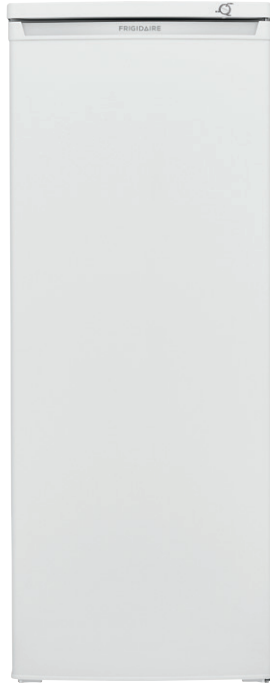


FFFU06M1TW

FREEZER

MANUAL DEFROST
6 CU. FT. UPRIGHT



AVAILABLE COLORS



White

PRODUCT DIMENSIONS

Height (Including Hinges) 56-13/16"

Width 21-3/4"

Depth (Including Door) 22-13/16"

SIGNATURE FEATURES

Fits More Places

Space-saving upright freezer perfect for small spaces.

5 Wire Shelves

Organize and conveniently store your favorite frozen foods with five wire shelves.

Adjustable Temperature Control

Easily adjust the temperature settings for your preferred needs.

FFFU06M1TW FREEZER

6 CU. FT. UPRIGHT

FRIGIDAIRE

FEATURES

| | |
|--------------------------------|-----------------|
| Door Handle Design | Integrated |
| Reversible Door | Yes |
| Automatic Door Closer | Yes |
| Leveling Legs | Yes |
| Lock with Pop-Out Key | |
| Defrost | Manual |
| Adjustable Temperature Control | Mechanical Dial |
| High-Temp Alarm | |
| Door Ajar Alarm | |
| Interior Lighting | |
| Full-Width Adjustable Shelves | |
| Full-Width Fixed Shelves | 5 Wire |
| Removable Trivet | |
| Mid-Level Baskets | |
| Lower Storage Basket | |
| Basket Dividers | |
| Full-Width Door Bins | |
| Fixed Door Racks | |
| Defrost Drain | |
| Power-On Light | |

CERTIFICATIONS

| | |
|------------|-----------|
| CSA Rating | Household |
|------------|-----------|

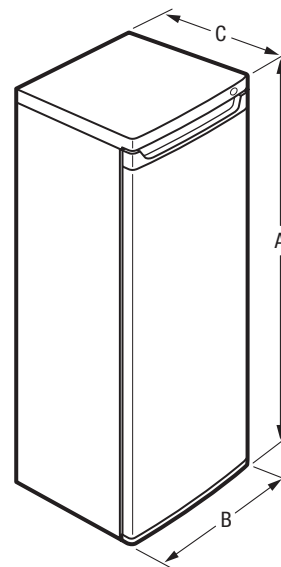
SPECIFICATIONS

| | |
|---|------------------|
| Total Capacity (Cu. Ft.) | 5.8 |
| Shelf Area (Sq. Ft.) | 1.23 |
| Annual Energy (kWh) | 281 |
| Annual Energy Cost (12/kWh) | \$33.72 |
| Power Cord Connection Location | Lower Right Rear |
| Voltage Rating | 120V/60Hz |
| Connected Load (kW rating) @ 120 Volts ¹ | .1 |
| Amps @ 120 Volts | 1.5 |
| Minimum Circuit Required (Amps) | 15 |
| Shipping Weight (Approx.) | 100 Lbs. |

¹An electrical supply with grounded three-prong receptacle is required. The power supply circuit must be installed in accordance with current edition of National Electrical Code (NFPA 70) and local codes & ordinances.

PRODUCT DIMENSIONS

| | |
|-------------------------------|-----------|
| A - Height (Including Hinges) | 56-13/16" |
| B - Width | 21-3/4" |
| C - Depth (Including Door) | 22-13/16" |
| Depth with Door Open 90° | 42-1/8" |

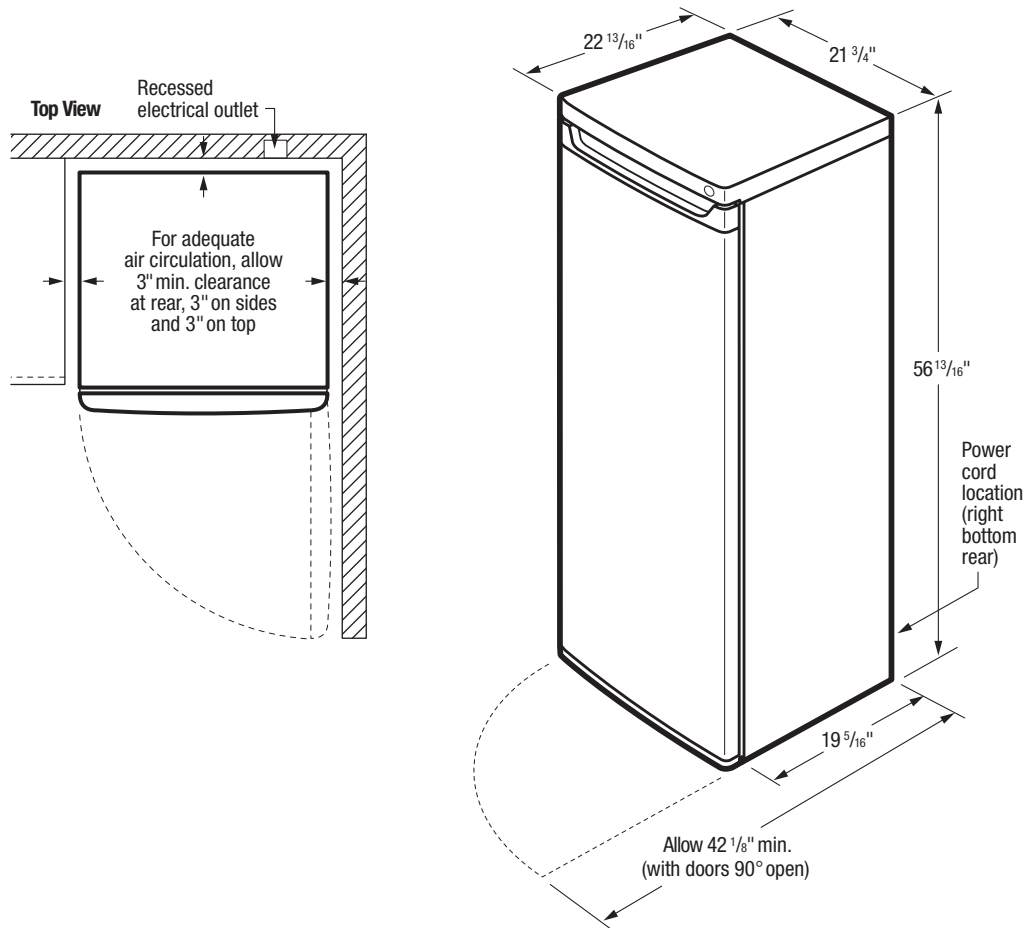


Note: For planning purposes only. Always consult local and national electric, gas and plumbing codes. Refer to Product Installation Guide for detailed installation instructions on the web at frigidaire.com / frigidaire.ca.
Specifications subject to change. Accessories information available on the web at frigidaire.com / frigidaire.ca

FRIGIDAIRE

USA • 10200 David Taylor Drive • Charlotte, NC 28262 • 1-800-FRIGIDAIRE • frigidaire.com
CANADA • 5855 Terry Fox Way • Mississauga, ON L5V 3E4 • 1-800-265-8352 • frigidaire.ca

FFFU06M1T 10/17
© 2017 Electrolux Home Products, Inc.



INSTALLATION SPECIFICATIONS

- Product Shipping Weight (approx.) - 100 Lbs.
- An electrical supply with grounded three-prong receptacle is required. The power supply circuit must be installed in accordance with current edition of National Electrical Code (NFPA 70) and local codes & ordinances.
- Voltage Rating - 120V/60Hz
- Connected Load (kW Rating) @ 120 Volts = 0.1 kW
- Amps @ 120 Volts = 1.5 Amps
- Always consult local and national electric codes.
- For adequate air circulation, allow 3" minimum clearance on all sides and top with 1" at bottom.
- Locate where surrounding air temperature will not exceed 110°F, to ensure optimum performance. (Temperatures 32°F and below will NOT affect operation.)
- All bottom corners of unit MUST rest firmly on solid level surface of hard material, same height as flooring. Surface must be strong and stable enough to support unit when fully loaded.
- Equipped with adjustable leveling legs to ensure unit is level, which is required in order to function properly.

