

STANDARD FEATURES



CHIMNEY HOODS

- Unique CircuFlow Ventilation System™ with centrifugal blower design prevents grease and contaminants from collecting in duct work for safe operation.
- Appropriate CFM specifications to perfectly match any Hestan cooking product for optimized fume and grease extraction.
- Baffle-less, variable speed blower CircuFlow Ventilation System™ collects 70% more grease than most competing models.

CircuFlow Ventilation System™



Variable speed blower



12 colors

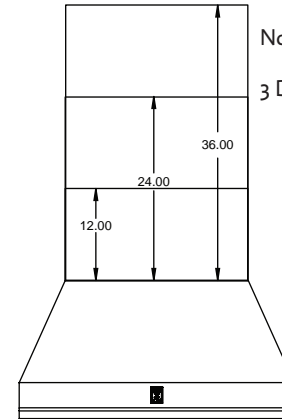
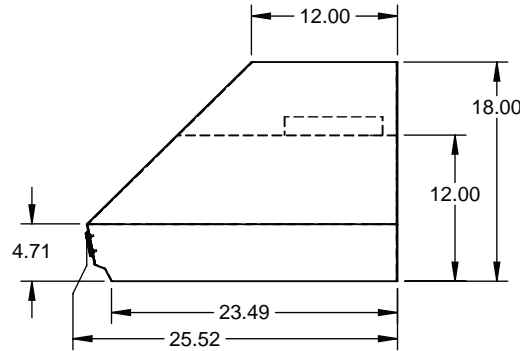
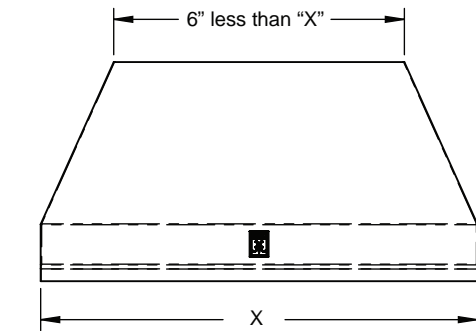
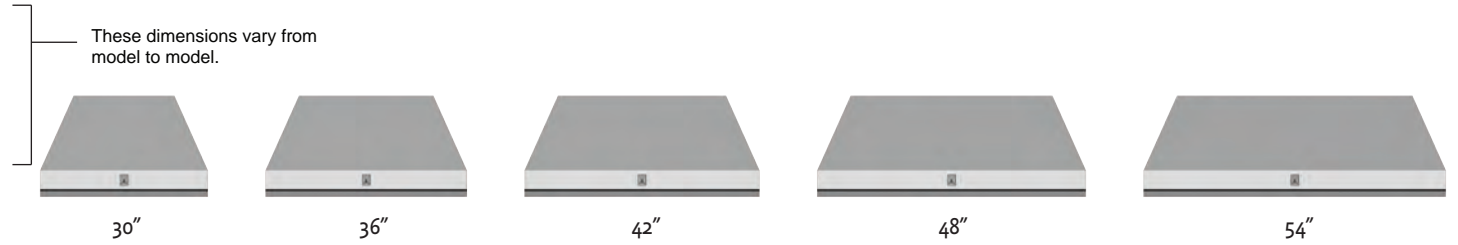
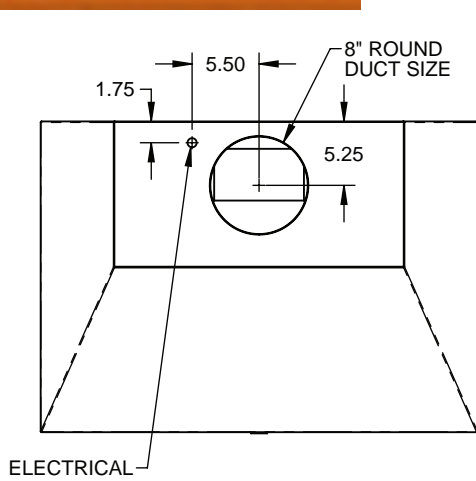


- Ultra quiet CircuFlow Ventilation System™ provides best-in-class air flow and extraction efficiency.
- Removable blower components are dishwasher-safe for easy cleaning.
- Optimized low-temp LED lighting for optimum illumination.
- Blower speed automatically increases when higher temperatures are detected and when full blower power is not needed the blower speed automatically lowers for even quieter operation.
- Marquise™ accented front face profile compliments design integrity.
- Chimney Widths (30", 36", 42", 48", 54")



OPTIONS & ACCESSORIES

- Available in Twelve (12) Hestan signature color finishes
- Duct Covers in (12) colors



Note: Duct Cover (KVDC) required for all Chimney Hoods
3 Duct Cover Heights - 12", 24", 36"

Hestan Indoor products are approved for indoor use only. Hestan Commercial Corporation reserves the right to change materials and specifications without notice.



| ALL Models | Description | Width Dimensions | | CFM | Volts | Amps | Hz | RPM | Sones | # Lights | Approx SHP WT (lbs) |
|------------|-------------|------------------|--|------|-------|------|----|------|-------|----------|---------------------|
| | | X (in.) | | | | | | | | | |
| KVC30 | 30" Chimney | 29.88 | | 600 | 115 | 4.0 | 60 | 1550 | 6.5 | 2 | 41 |
| KVC36 | 36" Chimney | 35.88 | | 600 | 115 | 4.0 | 60 | 1550 | 6.5 | 2 | 51 |
| KVC42 | 42" Chimney | 41.88 | | 900 | 115 | 6.0 | 60 | 1550 | 6.3 | 3 | 62 |
| KVC48 | 48" Chimney | 47.88 | | 900 | 115 | 6.0 | 60 | 1550 | 6.3 | 3 | 72 |
| KVC54 | 54" Chimney | 53.88 | | 1200 | 115 | 7.5 | 60 | 1550 | 6.6 | 4 | 83 |



CONTACT US: www.hestanhome.com phone 888.905.7463 3375 E. La Palma Ave., Anaheim, CA 92806