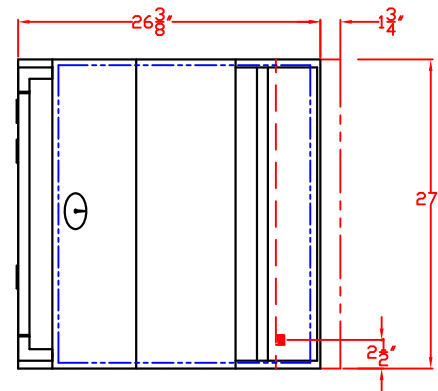
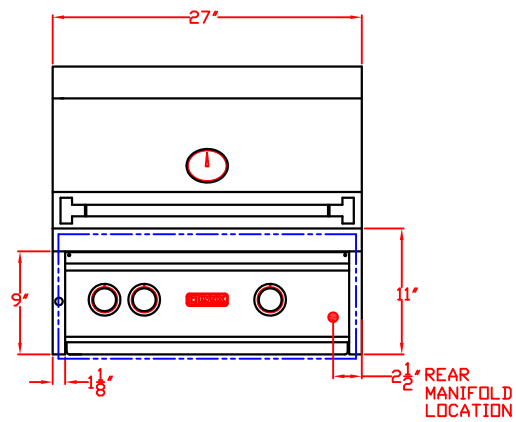


LYNX BUILT-IN 27"
W/ DIMENSIONS
ISLAND CUTOUT IN BLUE

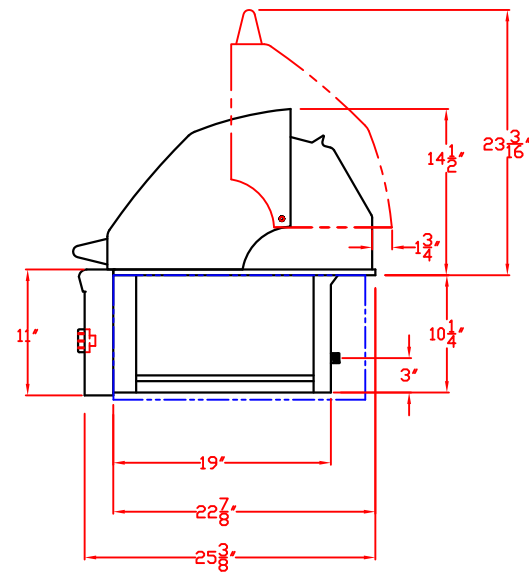
TOP VIEW



FRONT VIEW



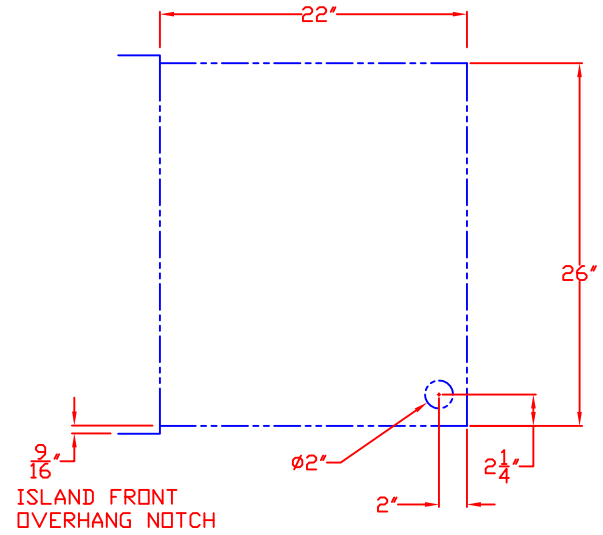
RIGHT SIDE VIEW



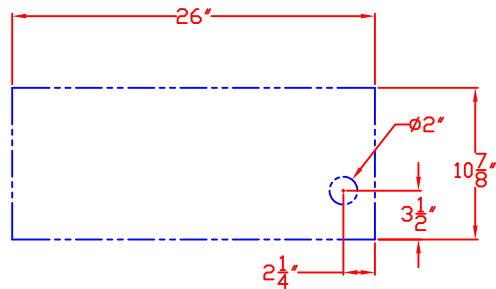
1/20/10

LYNX BUILT-IN 27" ISLAND CUTOUT

TOP VIEW



FRONT VIEW



SIDE VIEW

