

**Miele**

## 46" Extra-Slim Insert Hood

DA 2628 Stainless Steel



Shown: DA 2628 in Stainless Steel  
Please note: This information is subject to change

 [mieleusa.com](http://mieleusa.com)  
Specification Sheets TRS 09112018

## 46" Extra-Slim Insert Hood

SPECIFICATIONS	
Overall Unit Dimensions	46 <sup>7</sup> / <sub>16</sub> " (1180 mm) W x 13 <sup>1</sup> / <sub>2</sub> " (342 mm) H x 11 <sup>1</sup> / <sub>2</sub> " (293 mm) D
<b>Built-In</b>	
Minimum Opening Dimensions	45 <sup>7</sup> / <sub>8</sub> " (1165 mm) W x 12 <sup>5</sup> / <sub>8</sub> " (320 mm) H x 10 <sup>7</sup> / <sub>8</sub> " (276 mm) D
<b>Fan</b>	
Fan Speeds	4
Maximum CFM	625 CFM, (Reducing Collar is available to reduce Air flow to less than 400 CFM)
<b>Duct</b>	
Recommended Duct Diameter	6" (150 mm)
<b>Electrical</b>	
Electrical Requirements	120V, 60Hz, 15A
Power Cord	Molded NEMA 5-15 plug, 2.5 ft (0.75 m)
<b>Shipping</b>	
Shipping Weight	33 lbs (15 kg)
Shipping Dimensions	49 <sup>5</sup> / <sub>8</sub> " W x 16" H x 18 <sup>1</sup> / <sub>8</sub> " D
<b>Optional Accessories</b>	
CFM Reducing Collar	R2000
<b>Support</b>	
Call Miele	(800) 999-1360
Miele Website	<a href="http://www.mieleusa.com">www.mieleusa.com</a>
20/20 Link	<a href="http://2020technologies.com">2020technologies.com</a>

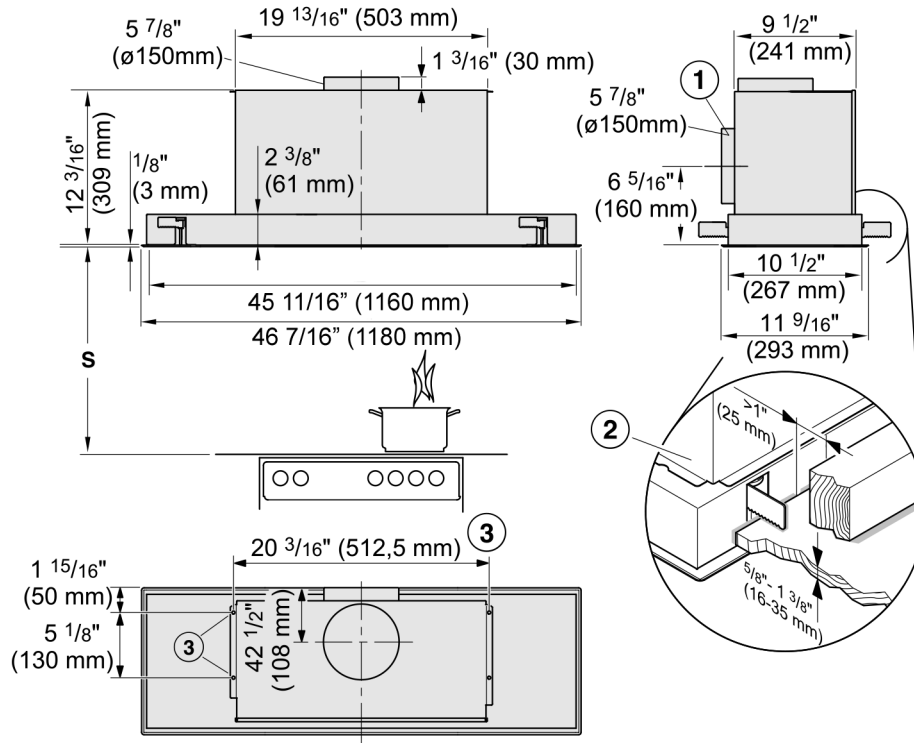


DA 2628  
Item 28262855USA

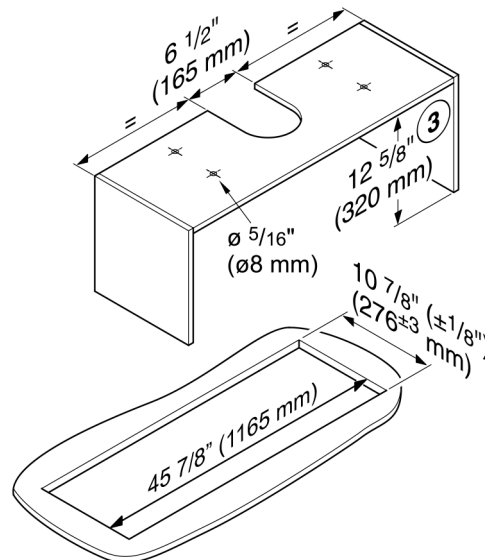
## 46" Extra-Slim Insert Hood

### INSTALLATION SPECIFICATIONS

#### Product Details



#### Niche/Cutout Details



- ① The ducting can also be connected at the back.
- ② The ventilation hood is secured in the cut-out by clamps. This requires that the installation surface is made of a solid material, such as wood. Make sure that the material is strong enough to bear the weight of the ventilation hood and the edge extraction panel. There must be a minimum distance of 1" (25 mm) between the areas around the clamps and any structures or components, such as struts or cables.
- ③ Alternatively, the ventilation hood can be secured to four fixing points on an interim shelf.

## 46" Extra-Slim Insert Hood

### INSTALLATION SPECIFICATIONS

#### Distance Between Cooktop and Ventilation Hood (S)

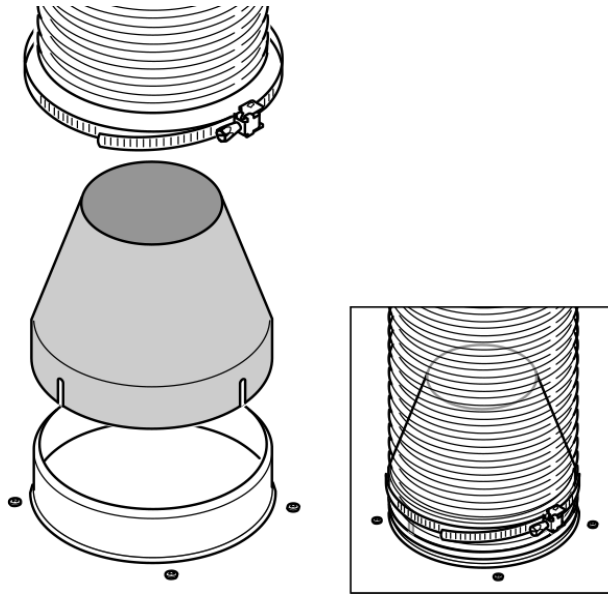
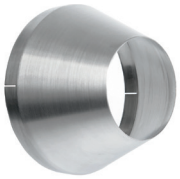
Provided a larger distance is not given by the manufacturer of the cooktop, follow the minimum safety distances between a cooktop and the bottom of the hood.

Please also observe the information contained in the "IMPORTANT SAFETY INSTRUCTIONS" section.

Cooking appliance	Minimum distance S	
	Miele appliance	Non-Miele appliance
Electric Cooktops	24" (610 mm)	
Electric Barbeques and Fryers	26" (660 mm)	
Multiburner Gas Cooktops ≤ 43,000 BTU/hr (12.6 kW), no burner > 15,000 BTU/hr (4.5 kW).	26" (660 mm)	30" (760 mm)
Multiburner Gas Cooktops ≤ 73,800 BTU/hr (21.6 kW), no burner > 16,500 BTU/hr (4.8 kW)	30" (760 mm)	
Multiburner Gas Cooktops > 73,800 BTU/hr (21.6 kW), or one of the burners > 16,500 BTU/hr (4.8 kW)	Not possible	
Single Burner Gas Cooktops ≤ 20,500 BTU/hr (6 kW)	26" (660 mm)	30" (760 mm)
Single Burner Gas Cooktops > 20,500 BTU/hr (6 kW) ≤ 27,600 BTU/hr (8.1 kW)	30" (760 mm)	
Single Burner Gas Cooktops > 27,600 BTU/hr (8.1 kW)	Not possible	

## 46" Extra-Slim Insert Hood

**R2000**  
(optional accessory)



If you would like to reduce the environmental impact of your ventilation system by limiting the CFM output the Reducing Collar can be installed. It reduces the air flow to less than 400 CFM. Check local building codes for maximum CFM requirements.