

LG LAUNDRY

WM3499HVA

Compact Front Load Washer & Dryer Combo

2.3 cu.ft. Capacity

Compact All-In-One Washer/Dryer Combo

14 Wash Programs

1,400 RPM

Ventless Condensing Drying

SmartThinQ® (Wi-Fi Enabled)

SmartDiagnosis™

Internal Heater

Allergiene™ Cycle

NeverRust™ Stainless Steel Drum

Available in Graphite Steel



Enjoy new ways to control your home with LG smart appliances

- Start the laundry while you're out shopping
- Get alerts when the cycle is finished
- Works with the LG SmartThinQ® app

SmartThinQ®



SUMMARY	
Capacity (cu.ft.)	2.3
Internal Heater	Yes
Steam	Yes
Width	24"
Color	Graphite Steel (V)
APPEARANCE	
Hard Buttons	Yes
Touch Buttons	Yes
Dial-A-Cycle™	Yes
ENERGY	
IMEF	2.0
IWF	6.0
WASHER/DRYER PROGRAMS	
No. of Programs	14
	Normal, Bulky/Large, Baby Wear, Perm. Press, Delicates, Hand Wash/Wool, Quick Wash, Tub Clean, Sanitary, Heavy Duty, Drain+Spin, Wash+Dry, Allergiene™, Downloaded
WASHER/DRYER OPTIONS	
No. of Options	9
	Prewash, *Wi-Fi, Delay Wash (Time Delay), Steam, *Heavy soil, Child Lock, *Signal, Add Garment, Timed Dry
WASH DETAILS	
Max RPM	1400
FABRIC CARE FEATURES	
TurboWash® 2.0 Technology	Yes
Steam Technology	Yes
Allergiene™ Cycle	Yes
Sanitary Cycle	Yes
ColdWash™ Option	Yes
SenseClean™ System	Yes
DRYER PROGRAMS	
Temperature Settings	Extra Hot, Hot, Warm, Cold, Tap Cold (All Cold Rinses)
Drying Levels	Time, More, Normal, Damp, Low Temp.
Manual Dry Times	120 min, 60 min, 30 min

CONVENIENCE FEATURES	
TrueBalance™ Anti-Vibration System	Yes
4 Tray Dispenser	Yes
End of Cycle Signal	Yes
LoadSense	Yes
Child Lock	Yes
Auto Suds Removal	Yes
Leveling Legs	Yes
Easy Loading Tilt™	Yes
SMARTTHINQ® TECHNOLOGY	
SmartDiagnosis™	Yes
Wi-Fi	Yes
MOTOR	
Motor Type	Inverter Direct Drive Motor
Axis	Horizontal
MATERIALS AND FINISHES	
NeverRust™ Stainless Steel Drum	Yes
All Available Colors	Graphite Steel (V)
POWER SOURCE	
Electrical Requirements	120V, 10 Amps
OPTIONS/ACCESSORIES	
Hose Included	Yes
DIMENSIONS	
Product (WxHxD)	24" x 33 1/2" x 25 1/4"
Depth with Door Open	45"
Carton (WxHxD)	26 5/32" x 34 1/2" x 27 7/8"
Weight (Product)	156.5
Weight (Carton)	165.3
LIMITED WARRANTY	
Parts and Labor	1 Year
Direct Drive Motor	10 Years
UPC CODES	
WM3499HVA (Graphite Steel)	048231026741

WM3499HVA

Compact Front Load Washer & Dryer Combo

QUICK INSTALL & CLEARANCES

For full installation directions/clearances please refer to the corresponding User Manual and Installation Guide.

DIMENSIONS/CLEARANCES/WEIGHTS

A Width	24"
B Height	33 1/2"
C Depth	25 1/4"
D Depth with Door Open	45"
Carton Dimensions (WxHxD)	26 5/32" x 34 1/2" x 27 7/8"

ENERGY / RATINGS

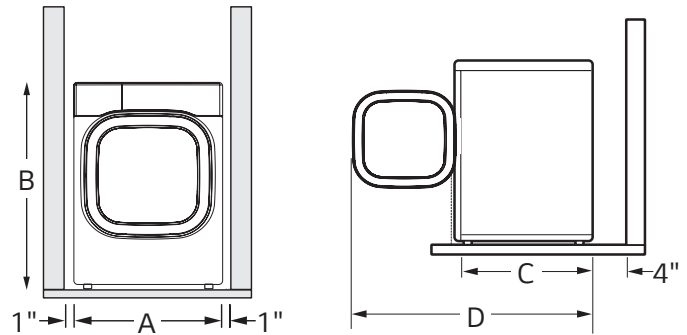
IMEF	2.0
IWF	6.0
Electrical Requirements	120V, 10 Amps

ELECTRICAL REQUIREMENTS

- The washer should be plugged into a 120-VAC, 60-Hz grounded 3-prong outlet. Plug in the washer. Improper connection of the equipment-grounding conductor can result in risk of electric shock. Check with a qualified electrician or service technician if you are in doubt as to whether the appliance is properly grounded. Do not modify the plug provided with the appliance. If it does not fit the outlet, have a proper outlet installed by a qualified electrician. Failure to follow these warnings can cause serious injury, fire, electrical shock, or death.
- The power outlet must be within 60 inches (1.5 m) of either side of the washer.
- The appliance and outlet must be positioned so that the plug is easily accessible.
- Do not overload the outlet with more than one appliance.
- The outlet must be grounded in accordance with current wiring codes and regulations.
- Time-delay fuse or circuit breaker is recommended.
- It is the personal responsibility and obligation of the product owner to have a proper outlet installed by a qualified electrician.



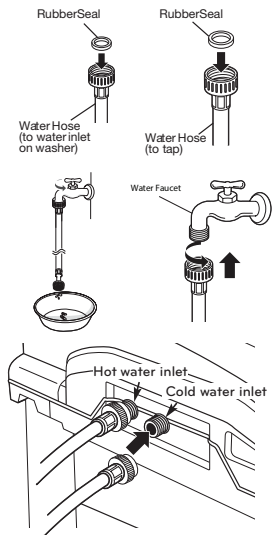
DIMENSIONS AND CLEARANCES



- Install the washing machine on a solid floor that is strong and rigid enough to support the weight of the washing machine, even when fully loaded, without flexing or bouncing. If the floor has too much flex, you may need to reinforce it to make it more rigid. If the floor is not solid, it may cause severe vibration and noise.

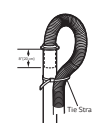
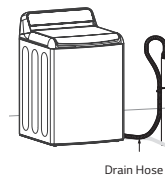
CONNECTING THE WATER LINES

- LG recommends the use of LG hoses. Any leaking, property damage, or damage to the washing machine caused by an improper installation or by the use of non-LG hoses is not covered under the terms of the LG warranty and is the sole responsibility of the customer and/or an installer.
- Water supply pressure must be between 20 psi and 120 psi (138-827 kPa). If the water supply pressure is more than 120 psi, a pressure reducing valve must be installed.
- Inspect the threaded fitting on each hose and make sure there is a rubber seal in place in both ends of each hose.
- Connect the water supply hoses to the HOT and COLD water faucets tightly by hand and then tighten another 2/3 turn with pliers.
- Always run a gallon or two of water through each inlet hose to flush dirt, scale and other debris out of the water lines. Doing so will help prevent future problems with clogged filter screens, and will also allow you to verify which water line is hot and which is cold.
- Attach the hot water line to the hot water inlet on the back of the washer. Attach the cold water line to the cold water inlet on the back of the washer. Tighten the fittings securely. Turn ON both faucets all the way and check for leaks at both ends of the hoses.



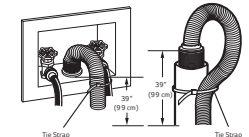
CONNECTING THE DRAIN HOSE

- The drain hose should always be properly secured. Failure to properly secure the drain hose can result in flooding and property damage.
- The drain must be installed in accordance with any applicable local codes and regulations.
- Make sure that the drain hose is not stretched, pinched, crushed, or kinked.
- Normal height of the end of the hose should be approximately 35"-47" (0.9-1.2 m) from the floor.
- Do not install the end of the drain hose lower than 29 in. (73.7 cm) or higher than 96 in. (243.8 cm) above the bottom of the washer or more than 60 in. (152.4 cm) away from the washer.
- Never create an airtight seal between the hose and the drain with tape or other means. If no air gap is present, water can be siphoned out of the tub resulting in poor wash/rinse performance or clothing damage.



STANDPIPE Option

- Do not insert the end of the drain hose into the standpipe more than 8 inches (20cm). **Doing so can cause siphoning, odors, or improper draining.**



LAUNDRY TUB Option

- Do not use this drain hose with a floor drain. The end of the drain hose must be at least 29 inches above the floor for proper draining to occur.