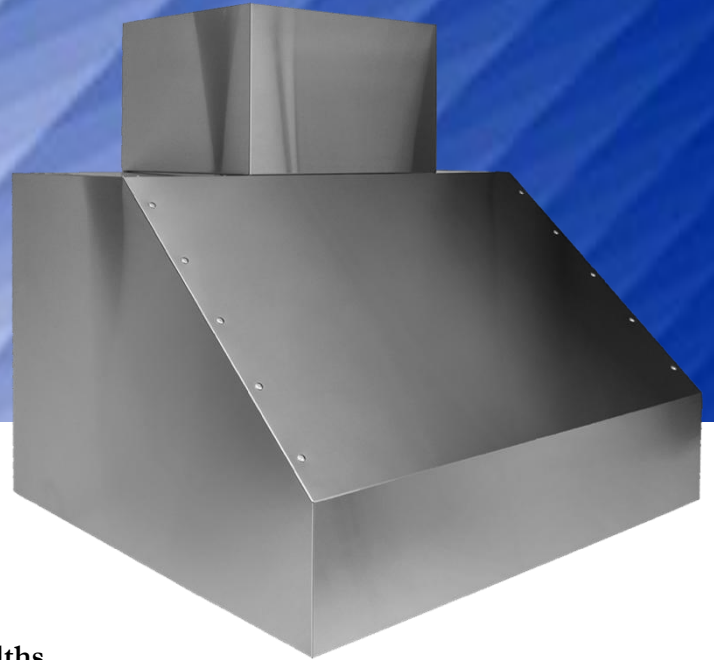


7200 SERIES BARBECUE GRILL HOODS

Enhance your BBQ Grilling and capture the professional chef's experience.

Engineered for Beauty and Performance...



DISTINCTIVE DESIGN:

- Simplicity of Design and Function
- Available in 36", 42", 48", 54", 60", 66" and 72" widths
- Generously proportioned 32" depth of hood provides an Exceptional Capture Area
- Design of the Stainless Steel Commercial Baffle Filters adds a Professional Image
- Matching Telescopic Stainless Steel Duct Covers are available for single and double exhaust hoods
- New models have 15" deep top dimensions to improve Aesthetics and Performance

ENDURING QUALITY:

- Powerful Internal Blowers Deliver 1200CFM or 2300CFM
- Heavy gauge commercial stainless steel (#304 grade with #4 brush finish)
- Four 12" by 14" baffle filters for Enhanced Performance (six or eight filters on larger models)
- Dimmable 50 watt halogen lights
- Optional In-line Blower(s) Deliver 1266CFM

EASY INSTALLATION & CLEANING:

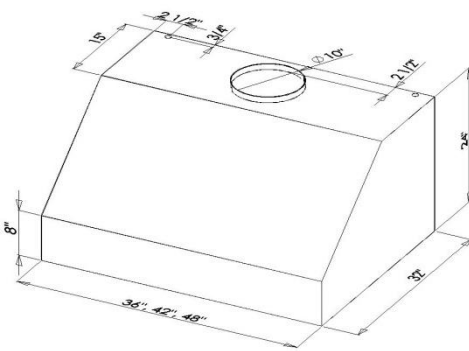
- Remote blower models are pre-wired for use with most in-line or exterior blowers
- Hoods with internal blowers are all pre-wired and Ready for Installation
- Top only 10" round discharge, two 10" on larger models
(for rear discharge use a 10" 90° elbow, not provided)
- Durable, dishwasher safe commercial stainless steel baffle filters
- All stainless steel exterior design is Easy to keep Clean and Eliminates grease traps

Our latest BBQ Grill Hood features cutting-edge design for maximum performance and beautiful style to bring you the ultimate barbecuing experience.

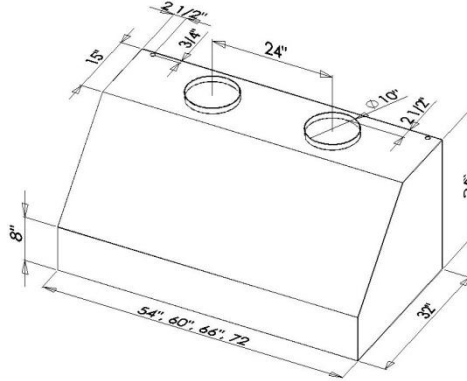
TRADE-WIND

7200 SERIES BARBECUE GRILL HOODS

A. Range Hood



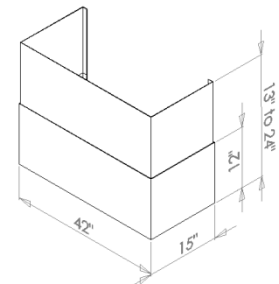
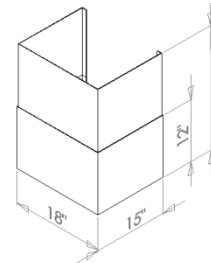
B. Range Hood



C. Duct Cover (sold separately for ceilings from 9' to 10')

-DC7201S-
(Single Duct)

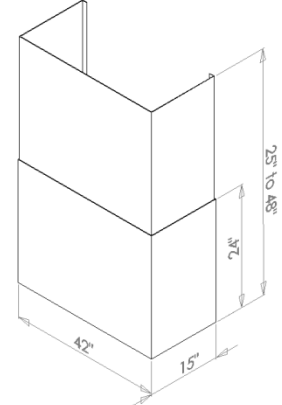
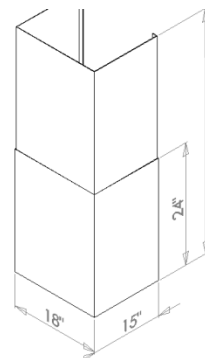
-DC7201D-
(Dual Duct)



D. Duct Cover (sold separately for ceilings from 10' to 12')

-DC7200S-
(Single Duct)

-DC7200D-
(Dual Duct)



	Model	Size	CFM	3-Speed Motors	In-Line or Remote Blower	Halogen Lights	SS Baffle Filters	Top Discharge	Variable Light Control
A	7236	36"			X	X	X	X	X
A	7236-12	36"	1200	X		X	X	X	X
A	7242	42"			X	X	X	X	X
A	7242-12	42"	1200	X		X	X	X	X
A	7248	48"			X	X	X	X	X
A	7248-12	48"	1200	X		X	X	X	X
B	7254	54"			X	X	X	X	X
B	7254-23	54"	2300	X		X	X	X	X
B	7260	60"			X	X	X	X	X
B	7260-23	60"	2300	X		X	X	X	X
B	7266	66"			X	X	X	X	X
B	7266-23	66"	2300	X		X	X	X	X
B	7272	72"			X	X	X	X	X
B	7272-23	72"	2300	X		X	X	X	X

- All dimensions are nominal +/- 1/8"
- All models exhaust vertically through a 10" round duct (two 10" on larger models)
(For rear discharge use a 10" 90° elbow, not provided)

Trade-Wind Manufacturing, LLC® has a policy of continuous improvements and reserves the right to modify (at any time without notice) any or all of its products, features, designs, components and specifications. For exact dimensions, see the installation instruction included with the product.

For more information please contact your dealer or your Trade-Wind® representative.



TRADE-WIND
800 West Grant Street Phoenix, AZ 85007
1-800-955-5737
602-900-8500
t-wusa.com

