

SUMMIT



COMPACT REFRIGERATOR-FREEZER with Automatic Defrost

Instruction Manual

Model FF412ES



Model FF433ES



**BEFORE USE, PLEASE READ AND FOLLOW
ALL SAFETY RULES AND OPERATING INSTRUCTIONS**

Write Model and Serial Numbers here:

FELIX STORCH, INC.
770 Garrison Avenue
Bronx, NY 10474
www.summitappliance.com

TABLE OF CONTENTS

Technical Information 1

Important Safeguards 2 – 3

Location of Parts 4

Installation 5 – 7

Test Run 5

Reversing the Door Swing 6 – 7

Operation 8

Temperature Control

Ice Cube Tray

Defrosting 9

Cleaning and Maintenance 10

Limited Warranty 11

TECHNICAL INFORMATION

Models: FF412ES (white)
 FF433ES (black)

Type: Refrigerator-freezer

Capacity: 3.6 cubic feet

Electrical Input: 115V AC / 60Hz

Rated Current: 0.8A

Energy Consumption: 262 kWh/yr

Defrost Type: Automatic

Energy Star approved: Yes

Refrigerant: R134a

Installation: Free-standing

Shipping Weight: 95.0 lbs

Unit Dimensions: 18.75"W x 20.25"D x 33.5"H

IMPORTANT SAFEGUARDS

Your safety and the safety of others are very important to us. We have provided several important safety messages in this manual. Always read and obey all safety messages. Serious injury or even death can result if you do not follow these instructions. To reduce the risk of fire, electrical shock or injury when using the refrigerator, follow basic precautions, including the following:



- Plug into a grounded 3-prong outlet.
- Do not remove grounding prong, nor use a 3/2 adapter.
- Do not use an extension cord.
- This appliance is designed for free-standing installation only. It should not be recessed or built in.
- It is recommended that a separate circuit, serving only your refrigerator-freezer, be provided. Use receptacles that cannot be turned off by a switch or pull chain.
- Disconnect power before servicing.
- After service, replace all parts and panels before operating.
- Never clean refrigerator parts with flammable fluids. These fumes can create a fire hazard or explosion. And do not store or use gasoline or other flammable items in the area of this or any appliance, as the fumes can create a fire hazard or explosion.
- Do not use flammable sprays in the vicinity of this appliance.
- When replacing a light bulb, unplug the appliance or turn off power at the circuit breaker or fuse box in order to avoid touching a live wire. Turning the thermostat to **OFF** turns off the compressor, but does not disconnect power to other electrical components.
- Do not connect or disconnect the electric plug when your hands are wet.
- Never unplug your appliance by pulling on the power cord. Always grip the plug firmly and pull straight out from the socket.
- Be careful not to roll over or damage the cord when moving the appliance.
- If the power cord is damaged, it must be replaced by the manufacturer, its service agent or similarly qualified persons in order to avoid a hazard.
- Unplug the refrigerator or disconnect power before making repairs or cleaning. Failure to do so can result in electrical shock or death.
- Do not attempt to repair or replaced any part of your refrigerator-freezer unless it is specifically recommended in this manual. All other servicing should be referred to a qualified technician.

DANGER! RISK OF CHILD ENTRAPMENT !

Old appliances can represent a suffocation hazard to children.

- *Remove door(s) from your old appliance.*
- *Leave shelves or baskets in place.*
- *If an old appliance contains refrigerants, it must be recycled by a licensed service or disposal agency.*



WARNING

- **This unit is not designed to operate in enclosed spaces. When placing your unit, make sure you allow adequate airflow on all sides.**
- Use two or more people to move and install this appliance. Failure to do so can result in back or other injury.
- To ensure proper ventilation for your refrigerator-freezer, the front end of the unit must be completely unobstructed. Choose a well-ventilated area with temperatures above 60°F (16°C) and below 90°F (32°C). This unit must be installed in an area protected from the elements, such as wind, rain, water spray or drips.
- This appliance should not be located next to ovens, grills or other sources of high heat.
- The appliance must be installed with all electrical, water and drain connections in accordance with state and local codes. A standard electrical supply (115 V AC only, 60 Hz), properly grounded in accordance with the National Electrical Code and local codes are ordinances is required.
- Do not pinch, knot or bend the power cord in any manner.
- The fuse or circuit breaker size should be 15 amperes.
- It is important that the appliance be leveled in order to work properly. You may need to make several adjustments to level it.
- Check for leaks after connection.
- Never allow children to operate, play with or crawl inside the refrigerator.
- This appliance is not intended for use by persons (including children) with reduced physical, sensory or mental capabilities, or lack of experience and knowledge, unless they have been given supervision or instruction concerning use of the appliance by a person responsible for their safety.
- **IMPORTANT:** Do not use mechanical devices or other means to accelerate the defrosting process, other than those recommended by the manufacturer.
- **IMPORTANT:** Do not damage the refrigerant circuit.
- **IMPORTANT:** Do not use electrical appliances inside the food storage compartments of the appliance, unless they are of the type recommended by the manufacturer.
- Do not use solvent-based cleaning agents or abrasives on the interior. These cleansers may damage or discolor the interior.
- Do not use this appliance for other than its intended purpose.

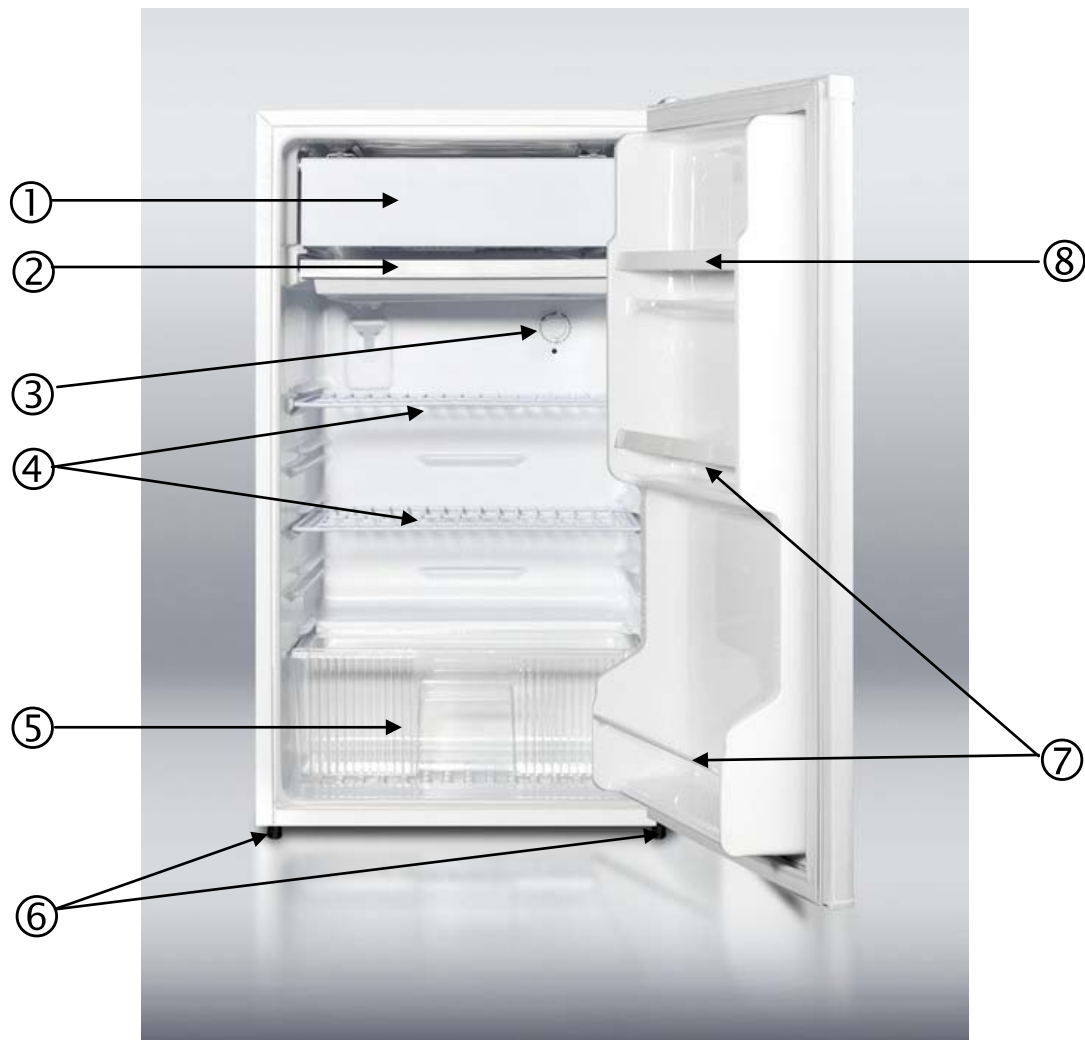
If your electricity goes off, follow this procedure:

- Call your power company to see how long the power will be out.
- If service is to be interrupted for less than 24 hours, keep the appliance closed as much as possible. This will help keep food from spoiling.

If service is to be interrupted for more than 24 hours, remove food and store in a refrigerated food locker or other refrigerator.

– SAVE THESE INSTRUCTIONS –

LOCATION OF PARTS



1. Freezer compartment – plastic ice cube tray included
2. Drip tray – catches melt water during defrosting
3. Temperature control knob – rotate this to adjust refrigerator temperature and to defrost
4. Slide-out shelves – odor resistant, rustproof, plastic-coated steel
5. Crisper with glass cover – keeps vegetables fresh
6. Adjustable feet – help to level the refrigerator
7. Bottle racks
8. Rack for small items

INSTALLATION

To use the refrigerator-freezer with the most efficiency and safety, select a suitable place to install it according to the following guidelines:

1. This appliance is designed for free-standing installation only and should not be recessed or built in.
2. The appliance should be installed on a sturdy, level floor or counter. If the floor is not quite level, adjust the front feet of the unit.
3. Allow at least 4 inches of clearance at each side of the refrigerator, at the top and between the back and the wall behind.
4. Avoid any direct sunlight, heat or moisture.
5. This appliance is equipped with a three-prong plug and is grounded to minimize electrical hazards. To make it effective, the refrigerator-freezer must be plugged into a grounded electrical socket.
6. Do not use an extension cord.

Test Run

Before using the refrigerator-freezer, clean it and make a test run to see if it follows the behavior described here. If not, check the electrical supply. If the cause of the trouble cannot be located, contact your SUMMIT dealer.

1. Set the Temperature Control Knob at the **OFF** position and then plug the power cord into an electrical outlet of 115 volts, 60Hz. The compressor should not run.
2. Set the Temperature Control Knob at the **MAX** position and let the refrigerator operate for 20 minutes. The freezer compartment should get slightly frosted and the compressor should run smoothly with no noise but a soft hum.
3. Then rotate the Temperature Control Knob counter-clockwise toward the **MIN** position. Before the pointer of the knob reaches **MIN**, the compressor should turn off.

ATTENTION

Your appliance is equipped with a special protective thermostat control device. If the unit is turned off or unplugged, **YOU MUST ALLOW THREE (3) MINUTES BEFORE RESTARTING OR REPLUGGING THE UNIT.**

The unit will not start if you attempt to restart it in less than three (3) minutes.

Reversing the Door Swing

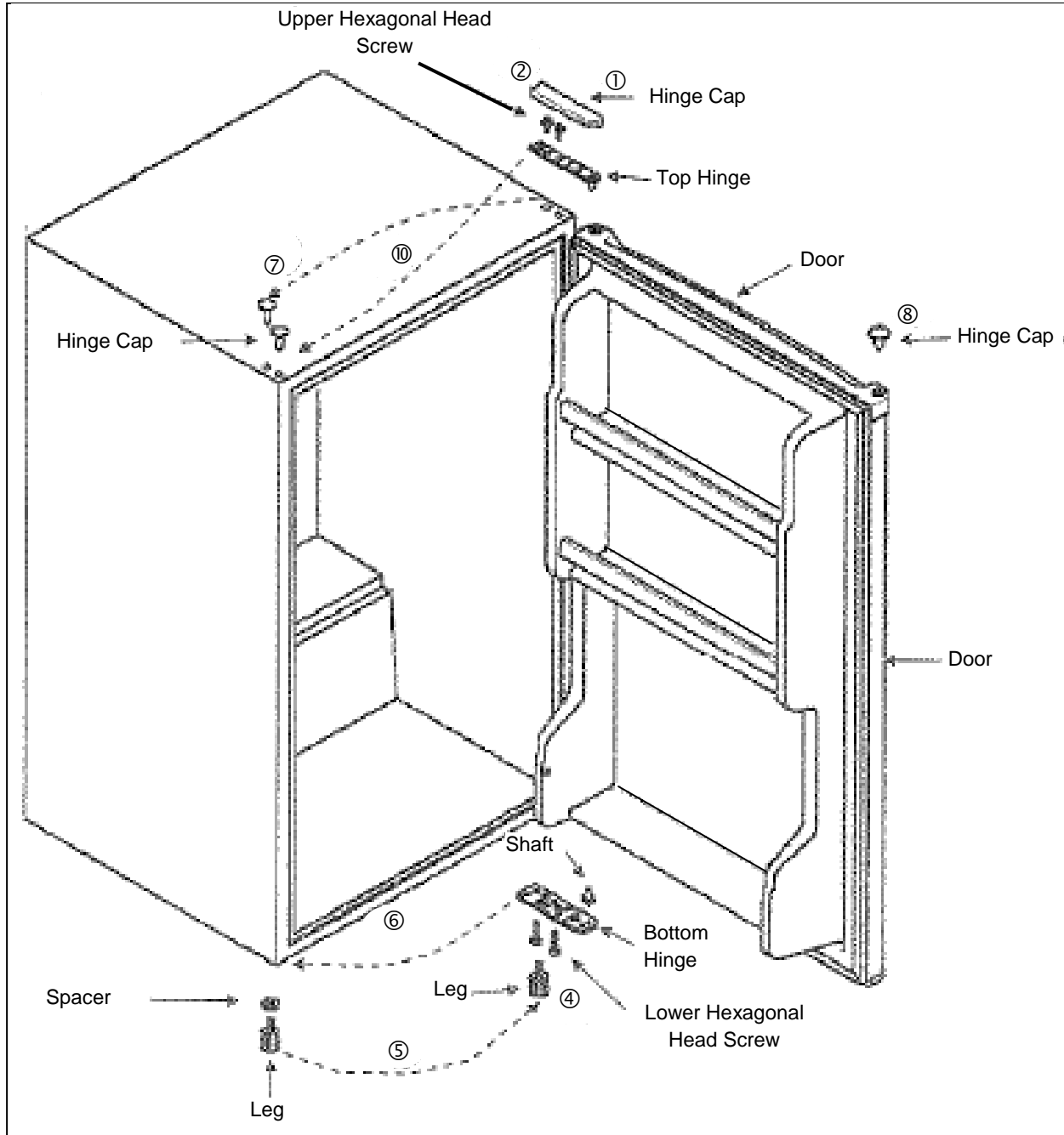
Refer to the Disassembly Diagram on page 7 and change the door hinges following this procedure: (The numbers in the diagram indicate the procedure order in the instructions.)

1. Remove the hinge cap by twisting it off.
2. Remove the upper hexagonal head screws. The refrigerator door can now be removed.
3. Tilt the refrigerator back or lay it on its back for steps 4, 5 and 6. Use a pad or blanket to protect the floor and to avoid scratching the painted finish.
4. Remove the leveling legs by turning them counter-clockwise. Remove the lower hexagonal head screws, two on the hinge side and one near the front corner of the other side.
5. Attach the left side leg spacer to the other side hole which is positioned symmetrically.
6. Attach the bottom hinge symmetrically to the other side of the cabinet.
7. Remove the upper hinge plastic pins and insert them in the holes from which the screws were removed in procedure 2.
8. Take off the hinge collar caps using a screwdriver and insert them in the hinge collar on the opposite side.
9. Attach the shaft to the refrigerator door. Attach the door to the bottom hinge and secure them with the screws from procedure 4.
10. Attach the upper hinge to the refrigerator door. Do not tighten the screws completely.
11. The direction in which the door opens has now been changed. However, the following points should be checked:
 - a. Make sure the door is on straight.
 - b. Make sure there is no space between the door gasket and the refrigerator unit itself when the door is closed.
 - c. Make sure the gasket on the hinge side is not caught between the door and the unit when the door is opened or closed. (If the door is forced closed when the gasket is caught, the gasket may be damaged.)

When checking the above points, if it is discovered that the door is not installed properly (this is apt to happen on the first try), loosen the screws holding the upper hinge, straighten the door and tighten the screws slowly with the socket wrench. After making sure the door is installed correctly, tighten all the screws holding the hinge. If they are not tightened, the door may slip out of position or there may be an opening between the door and the unit.

12. Stand the unit back in the upright position.

Disassembly Diagram for Reversing the Door Swing



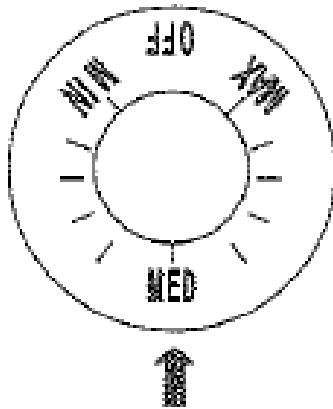
OPERATION

Temperature Control

The temperature in the refrigerator compartment can be adjusted colder or warmer by turning the Temperature Control Knob. Colder temperatures can be achieved by turning the knob clockwise toward the **MAX** position. Warmer temperatures can be selected by turning the knob counter-clockwise toward the **MIN** position.

The refrigerator temperature will vary depending on the quantity of food stored and on the frequency with which the door is opened. Set the Control Knob at the **MAX** position only when ice cubes are needed in a hurry.

This appliance may turn on and off more frequently than regular-size refrigerators. This is normal for a compact refrigerator.



*Normally the Temperature Control Knob should be set at the **MED** position.*

Ice Cube Tray

The ice cube tray is flexible. Twist the tray to remove ice cubes.

Do not use boiling water or a metal instrument such as a knife or screw driver to remove the ice cube tray because this could damage plastic parts or the evaporator.

DEFROSTING

The automatic defrost timer must be set prior to the operation of the refrigerator-freezer.

1. Plug the power cord into a 115 volt electric power outlet.
2. Set the timer to local time:
 - a. Using a pen or other similar nonconductive object, push the black button and hold for three seconds until the LED illuminates.
 - b. Set the timer to local time by pushing the black button following the instructions in the table below:

NOTE: This step must be completed within 10 seconds once the LED illuminates.

Local Time	1:00 - 2:59	3:00 - 4:59	5:00 - 6:59	7:00 - 8:59	9:00 - 10:59	11:00 - 12:59	13:00 - 14:59	15:00 - 16:59	17:00 - 18:59	19:00 - 20:59	21:00 - 22:59	23:00 - 0:59
Setting Time	2:00	4:00	6:00	8:00	10:00	12:00	14:00	16:00	18:00	20:00	22:00	24:00
Switch Pushing Times	1	2	3	4	5	6	7	8	9	10	11	12

- c. Once the time is set, the LED will blink the number of times the knob was pushed.

Example: If the local time is 16:00 at the time of the installation, the following procedure would be followed:

- a. Push the black button and hold for three seconds until the LED illuminates.
 - b. Then push the black button 8 consecutive times within 10 seconds.
 - c. Confirm that the LED blinks 8 times.

After the timer is set, the refrigerator-freezer will defrost automatically between 1:00AM and 4:00AM daily.

CLEANING AND MAINTENANCE

Turn off your refrigerator-freezer and remove all food, shelves, trays, etc. Wash interior liner with a solution of two tablespoons of baking soda and a quart of warm water. Then rinse and wipe it out. Do not use soaps, detergents, scouring powders, spray cleaners or the like for cleaning the interior liner, as these may cause odors in the refrigerator compartment.

Wash the ice cube tray, drip tray and shelves in a mild detergent solution and dry with a soft cloth.

Wipe the exterior surface with a soft cloth dampened with soapy water and dry it with a soft cloth. Normal appliance spray cleaners may be used for the exterior only.

Use only mild soap and water to clean the door gasket.

Never use acid, chemical thinners, gasoline, benzene or the like to clean any part of the refrigerator. Boiling water and benzene may deform or damage the plastic parts.

Your SUMMIT refrigerator-freezer does not require any maintenance.

LIMITED WARRANTY

ONE-YEAR LIMITED WARRANTY

Within the 48 contiguous United States, for one year from the date of purchase, when this appliance is operated and maintained according to instructions attached to or furnished with the product, warrantor will pay for factory-specified parts and repair labor to correct defects in materials or workmanship. Service must be provided by a designated service company. Outside the 48 states, all parts are warranted for one year from manufacturing defects. Plastic parts, shelves and cabinets are warranted to be manufactured to commercially acceptable standards, and are not covered from damage during handling or breakage.

5-YEAR COMPRESSOR WARRANTY

1. The compressor is covered for 5 years.
2. Replacement does not include labor.

ITEMS WARRANTOR WILL NOT PAY FOR:

1. Service calls to correct the installation of your appliance, to instruct you how to use your appliance, to replace or repair fuses or to correct wiring or plumbing.
2. Service calls to repair or replace appliance light bulbs or broken shelves. Consumable parts (such as filters) are excluded from warranty coverage.
3. Damage resulting from accident, alteration, misuse, abuse, fire, flood, acts of God, improper installation, installation not in accordance with electrical or plumbing codes, or use of products not approved by warrantor.
4. Replacement parts or repair labor costs for units operated outside the United States.
5. Repairs to parts or systems resulting from unauthorized modifications made to the appliance.
6. Expenses for travel and transportation for product service in remote locations.
7. The removal and reinstallation of your appliance if it is installed in an inaccessible location or is not installed in accordance with published installation instructions.

DISCLAIMER OF IMPLIED WARRANTIES - LIMITATION OF REMEDIES

CUSTOMER'S SOLE AND EXCLUSIVE REMEDY UNDER THIS LIMITED WARRANTY SHALL BE PRODUCT REPAIR AS PROVIDED HEREIN. IMPLIED WARRANTIES, INCLUDING WARRANTIES OF MERCHANTABILITY OR FITNESS FOR A PARTICULAR PURPOSE, ARE LIMITED TO ONE YEAR. WARRANTOR SHALL NOT BE LIABLE FOR INCIDENTAL OR CONSEQUENTIAL DAMAGES. SOME STATES DO NOT ALLOW THE EXCLUSION OR LIMITATION OF INCIDENTAL OR CONSEQUENTIAL DAMAGES, OR LIMITATIONS ON THE DURATION OF IMPLIED WARRANTIES OF MERCHANTABILITY OR FITNESS, SO THESE EXCLUSIONS OR LIMITATIONS MAY NOT APPLY TO YOU. THIS WARRANTY GIVES YOU SPECIFIC LEGAL RIGHTS AND YOU MAY ALSO HAVE OTHER RIGHTS, WHICH VARY FROM STATE TO STATE.

WARNING! This product may contain chemicals known to the state of California to cause cancer or birth defects or other reproductive harm. For more information, visit: www.summitappliance.com/prop65

Chemicals known by the manufacturer to be present in this product in concentrations higher than threshold limits: NONE.

FELIX STORCH, INC.
770 Garrison Avenue
Bronx, NY 10474
Phone: (718) 893-3900
Fax: (844) 478-8799
www.summitappliance.com

The logo for Summit Appliance, featuring the word "SUMMIT" in a bold, blocky, sans-serif font. The letters are black with a white outline, and the "I" is slightly taller than the other letters.

For parts and accessory ordering,
troubleshooting and helpful hints, visit:
www.summitappliance.com/support