

COASTER[®]
FINE FURNITURE

215731Q (B1 - B3)

QUEEN SIZE BED

**ASSEMBLY INSTRUCTIONS
COASTER FINE FURNITURE**



www.coastercompany.com

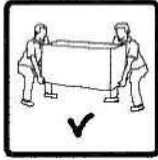
ASSEMBLY TIPS:

1. Remove hardware from box and sort by size.
2. Please check to see that all hardware and parts are present prior to start of assembly.
3. Please follow attached instructions in the same sequence as numbered to assure fast & easy assembly.

Warning!



1. Don't attempt to repair or modify parts that are broken or defective. Please contact the store immediately.
2. This product is for home use only and not intended for commercial establishments.



ASSEMBLY TIME

20 MINUTES

PARTS IDENTIFICATION

B1 (BOX 1)

	PART NAME	FIGURE	QTY
A	HEADBOARD PANEL		1 PC
B	LEFT HEADBOARD LEG		1 PC
C	RIGHT HEADBOARD LEG		1 PC

B2 (BOX 2)

D	FOOTBOARD		1 PC
----------	-----------	--	------

B3 (BOX 3)

E	BED RAIL		2 PCS
F	BED SLAT		4 PCS
G	BED SLAT SUPPORT WITH LEVELER		4 PCS
HB	215731Q (B1) FROM BOX 1 HEADBOARD COMPLETE		1 PC
D	215731Q (B2) FROM BOX 2 FOOTBOARD		1 PC

ASSEMBLY TIPS:





1. Remove hardware from box and sort by size.
2. Please check to see that all hardware and parts are present prior to start of assembly.
3. Please follow attached instructions in the same sequence as numbered to assure fast & easy assembly.

Warning!

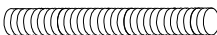



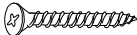
1. Don't attempt to repair or modify parts that are broken or defective. Please contact the store immediately.
2. This product is for home use only and not intended for commercial establishments.

HARDWARE IDENTIFICATION

Z - B1 (BOX 1) - HARDWARE PACK IS LOCATED IN 215731Q (B1)

	HARDWARE NAME	FIGURE	QTY
1	BOLT (5/16" x 38mm - RBW)		8 PCS
2	LOCK WASHER (5/16" - RBW)		8 PCS
3	FLAT WASHER (5/16" x 19 x 1.5mm - RBW)		8 PCS
4	ALLEN WRENCH (4mm - RBW)		1 PC

Z - B3 (BOX 3)- HARDWARE PACK IS LOCATED IN 215731Q (B3)

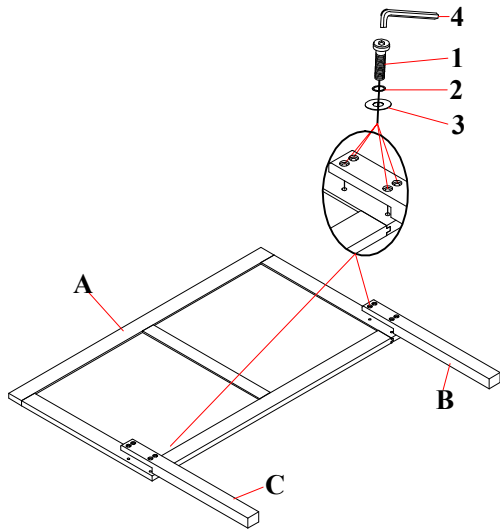
5	THREADED BOLT (5/16" x 75mm - RBW)		8 PCS
6	U-SQUARE WASHER (25 x 15 x 2mm - RBW)		8 PCS
7	HEX NUT (5/16" x 17mm - RBW)		8 PCS
8	WRENCH (13mm - RBW)		1 PC
9	FLAT HEAD SCREW (4 x 32mm - RBW)		8 PCS

**NOTE: PHILLIPS HEAD SCREW DRIVER IS REQUIRED IN THE ASSEMBLY PROCESS;
HOWEVER, MANUFACTURER DOES NOT PROVIDE THIS ITEM.**

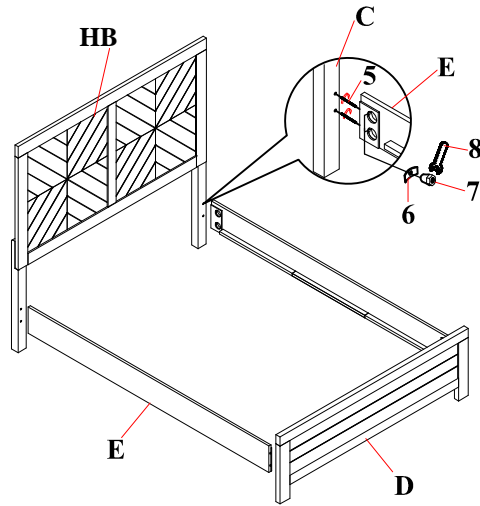
215731Q (B1) - BOX 1

215731Q (B1 - B3) - BOX 1 TO BOX 3

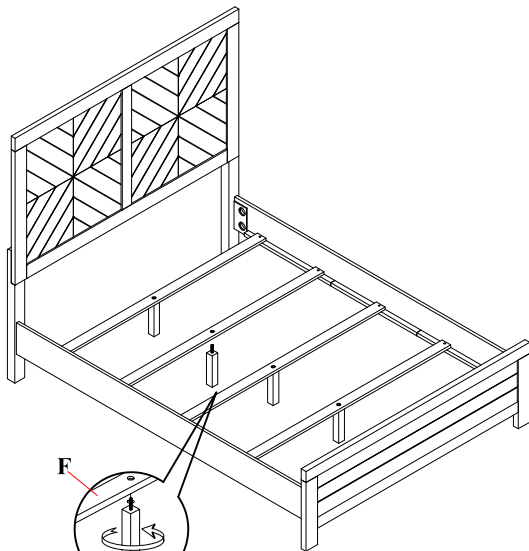
STEP 1



STEP 2

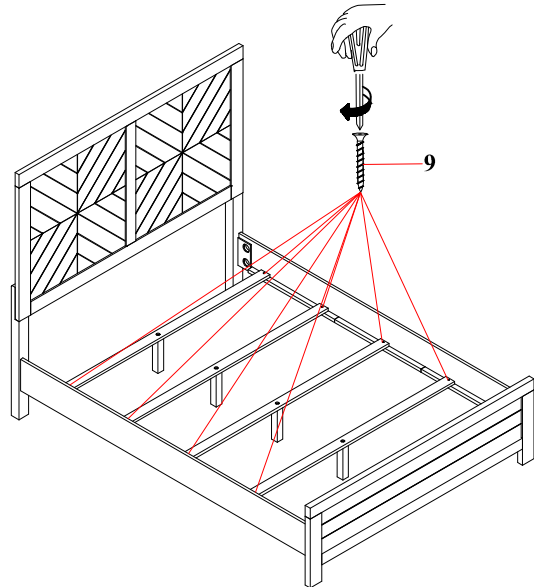


STEP 3



ADJUSTABLE LEVELER

STEP 4



**STEP 5
COMPLETE**

