

COASTER® 300684Q
FINE FURNITURE

QUEEN SIZE BED

ASSEMBLY INSTRUCTIONS

COASTER FINE FURNITURE



www.coastercompany.com

ASSEMBLY TIPS:

1. Remove hardware from box and sort by size.
2. Please check to see that all hardware and parts are present prior to start of assembly.
3. Please follow attached instructions in the same sequence as numbered to assure fast & easy assembly.

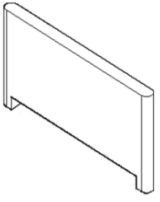
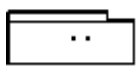
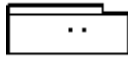
 **Warning !**

1. Don't attempt to repair or modify parts that are broken or defective. Please contact the store immediately.
2. This product is for home use only and not intended for commercial establishment.









| | |
|-------------------------|------------|
| ASSEMBLY TIME PER UNIT: | 10 MINUTES |
|-------------------------|------------|

PARTS IDENTIFICATION

| | | | |
|---|---|---------------------|-----|
| A |  | HEADBOARD | 1PC |
| B |  | LEFT HEADBOARD LEG | 1PC |
| C |  | RIGHT HEADBOARD LEG | 1PC |

Z HARDWARE PACKAGE

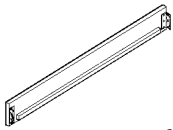
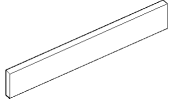

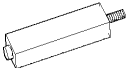

| | | | | |
|---|---|---------------|--------------|------|
| 1 |  | 6*40MM | BOLT | 2PCS |
| 2 |  | 8*70MM | BOLT | 6PCS |
| 3 |  | 6.5*19*2MM | FLAT WASHER | 2PCS |
| 4 |  | 5/16*16*1.5MM | FLAT WASHER | 6PCS |
| 5 |  | 4MM | ALLEN WRENCH | 1PC |
| 6 |  | 5MM | ALLEN WRENCH | 1PC |

All above hardware pack is located in 300684Q B1








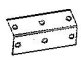


COASTER
FINE FURNITURE

www.coastercompany.com

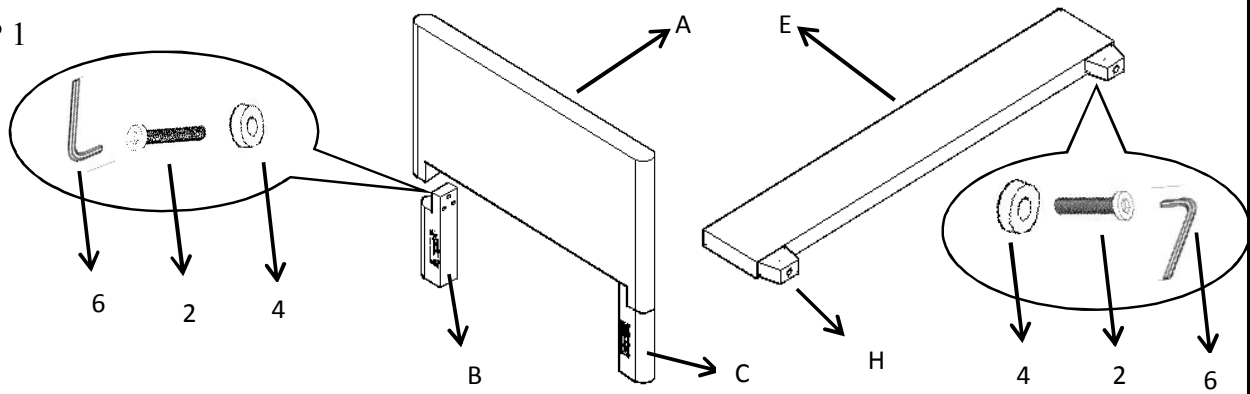
PARTS IDENTIFICATION

| | | | |
|---|---|-------------|-------|
| D |  | BED RAIL | 2 PCS |
| E |  | FOOTBOARD | 1 PC |
| F |  | SLAT | 4 PCS |
| G |  | SUPPORT LEG | 4 PCS |
| H |  | LEG | 2 PCS |

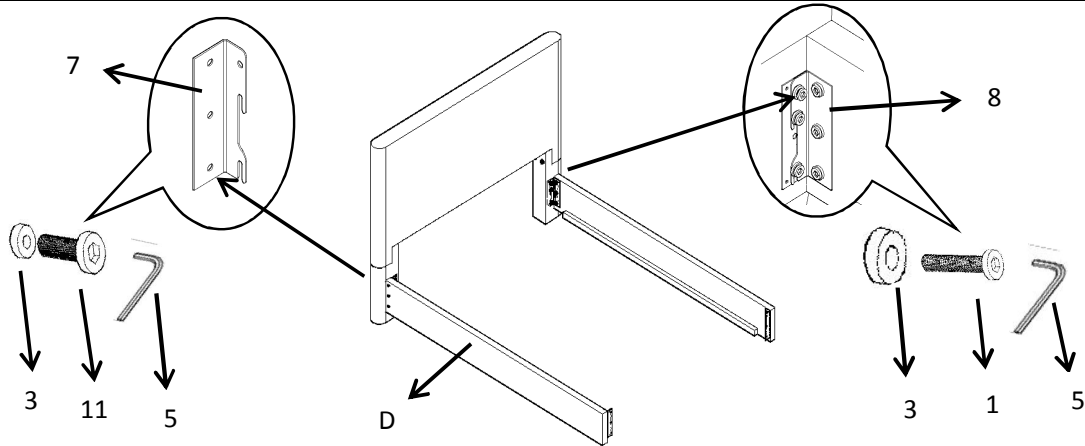
Z HARDWARE PACKAGE

| | DESCRIPTION | FIGURE | Q'TY |
|--|---|---|--------|
| 2 | Bolt 8*70MM |  | 2 PCS |
| 3 | Flat washer Ø6.5 * Ø19 * Ø2 MM |  | 18 PCS |
| 4 | Flat washer 5/16*16*1.5MM |  | 2 PCS |
| 5 | Allen wrench 4MM |  | 1 PC |
| 6 | Allen wrench 5MM |  | 1 PC |
| 7 | HEADBOARD CORNER BRACKET-LEFT (FACING) |  | 1 PC |
| 8 | HEADBOARD CORNER BRACKET-RIGHT (FACING) |  | 1 PC |
| 9 | FOOTBOARD CORNER BRACKET |  | 2 PCS |
| 10 | WOOD SCREW |  | 8 PCS |
| 11 | SHORT BOLT 6*25MM |  | 18 PCS |
| All above hardware pack is located in 300684Q B2 | | | |

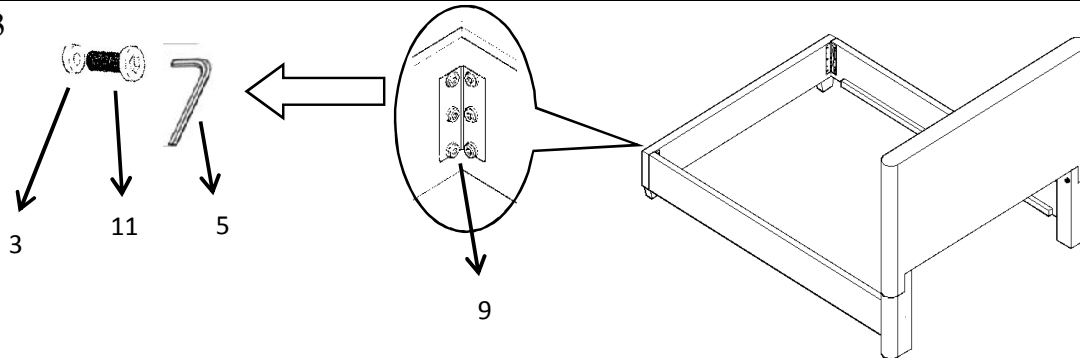
STEP 1



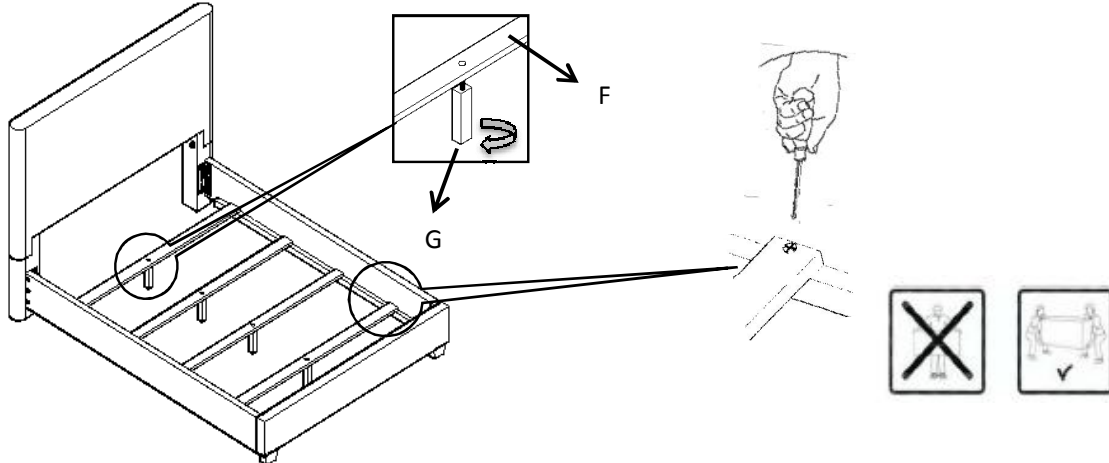
STEP 2



STEP 3



STEP 4



COASTER
FINE FURNITURE

www.coastercompany.com