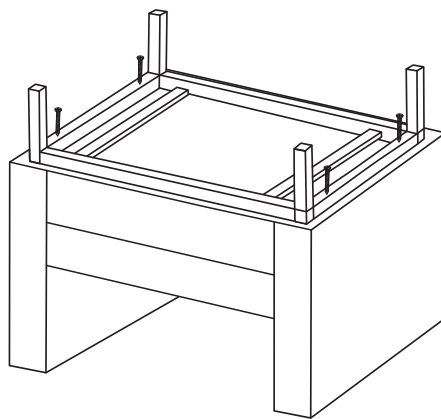
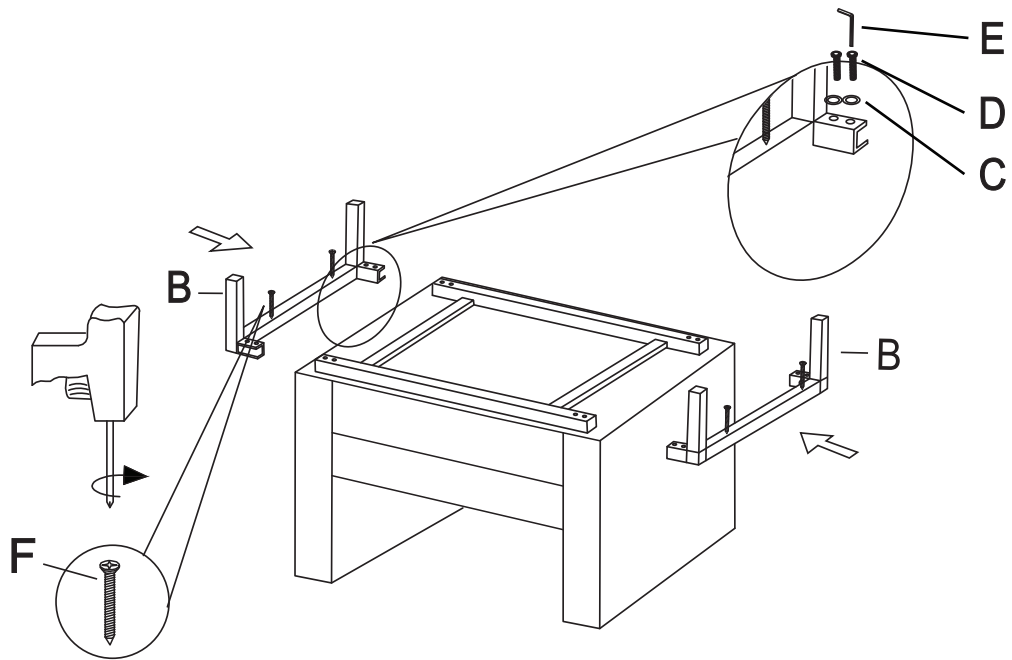
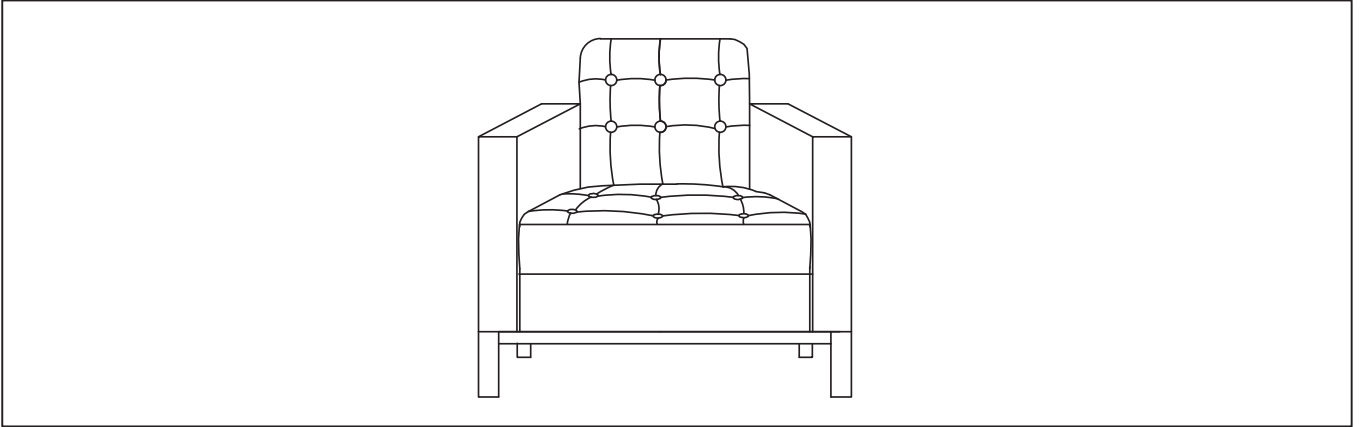


MW-11-1 Assembly Instruction



②

A	B	C	D	E	F			
	 L 830MM X H 160MM	 M6	 M6X12MM	 4#	 5X70mm			
1PCS	2PCS	8PCS	8PCS	1PCS	4PCS			