

Use and Care Manual

Renaissance[®] Range Hoods

Models RNHP30/36/48 and RNHE 30/36/48

Table of Contents

Important Safety Instructions	1
Parts of the Range Hood	3
Operating Instructions.....	4
Care and Cleaning	5
Before You Call for Service.....	7
Warranty and Service	7
Warranty Card	Back Cover





To Our Valued Customer:

Congratulations on your purchase of the very latest in Dacor® products! Our unique combination of features, style and performance make us The Life of the Kitchen™, and a great addition to your home.

In order to familiarize yourself with the controls, functions and full potential of your new Distinctive Appliance, read this use and care manual thoroughly, beginning with the **Important Safety Instructions** section.

All Dacor appliances are designed and manufactured with quality and pride, while working within the framework of our company value. Should you ever experience a problem with your product, please first check the **Before You Call for Service** section of this manual for guidance. It provides useful suggestions and remedies prior to calling for service.

Valuable customer input helps us to continuously improve our products and services, so please feel free to contact our Customer Service Team for assistance with any of your product support needs.

Dacor Customer Service Team
14425 Clark Avenue
City of Industry, CA 91745

Telephone: (800) 793-0093
Fax: (626) 403-3130
Hours of Operation: Monday through Friday
6:00 A.M. to 5:00 P.M. Pacific Time
Web Site: www.dacor.com

Thank you for choosing Dacor for your home. We are a company built by families for families and we are dedicated to serving yours. We are confident that your new Dacor product will deliver a high level of performance and enjoyment for many years to come.

Sincerely,

The Dacor Customer Service Team

Important Safety Instructions

Installer: Leave these instructions with the appliance. Write the *data plate information* below before you install the unit.

Consumer: This manual contains important use and care information; read the manual completely before using this appliance. Save this manual for reference.

For Service and Warranty, see Pg. 9.

For non-warranty questions, call:

Dacor Customer Service

(800) 793-0093 (USA, Canada)

Monday–Friday 6:00 a.m.–5:00 p.m. Pacific Time

Website: www.dacor.com

Have your hood's **model and serial numbers** available.

Data Plate: Remove the filters to access the model and serial number labels found on the data plate. Record these numbers below for easy reference.

Model Number _____

Serial Number _____

Purchase Date _____

At Dacor, we continually improve the quality and performance of all our products; consequently, we may change this appliance without updating these instructions.

Visit www.Dacor.com to download the latest version of this manual.

Important Information About Safety Instructions

The **Important Safety Instructions** and warnings in this manual do not cover all possible problems/situations. Use common sense and caution when installing, maintaining, and operating this or any other appliance.

Always contact the Dacor Customer Service Team about problems or situations that you do not understand.

Safety Symbols and Labels

 **DANGER**

Immediate hazards that **WILL** result in severe personal injury or death.

 **WARNING**

Hazards or unsafe practices that **COULD** result in severe personal injury or death.

 **CAUTION**

Hazards or unsafe practices that **COULD** result in minor personal injury or property damage.

 **DANGER**

To avoid a possible explosion or fire, do not store/use combustible, flammable, or explosive vapors and liquids (e.g., gasoline) inside or around this or any other appliance. Also, keep items that could explode (e.g., aerosol cans) away from cooktop burners, ovens, and range hoods. Do not store flammable/explosive materials in adjacent cabinets/areas.

 **WARNING**

TO REDUCE THE RISK OF FIRE, ELECTRIC SHOCK, OR PERSONAL INJURY:

- a. Use this unit only as intended by the manufacturer. If you have questions, contact the manufacturer.
- b. Before servicing/cleaning the unit, turn power off at the service panel, and lock the service disconnecting means so power cannot be switched on accidentally. If you cannot lock the service disconnecting means, securely fasten a prominent warning device (e.g., tag) to the service panel.

 **WARNING**

STATE OF CALIFORNIA PROPOSITION 65 WARNINGS

WARNING: This product contains one or more chemicals known to the State of California to cause cancer.

WARNING: This product contains one or more chemicals known to the State of California to cause birth defects or other reproductive harm.

READ AND SAVE THESE INSTRUCTIONS

Important Safety Instructions

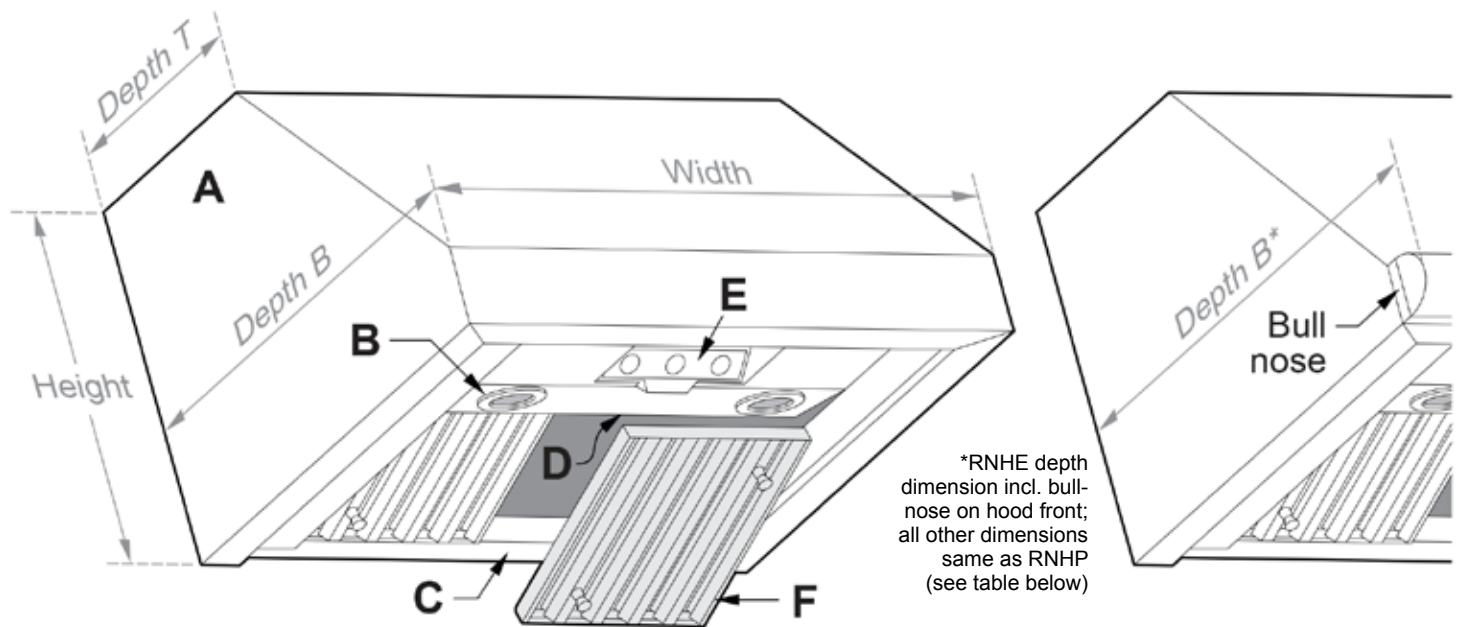
General Safety Precautions

To reduce the risk of fire, electric shock, serious injury, or death when using your range hood, follow basic safety precautions, including these:

WARNING

- If you receive a damaged product, immediately contact your dealer/builder. Do not install/use a damaged hood.
- Verify that the hood was properly installed and grounded by a qualified installer according to procedures in this guide. Have the installer show you the fuse or junction box so you can turn the power ON/OFF as needed.
- Do not install/repair/replace any part of the range hood unless specifically recommended by the procedures in this guide. A qualified service technician should perform all other service.
- To avoid risk of electric shock:
 - Before service is performed, switch power off at the fuse/junction box, and lock the electrical-panel door so power cannot be switched on accidentally. If the electrical panel cannot be locked, securely fasten a prominent warning device (e.g., tag) to the panel.
 - Before cleaning the hood, turn off the main power switch (Pg. 3).
- Use the hood only as outlined in this manual. Do NOT use the hood to vent hazardous/explosive materials or vapors. If you have questions, contact Dacor (contact info on Pg. 1).
- Do not tamper with the controls.
- Never let the filters become blocked/clogged, or foreign objects (e.g., cigarettes, napkins) be sucked into the hood.
- To avoid a fire hazard: If the range/cooktop is near a window, do not use window coverings that could blow over the cooking surface and hood.
- Always run the hood fans when using your range/cooktop.
- Concerning children:
 - Never leave children in the vicinity of an operating range/cooktop.
 - Never let children sit/stand on/play with your range/cooktop and hood; or store items of interest to children above/around these appliances.
- The minimum vertical distance between the cooking surface and the bottom-most part of the hood must be at least 30" (76.2 cm). Consult the hood Installation Instructions for the minimum vertical distance in your specific case.
- To reduce risk of a grease fire:
 - never leave the range/cooktop unattended at high settings; boil-overs cause smoking and greasy spill-overs that may ignite; heat oils slowly on low/medium settings
 - always turn the hood ON when cooking at high heat or when flambéing food (e.g., Crepes Suzette, Cherries Jubilee, Peppercorn Beef Flambé)
 - clean ventilating fans frequently; do not let grease accumulate on the filter or other hood components
 - always use cookware appropriate to the size of the surface element or grate.
- TO REDUCE RISK OF PERSONAL INJURY FROM A COOKTOP GREASE FIRE:
 - CAREFULLY SMOTHER FLAMES with a close-fitting lid, cookie sheet, or metal tray, then turn off the burner. If the flames do not die immediately, EVACUATE, THEN CALL THE FIRE DEPARTMENT.
 - NEVER PICK UP A FLAMING PAN.
 - DO NOT try to extinguish flames with water or wet dish cloths/towels; a violent steam explosion may result.
- (FOR GREASE FIRES) USE A FIRE EXTINGUISHER ONLY IF:
 - you have a Class ABC extinguisher and know how to operate it
 - the fire is small and contained in its area of origin
 - the fire department is being called
 - you can fight the fire with your back to an exit.

Parts of the Range Hood



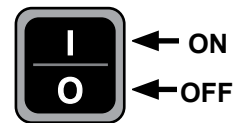
Hood Dimensions/Features: Model RNHP (left), RNHE w/bullnose (right)

A) HOOD CANOPY This housing covers and unites all components and creates the hood system. The hood ventilation system captures heat, smoke, and odors and vents them to the open air.

B) LIGHTS Recessed, dimmable 7.5W LED lights, size PAR16 E26/27; quantity and placement depends on the hood model.

C) GREASE CHANNEL This removable strip at the rear bottom of the hood is part of the filter system that helps capture grease.

D) MAIN POWER SWITCH This is inside the hood near the front; accessible by removing the filter beneath it.



E) CONTROL PANEL Under the hood near the front, these buttons control the hood's fan(s), lights, and timer. (When power is turned ON or restored, the control panel lights *flash* for a few seconds as the control panel re-boots.)

F) FILTERS These keep grease/grime out of the fan(s). The number of filters depends on the hood model.

Hood Specifications

Total Connected Load	120V, 60 Hz, 9 Amp. Max. (10 Amp. Max. surge)
Filters	Baffle style, ready-to-assemble, stainless steel, dishwasher safe
Lights	120V, 60 Hz., LED 7.5W Dimmable or halogen (75W max.) Size: PAR16, E26/27 Base

Model	Width	Height	Depth B	Depth T	Filters	Lights
RNHP 3012	30"	12"	24"	11 7/8"	2	2
RNHP 3018	30"	18"	24"	11 7/8"	2	2
RNHP 3612	36"	12"	24"	11 7/8"	3	3
RNHP 3618	36"	18"	24"	11 7/8"	3	3
RNHP 4812	48"	12"	24"	11 7/8"	4	4
RNHP 4818	48"	18"	24"	11 7/8"	4	4
RNHE 3012	30"	12"	25 1/2"*	11 7/8"	2	2
RNHE 3018	30"	18"	25 1/2"*	11 7/8"	2	2
RNHE 3612	36"	12"	25 1/2"*	11 7/8"	3	3
RNHE 3618	36"	18"	25 1/2"*	11 7/8"	3	3
RNHE 4812	48"	12"	25 1/2"*	11 7/8"	4	4
RNHE 4818	48"	18"	25 1/2"*	11 7/8"	4	4

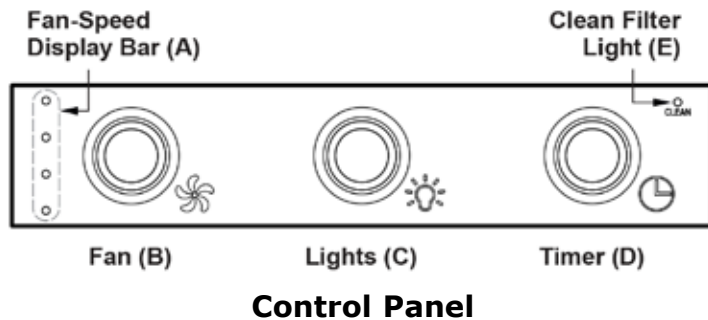
Operating Instructions

WARNING

Always have the filters in place when operating the range hood. To avoid personal injury, fire, or damage to the hood, ensure the filters are free of grime and grease.

Using the Hood Features

Control the fan(s), lights, and timer by pressing the illuminated blue buttons on the **control panel**.



Using the Fan

Fan speed is indicated by the number of lights glowing on the fan-speed display bar (A, above).

1. Press the Fan button (B, above).
The fan comes on at the lowest speed.
2. Press the button again to increase the speed.
When you press the button a fifth time, the fan turns off.

Using the Lights

1. Press the Lights button (C, above).
The lights come on at the high setting.
2. Press the Lights button a second time.
The lights dim to the low setting.
3. Press the Lights button a third time.
The lights turn off.

Setting/Turning Off the Timer

Your hood has a timer that automatically turns the fan and/or lights off after 10 minutes.

1. Set the fan/lights to the desired setting.
2. Press the Timer button (D, above).
The button lights, indicating the timer is on; the fan/lights turn OFF after 10 minutes.
3. Press the Timer button.
The light on the Timer button shuts off, indicating that the timer is off.

Resetting the Clean Filter Light

Every 50 hours of fan use, the Clean Filter light (E, above) comes on, indicating the filters may need to be cleaned.

1. Simultaneously press/hold the Fan (B) and Timer (D) buttons for three seconds or until the light turns off.
2. Clean the filters if needed. (See **Cleaning the Filters**, Pg. 5).

About the AUTO-ON Safety Feature

To protect the electronics from heat damage, the fan automatically turns ON when the temperature exceeds 140°F (60°C). Fan speed increases with the heat.

Temporarily Turning Off the AUTO-ON Feature

1. Press-release the Fan button until the fan turns off.
If the temperature below the hood stays above 140°F (60°C), the fan turns on to protect the electronics from scorching. Once the temperature drops below 130°F (54°C), the fan automatically shuts off.

Important Operating Tips

- Always use the fan when cooking.
- Turn the fan on a few minutes before cooking to establish an airflow current in the room.
- Adjust the fan speed to the volume and weight of the food being cooked.
- Shut nearby windows and doors, turn off ceiling fans, and close nearby heating and AC vents to reduce drafts around the hood.
- Place your largest pots and pans on the back burners when possible.
- *For safety's sake, heat oils and fats slowly.*

Energy-Saving Tips

- For most efficient function, keep the filter system and hood surfaces free of grease and debris.
- Select cookware (size, material, construction) appropriate to the task.

Care and Cleaning

WARNING

To avoid the risk of fire/electric shock/personal injury:

- Turn off power to the hood at the circuit-breaker panel or fuse box before cleaning.
- Clean the hood only as directed with the cleaning solutions specified in this manual.
- Thoroughly dry the filter(s) immediately after cleaning.
- Turn off the cooktop/range, and ensure the appliance has cooled sufficiently before cleaning it and the hood.
- To avoid damaging the fan, do not reinstall damaged filters. (See Pg. 6 for replacement part numbers.)

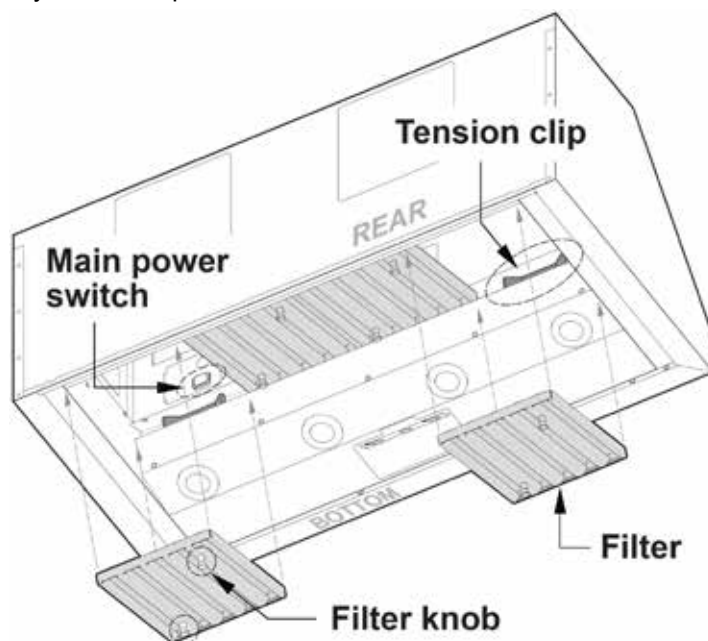
Cleaning the Filters

Every 50 hours of fan use, the Clean Filter light comes on, indicating the filters may need to be cleaned. (See the previous page for directions on how to reset the light.)

The filters are under the hood toward the rear. These external components lie directly above all heat, steam, and particulates that are drawn upward into the blower(s).

Removing the Filters

- Tension clips at the front of the hood hold the filters in place.
- You can easily access the main power switch when the filter beneath it is removed.
- In performing this procedure, take care not to bump the switch or scratch the grease channel along the hood's bottom-rear edge.
- If you cannot reach the filters from the floor, Dacor recommends you use a stepstool or similar sturdy device to help you reach up into the hood.



Model Shown: RNHP48

1. Grasping the filter knobs, lift and move the filter forward

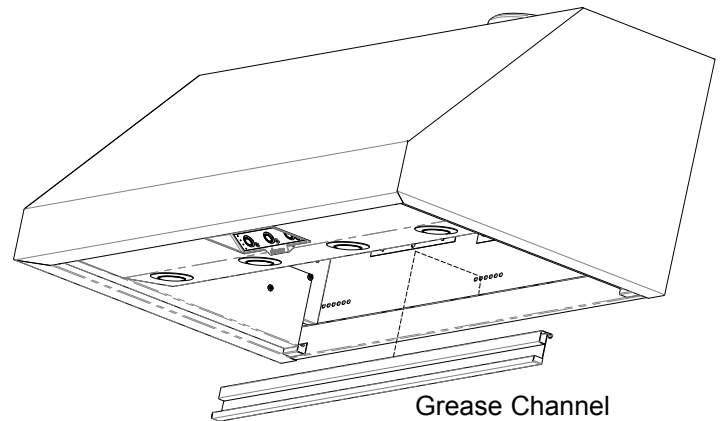
(into the tension clips) until the back of the filter clears the grease channel.

2. Carefully remove the filter without scratching the grease channel.

Cleaning the Filters and Grease Channel

If you cannot reach the grease channel from the floor, Dacor recommends you use a stepstool or similar sturdy device to help you reach up into the hood.

1. Unhinge (lift with both hands and detach), and clean the grease channel with a hot, soapy sponge.



2. Wash the filters in hot, soapy water, or in a dishwasher.
3. Thoroughly dry the grease channel and filters.

Reinstalling the Filters and Grease Channel

1. Reattach the grease channel.
2. Grasping the knobs, press the filter's front edge firmly against the tension clip until the filter's rear edge clears the grease channel.
3. Carefully raise the filter's rear edge up into the hood.
4. Gently release tension on the clip, and rest the filter's rear edge on the grease channel.
5. Wipe away fingerprints, and adjust the components as needed.

Care and Cleaning

Maintenance

Cleaning the Stainless Steel

- Clean stainless steel surfaces with a mild solution of dish-washing liquid and warm water, always wiping **with** the grain. (For best results, Dacor recommends you use Dacor Stainless-Steel Cleaner, according to package directions).
- Do not clean with abrasive cleaners or abrasive cloths.
- Rinse and dry with a micro-fiber or other soft, lint-free cloth.

Replacing the Light Bulbs

The homeowner performs this task. Before replacing any bulbs (or if any light does not work), verify that power is ON at the circuit breaker, fuse box, light switch, or main power switch (**Removing the Filters**, Pg. 5).



TIP

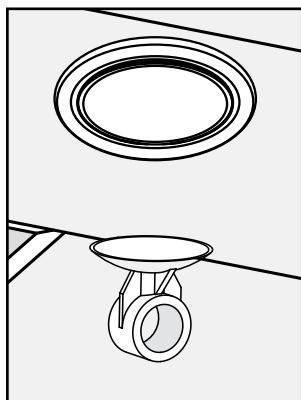
If buying your own bulb, take the old bulb to the store as reference, or use these specifications: Dimmable LED 7.5W (max) or Halogen 75W (max), 120V; PAR16, E26/27, 500 lumens.



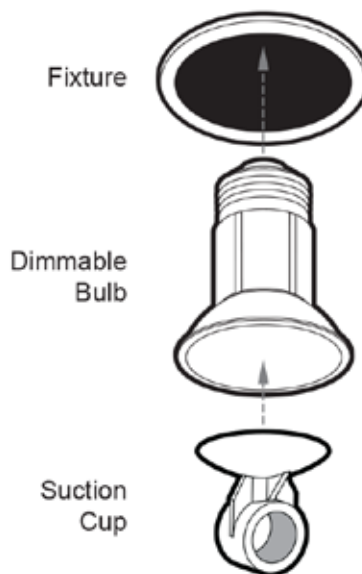
WARNING

- To prevent electric shock, turn power OFF at the fuse box or circuit breaker panel, then replace the light bulb.
- To avoid risk of fire, do not use light bulbs stronger than 7.5W LED or 75W, 120V Halogen.
- To avoid personal injury, ensure the hood and the light's lens are cool before changing the light bulb.
- To avoid system damage and faulty performance, use only dimmable bulbs.

1. (To avoid damaging the appliance's electrical system should a short occur) Turn the power OFF at the circuit breaker or fuse box.
2. Wipe the bulb lens clean, then gently press the suction-cup tool (included with the hood) onto the lens.



3. Turn the tool handle *left* to loosen the bulb, then remove the bulb from the housing.
4. Attach the suction-cup tool to the lens of the replacement bulb.



5. Insert the bulb into the housing, and turn the tool handle *right* to tighten the bulb.



NOTE

If the bulb does not engage, ensure the new bulb's lens is clean, then repeat Steps 4 and 5, being sure to insert the bulb fully into the housing.

6. Insert the new bulb into the housing, and twist *right* to tighten it.
7. Remove the suction cup, and turn the power ON at the fuse box or circuit panel.

Replacement Parts

Order at www.everythingdacor.com

Dacor Part #	Description
702666	Dimmable LED Bulb Replacement Kit (1 bulb + 1 suction cup tool)
702579	Baffle Filter Kit (1 pc + hardware)
702580	Baffle Filter Kit (2 pc + hardware)

Dacor hoods use either baffle or mesh filter types. Contact Dacor customer service for assistance/information concerning the filter types.

This table shows the model numbers and descriptions of the available filter types:

Model #	Description
AWHBF2/3/4	Baffle filter for RNHP/E hoods: 30" (2 filters); 36" (3 filters); 48" (4 filters)
AWHMF2/3/4	

Before You Call for Service

Problem-Solution Guide

This table lists various minor problems concerning the function of the hood, possible causes, and their solutions. If you experience an issue listed in this table, try resolving the problem yourself by applying the corresponding solution. If you are unable to resolve the problem, contact Dacor. (See **Warranty and Service** for business hours and phone number.)

Problem	Cause(s)	Solution
Nothing Works (control panel not lit; fan/lights not working)	Main power switch is OFF Power to hood OFF	Check the main power switch inside the hood; turn on power at junction/fuse box; check for tripped breaker or blown fuse
	Power outage	Call your electric company
	Hood not connected to power source	Have qualified electrician connect hood to power source
Light(s) not working (control panel lit; fan working)	Light bulb loose	Screw in bulb completely (Pg. 6).
	Light bulb burned out	Replace bulb (Pg. 6).
Fan not drawing heat and smoke properly	Fan speed too low	See Operating Instructions section.
	Filters clogged/dirty Open window, draft, HVAC interference	Make sure filters are clean and free of grease/debris. Check for drafts and airflow interference
	Damper jammed shut Ducting clogged	Consult qualified installation professional*
Fan shuts off by itself	Hood's "Timed" feature was set	If timer is set, fan turns off after 10 min. (Timed Feature , Pg. 4)
Fan not working (control panel lit; lights working)	Fan electrical malfunction	Call for service.
Fan comes on by itself	Hood's AUTO-ON feature was started	Fan comes on automatically when temp exceeds 140°F (60°C); AUTO-ON feature protects control panel from damage due to overheating; if fan is set to OFF, fan automatically turns off when the temperature goes below 140°F (60°C); this safety feature cannot be turned off (details, Pg. 4)

* The ducting that vents heat/smoke from the range-hood chimney to the outside is not manufactured/warranted/serviced by Dacor. The consumer is responsible for having a qualified individual install/maintain the ducting.

Warranty and Service

Getting Help

Before seeking assistance:

1. Review Dacor's *Problem-Solution Guide* in the **Before You Call For Service** section above.
2. Learn the hood's warranty terms/conditions (next page).

Contact Type	Contact Info
Warranty	Dacor Distinctive Service; US/Canada: (800) 793-0093 x2822; 6:00 a.m. to 5:00 p.m. Pacific Time
Non-warranty	US/Canada (800) 793-0093 x2813; 6:00 a.m. to 5:00 p.m. Pacific Time
Website	www.dacor.com/contact-us

Warranty and Service

Warranty

Review this section to learn the warranty and non-warranty terms and conditions concerning this product. For details/clarifications, contact Dacor.

What Is Covered—Certificate of Warranties: Dacor Range Hoods

Within the 50 States of the USA, District of Columbia, and Canada*

Full 1-Year Warranty	The warranty applies only to the Dacor appliance sold to the first-use purchaser, starting from the date of original retail purchase or closing date for new construction, whichever period is longer. The warranty is valid on products purchased brand new from a Dacor Authorized Dealer or other Dacor authorized seller. If your Dacor product fails to function within one year of the original date of purchase due to a defect in material or workmanship, Dacor will remedy it without charging you. All cosmetic damage (e.g., scratches on stainless steel, paint/porcelain blemishes, etc.) to the product or included accessories must be reported to Dacor within 60 days of the original purchase date to qualify for warranty coverage.
Coverage Limitations	Service will be provided by a Dacor-designated service company during regular business hours. (Service providers are independent entities and are not agents of Dacor.) These types of products carry a one-year parts warranty only: <ul style="list-style-type: none">• Dealer-display and model-home-display products with a production date greater than 5 years• Products sold “As Is”• Products installed for non-residential use (e.g., religious organizations, fire stations, bed and breakfast, spas, etc). All delivery, installation, labor costs, and other service fees are the purchaser’s responsibility. The warranty is null and void if the product’s serial numbers and/or tags are altered/defaced/missing. The owner must provide proof of purchase or a closing statement for new construction upon request. All Dacor products must be accessible for service.

Outside the 50 States of the USA, District of Columbia, and Canada*

Limited 1st-Year Warranty	If your Dacor product fails to function within one year of the original date of purchase due to a defect in material or workmanship, Dacor will furnish a new part, FOB Factory**, to replace the defective part. All delivery, installation, labor costs, and other service fees are the buyer’s responsibility.
---------------------------	--

*The warranty is null and void if a non-UL-approved product is transported from the US; **(Free On Board at the Factory) Title (responsibility for the product) passes to the buyer when the goods leave Dacor’s loading dock. Dacor pays the freight charges, but the **buyer** is responsible for claims against the product and for promptly notifying Dacor of product shortages/damage/shipping errors. (For details/clarification on the subject of *FOB Factory*, contact Dacor Customer Service at the toll-free number provided.)

What Is Not Covered

- Slight color variations (due to differences in painted parts, kitchen lighting, product placement, etc)
- Service calls (to teach the user proper use and care of the product)
- Travel fees to islands/remote areas (ferries, toll roads, etc)
- Consequential/incidental damage (food/medicine loss, time away from work, restaurant meals, etc)
- Product failure (when product is used for commercial, business, rental, or any application other than residential use)
- Product failure (caused by improper product installation)
- Replacement of house fuses, fuse boxes, or resetting of circuit breakers)
- Product damage (caused by accident, fire, flood, power interruption, power surges, or other “acts of God”)
- Liability or responsibility for damage to surrounding property (cabinetry, floors, ceilings, and other structures/objects)
- Breakage, discoloration, or damage to glass, metal surfaces, plastic parts, trim, paint, or other cosmetic finish from improper use/abuse/care/neglect
- Consumable parts (e.g., filters, light bulbs).

Out of Warranty

Contact us if you experience a service issue beyond the standard warranty period. Dacor reviews each issue and customer concern to provide the best possible solution under the circumstances.

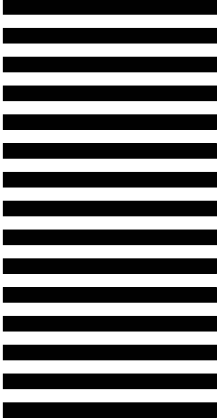
THE REMEDIES PROVIDED IN THE ABOVE EXPRESS WARRANTIES ARE THE SOLE AND EXCLUSIVE REMEDIES; THEREFORE, NO OTHER EXPRESS WARRANTIES ARE MADE, AND OUTSIDE THE FIFTY STATES OF THE UNITED STATES, THE DISTRICT OF COLUMBIA AND CANADA, ALL IMPLIED WARRANTIES, INCLUDING BUT NOT LIMITED TO, ANY IMPLIED WARRANTY OF MERCHANTABILITY OR FITNESS FOR A PARTICULAR USE OR PURPOSE, ARE LIMITED IN DURATION TO ONE YEAR FROM THE DATE OF ORIGINAL PURCHASE. IN NO EVENT SHALL DACOR BE LIABLE FOR INCIDENTAL EXPENSE OR CONSEQUENTIAL DAMAGES. IN THE EVENT DACOR PREVAILS IN ANY LAWSUIT, DACOR SHALL BE ENTITLED TO REIMBURSEMENT OF ALL COSTS AND EXPENSES, INCLUDING ATTORNEY’S FEES, FROM THE DACOR CUSTOMER. NO WARRANTIES, EXPRESS OR IMPLIED, ARE MADE TO ANY BUYER FOR RESALE.

Some states do not limit the length of an implied warranty, or do not exclude/limit inconsequential damages; therefore, the above exclusions/limitations may not apply to you. This warranty gives you specific legal rights. You may also have other/additional rights depending on the state in which you reside.

fold here



NO POSTAGE
NECESSARY
IF MAILED
IN THE
UNITED STATES



BUSINESS REPLY MAIL
FIRST-CLASS MAIL PERMIT NO 1600 CITY OF INDUSTRY CA

POSTAGE WILL BE PAID BY ADDRESSEE

**DACOR
ATTN WARRANTY PROCESSING DEPT
PO BOX 90070
CITY OF INDUSTRY CA 91715-9907**





Please visit www.dacor.com to activate your warranty online.

WARRANTY INFORMATION



IMPORTANT:

Your warranty will not be activated until you activate it online or return this form to Dacor. If you have purchased more than one Dacor product, please return all forms in one envelope or activate the warranty for each product online.

Please rest assured that under no conditions will Dacor sell your name or any of the information on this form for mailing list purposes. We are very grateful that you have chosen Dacor products for your home and do not consider the sale of such information to be a proper way of expressing our gratitude!

Owner's Name: _____
Last (Please Print or Type) First Middle

Street: _____

City: _____ State: _____ Zip: _____

Purchase Date: _____ Email: _____ Telephone: _____

Dealer: _____

City: _____ State: _____ Zip: _____

Your willingness to take a few seconds to fill in the section below will be sincerely appreciated. Thank you.

1. How were you **first** exposed to Dacor products? (Please check one only.)

- A. T.V. Cooking Show
- B. Magazine
- C. Appliance Dealer Showroom
- D. Kitchen Dealer Showroom
- E. Home Show
- F. Builder
- G. Architect/Designer
- H. Another Dacor Owner
- I. Model Home
- J. Other _____

2. Where did you buy your Dacor appliances?

- A. Appliance Dealer
- B. Kitchen Dealer
- C. Builder Supplier
- D. Builder
- E. Other _____

3. For what purpose was the product purchased?

- A. Replacement **only**
- B. Part of a Remodel
- C. New Home
- D. Other _____

4. What is your household income?

- A. Under \$75,000
- B. \$75,000 – \$100,000
- C. \$100,000 – \$150,000
- D. \$150,000 – \$200,000
- E. \$200,000 – \$250,000
- F. Over \$250,000

5. What other brands of appliances do you have in your kitchen?

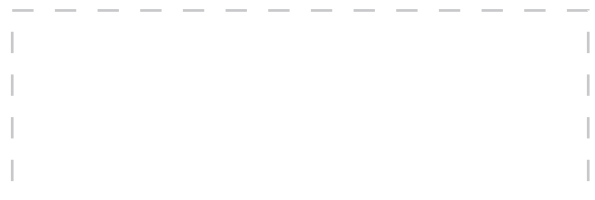
- A. Cooktop _____
- B. Oven _____
- C. Dishwasher _____
- D. Refrigerator _____

6. Would you buy or recommend another Dacor product?

- Yes
- No

Comments: _____

Thank you very much for your assistance. The information you have provided will be extremely valuable in helping us plan for the future and giving you the support you deserve.



cut here

cut here