



BEVERAGE-AIR

Project: _____

AIA#

Item: _____

Location: _____

SIS#

Approved: _____

BB BAR EQUIPMENT - BACK BAR REFRIGERATOR

BB48HC Sliding Glass Door
Hydrocarbon Series

MODELS:

BB48HC-1-GS-B

BB48HC-1-GS-S

3 Year Parts/Labor Warranty
Additional 2 Year Compressor Warranty

CABINET CONSTRUCTION



BB48HC-1-GS-B

- Black or stainless steel exterior
- Interior construction utilizes galvanized steel on walls and ceiling, heavy duty stainless steel floor
- Full electronic control
- Galvanized sub-top standard
- Two (2) epoxy coated shelves per section, standard
- Self-closing doors
- Stay-open feature & lock standard
- Black frame regardless of exterior finish
- LED lighting
- Balanced forced-air refrigeration system provides rapid chilling of product
- Designed to maintain 38°F

OPTIONS & ACCESSORIES

- 2" Stainless steel top
- 3"-6" casters or 6" legs
- Wine model (40°-60° models)
- Wine racks
- Pass-thru & food rated models available

REFRIGERATION SYSTEM

- Refrigeration system uses R290 refrigerant to comply with all environmental concerns
- Automatic, non-electric evaporator
- Epoxy coated evaporator coil

BB48HC Back Bar Refrigerators: Sliding Glass Door Series



3779 Champion Blvd., Winston-Salem, NC 27105
1-888-845-9800 Fax: 1-336-245-6453
Beverage-Air.com sales@bevaair.com



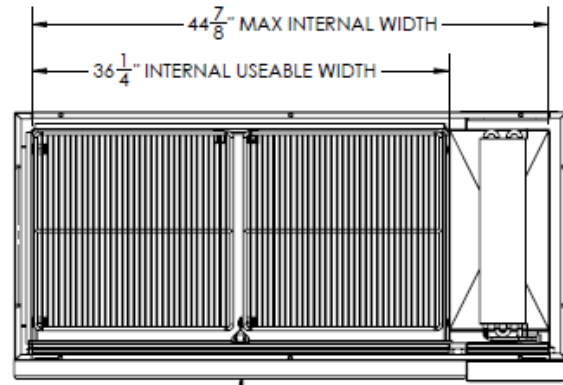
BEVERAGE-AIR

Bar Equipment-Bar Back Refrigerator Sliding Glass Doors

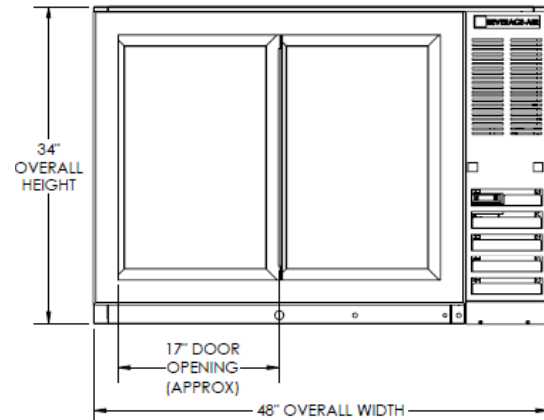
Model: BB48HC-GS-1-B, BB48HC-GS-1-S

MODEL	BB48HC-GS-1-B	BB48HC-GS-1-S
EXTERNAL DIMENSIONAL DATA		
Width Overall	48"	48"
Depth Overall with Handles	23 5/8"	23 5/8"
Height Overall	34"	34"
Number of Doors	2	2
Door Opening (in)	17" x 26 1/4"	17" x 26 1/4"
Shelf Area (sq. in.)	307 3/64"	307 3/64"
INTERNAL DIMENSIONAL DATA		
NET Capacity (cubic ft.)	12.4	12.4
Internal Width Overall (in)	36 1/4"	36 1/4"
Internal Depth Overall (in)	18 1/4"	18 1/4"
Internal Height Overall (in)	28"	28"
Number of Shelves	4	4
Number of Kegs	2	2
ELECTRICAL DATA		
Full Load Amperes 115/60/1	2.5	2.5
REFRIGERATION DATA		
Horsepower	1/4	1/4
Capacity (BTU/Hr)*	1702	1702
WEIGHT DATA		
Gross Weight (Crated lbs)	282 lbs	306 lbs
Height - Crated	43"	43"
Width - Crated	51"	51"
Depth - Crated	27"	27"

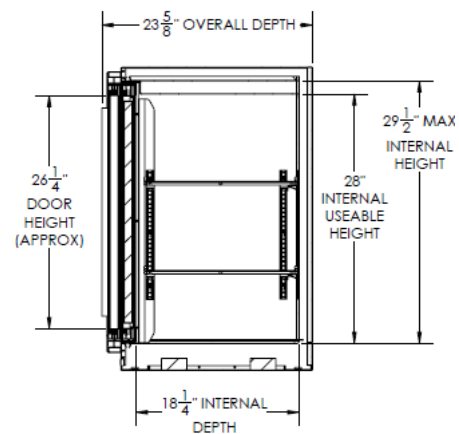
Model Views



Plan View



Elevation View



Side View

ELECTRICAL CONNECTION



115/60/1
NEMA-5-15P

Units pre-wired at
factory and include 8'
long cord and plug set.

