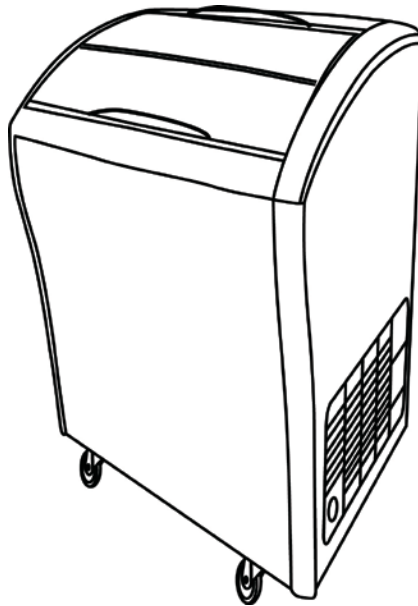




**FREEZER/CONGELADOR
INSTRUCTION MANUAL/MANUAL DE INSTRUCCIONES**

Model Number/Número de Modelo: CFC43Q0WG



Actual design / color may vary / Diseño / color real puede variar

BEFORE USE, PLEASE READ AND FOLLOW ALL SAFETY RULES AND OPERATING INSTRUCTIONS.

La sección en español empieza en la página 16.

Avanti has a policy of continuous improvement on its products and reserves the right to change materials and specifications without notice.

**Avanti Products LLC
P.O. Box 520604 - Miami, Florida 33152
www.avantiproducts.com**

TABLE OF CONTENTS

Chest Freezer Safety	3
Important Safeguides	4
Help Us Help You	5
Parts and Features	6
Important Safety Instructions	7
Installation Instructions	7
Before Using Your Appliance	7
Installation of Your Appliance	7
Electrical Connection	8
Operating Your Appliance	9
Temperature Control	9
Temperature Control Panel Cover	9
Defrosting Your Appliance	10
The Freezer Compartment	10
Door Lock	10
Care and Maintenance	11
Cleaning Your Appliance	11
Maintenance of Your Appliance	11
Energy Saving Tips	11
Troubleshooting Guide	12 – 13
Service for Your Appliance	14
Wiring Diagram	14
Your Avanti Products Warranty	15
Instrucciones en Español	16-22
Registration Information and Registration Card	23

CHEST FREEZER SAFETY

Your safety and the safety of others are very important.

We have provided many important safety messages in this manual and on your appliance. Always read and obey all safety messages.



This is the Safety Alert Symbol. This symbol alerts you to potential hazards that can kill or injure you and others. All safety messages will follow the Safety Alert Symbol and either the words "DANGER", "WARNING" or "CAUTION".



Danger means that failure to heed this safety statement may result in severe personal injury or death.



Warning means that failure to heed this safety statement may result in extensive product damage, serious personal injury, or death.



Caution means that failure to heed this safety statement may result in minor or moderate personal injury, or property or equipment damage.

All safety messages will alert you to what the potential hazard is, tell you how to reduce the chance of injury, and let you know what can happen if the instructions are not followed.

IMPORTANT SAFEGUARDS



Before the chest freezer is used, it must be properly positioned and installed as described in this manual, so read the manual carefully. To reduce the risk of fire, electrical shock or injury when using the chest freezer, follow basic precautions, including the following:

! DANGER !

- Plug into a grounded 3-prong outlet, do not remove grounding prong, do not use an adapter, and do not use an extension cord
- Replace all panels before operating
- It is recommended that a separate circuit, serving only your chest freezer, be provided. Use receptacles that cannot be turned off by a switch or pull chain
- Never clean chest freezer parts with flammable fluids. These fumes can create a fire hazard or explosion. And do not store or use gasoline or other flammable vapors and liquids in the vicinity of this or any other appliance. The fumes can create a fire hazard or explosion.
- Before proceeding with cleaning and maintenance operations, make sure the power line of the unit is disconnected.
- Do not connect or disconnect the electric plug when your hands are wet
- Unplug the chest freezer or disconnect the power before cleaning or servicing. Failure to do so can result in electrical shock or death.
- Do not attempt to repair or replace any part of your chest freezer unless it is specifically recommended in this material. All other servicing should be referred to a qualified technician.

! WARNING !

- Use two or more people to move and install the chest freezer. Failure to do so can result in back or other injury.
- To ensure proper ventilation for your chest freezer, the unit must be completely unobstructed. Choose a well-ventilated area with temperatures above 55°F (13°C) and below 90°F (32 °C). This unit must be installed in an area protected from the elements, such as wind, rain, water spray or sunlight.
- The chest freezer should not be located next to ovens, grills or other sources of high heat.
- The chest freezer must be installed with all electrical, water and drain connections in accordance with state and local codes. A standard electrical supply (115 V AC only, 60 Hz), properly grounded in accordance with the National Electrical Code and local codes and ordinances is required.
- Do not kink or pinch the power supply cord of the chest freezer.
- The fuse (or circuit breaker) size should be 15 amperes.
- It is important for the chest freezer to be leveled in order to work properly. You may need to make several adjustments to level it.
- All installation must be in accordance with local plumbing code requirements.
- Make certain that the pipes are not pinched or kinked or damaged during installation.
- Check for leaks after connection.
- Never allow children to operate, play with or crawl inside the chest freezer
- Do not use solvent-based cleaning agents or abrasives on the interior. These cleaners may damage or discolor the interior.
- Do not use this apparatus for other than its intended purpose.

HELP US HELP YOU...

Read this guide carefully.

It is intended to help you operate and maintain your new freezer properly.

Keep it handy to answer your questions. If you don't understand something or you need more help, please call:

**Avanti Customer Service
800-220-5570**

Keep proof of original purchase date (such as your sales slip) with this guide to establish the warranty period.

CAUTION:

**THIS APPLIANCE IS NOT
DESIGNED FOR THE STORAGE
OF MEDICINE OR OTHER
MEDICAL PRODUCTS.**

Write down the model and serial numbers.

You'll find them on a plate located on the rear outside wall of the freezer.

Please write these numbers here:

Date of Purchase

Model Number

Serial Number

Use these numbers in any correspondence or service calls concerning your freezer.

If you received a damaged freezer, immediately contact the dealer (or builder) that sold you the freezer.

Save time and money. Before you call for service, check the Troubleshooting Guide. It lists causes of minor operating problems that you can correct yourself.

IF YOU NEED SERVICE

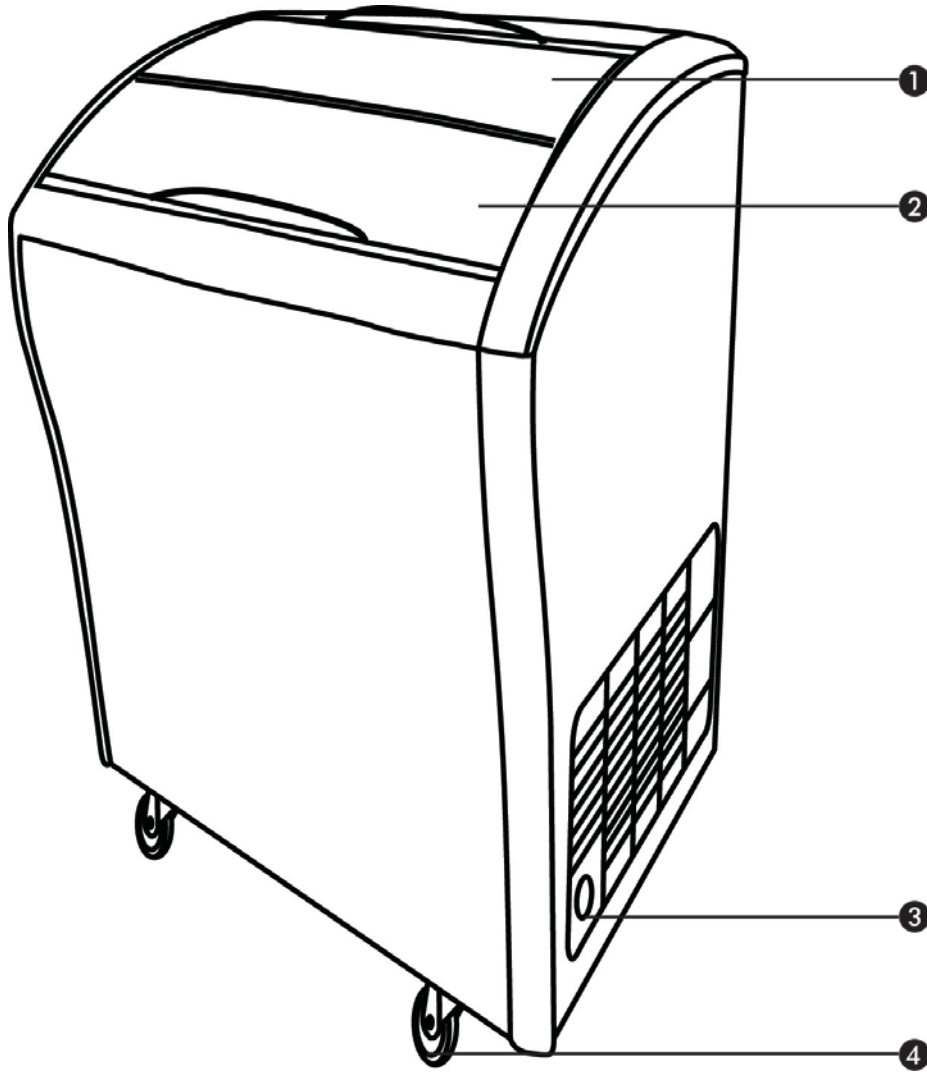
We're proud of our service and want you to be pleased. If for some reason you are not happy with the service you receive, here are some steps to follow for further assistance.

FIRST, contact the people who serviced your appliance. Explain why you are not pleased. In most cases, this will solve the problem.

NEXT, if you are still not pleased, write all the details, including your telephone number, and send it to:


**Customer Service
Avanti Products
10880 NW 30 Street
Miami, FL 33172 USA**

PARTS AND FEATURES



1. SLIDING GLASS LID (TOP)
2. SLIDING GLASS LID (BOTTOM)
3. CONTROL PANEL
4. ROLLERS (TOTAL 4)

IMPORTANT SAFETY INSTRUCTIONS

	<p>To reduce the risk of fire, electrical shock, or injury when using your freezer, follow these basic precautions:</p>
<ul style="list-style-type: none"> • Read all instructions before using the freezer. • DANGER or WARNING: Risk of child entrapment. Child entrapment and suffocation are not problems of the past. Junked or abandoned appliances are still dangerous, even if they will “just sit in the garage a few days.” • Before you throw away your old freezer: Take off the doors. Leave the shelves in place so that children may not easily climb inside. • Never allow children to operate, play with, or crawl inside the appliance. • Never clean appliance parts with flammable fluids. The fumes can create a fire hazard or explosion. • Do not store or use gasoline or any other flammable vapors and liquids in the vicinity of this or any other appliance. The fumes can create a fire hazard or explosion. <p style="text-align: center;">-Save these instructions-</p>	

INSTALLATION INSTRUCTIONS

Before Using Your Freezer

- Remove the exterior and interior packing.
- Check to be sure you have all of the following parts:

1	Storage Basket	1 – Instruction Manual
2	Keys	1 – Plastic Scraper
4	Rollers	

- Before connecting the freezer to the power source, let it stand upright for approximately 2 hours. This will reduce the possibility of a malfunction in the cooling system from handling during transportation.
- Clean the interior surface with lukewarm water using a soft cloth.

Installation of Your Freezer

- This appliance is designed to be free standing only, and should not be recessed or built-in.
- Place your appliance on a floor that is strong enough to support the appliance when it is fully loaded.
- Allow 5 inches of space between the back and sides of the appliance, which allows the proper air circulation to cool the compressor and condenser.
- Locate the freezer away from direct sunlight and sources of heat (stove, heater, radiator, etc.). Direct sunlight may affect the acrylic coating and heat sources may increase electrical consumption. Extreme cold ambient temperatures may also cause the freezer not to perform properly.
- Avoid locating the appliance in moist areas. Too much moisture in the air will cause frost to form quickly on the evaporator requiring more frequent defrosting of the freezer.
- Plug the appliance into an exclusive properly installed grounded wall outlet. Do not under any circumstances cut or remove the third (ground) prong from the power cord. Any questions concerning power and or grounding should be directed toward a certified electrician or an authorized Avanti Products service center.
- After plugging the appliance into a wall outlet, allow the unit to cool down for 2~3 hours before placing food in the freezer compartment.

Electrical Connection

⚡ Warning ⚡

Improper use of the grounded plug can result in the risk of electrical shock. If the power cord is damaged, have it replaced by an authorized Avanti Products service center.

This appliance should be properly grounded for your safety. The power cord of this appliance is equipped with a three-prong plug which mates with standard three prong wall outlets to minimize the possibility of electrical shock.

Do not under any circumstances cut or remove the third ground prong from the power cord supplied.

This freezer requires a standard 115Volts~/60Hz electrical outlet with three-prong ground.

The cord should be secured behind the freezer and not left exposed or dangling to prevent accidental injury.

Never unplug the freezer by pulling the power cord. Always grip the plug firmly and pull straight out from the receptacle.

Do not use an extension cord with this freezer. If the power cord is too short, have a qualified electrician or service technician install an outlet near the freezer.

The "POWER" light indicates that the freezer is properly connected to the electrical power. The light indicates power supply, and will glow even if the compressor has failed to work and the compartment is not being cooled.

➤ **Extension Cord**

Because of potential safety hazards under certain conditions, it is strongly recommended that you do not use an extension cord with this unit. However, if you must use an extension cord it is absolutely necessary that it be a UL/CUL-Listed, 3-wire grounding type appliance extension cord having a grounding type plug and outlet and that the electrical rating of the cord be 115 volts and at least 10 amperes.

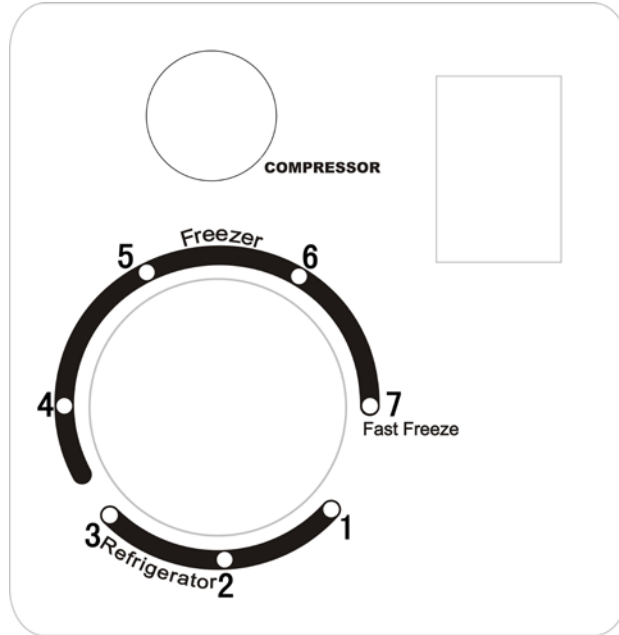
➤ **SURGE PROTECTOR**

Most electrical appliances use a series of electric control boards to operate. These boards are very susceptible to power surges and could be damaged or destroyed.

If the appliance is going to be used in an area or if your city / country is prone to power surges / outages; it is suggested that you use a power surge protector for all electrical devices / appliances you use. The surge protector that you select must have a surge block high enough to protect the appliance it is connected to. If you have any questions regarding the type and size of surge protector needed contact a licensed electrician in your area.

Damages due to power surges are not considered a manufacturer covered defect and will void your product warranty.

OPERATING YOUR FREEZER



Temperature Control

Your unit is designed to be used either as a freezer or a refrigerator. You can adjust the temperature control to select the refrigerator or freezer function according to the purpose of use.

- Your unit has one control for regulating the temperature. The temperature control is located on the side of the unit at the lower left hand corner.

To use as a freezer, turn the temperature control clockwise to the position marked "7" or "FAST FREEZE" in area marked "FREEZER", after 2 hours, adjust the control knob the position that best suits your needs.

- The range of the temperature control for the freezer operation is from position "4" the warmest to "7" the coldest. Adjust the temperature control to the setting that best suits your needs. The setting of "5 or 6" should be correct for home or office freezer use.
- To turn the freezer off, unplug the unit.

To use as a refrigerator, you may set temperature accordingly by turning the dial clockwise from the "1" position. The temperature control is marked "REFRIGERATOR" with a scale showing minimum cooling to the maximum cooling position.

- The range of the temperature control for the refrigerator operation is from position "1" the warmest to "3" the coldest. Adjust the temperature control to the setting that best suits your needs. The setting of "2" should be correct for home or office freezer use.

NOTE:

- If the unit is unplugged, lost power, or turned off; you must wait 3 to 5 minutes before restarting the unit. If you attempt to restart before this time delay, the freezer will not start.
- Large amounts of food will lower the cooling efficiency of the appliance.
- If you choose to change the thermostat setting, adjust thermostat control by one numerical increment at a time. Allow several hours for temperature to stabilize between adjustments.

Fast Freeze Setting (Position # 7 in the Freezer Operation Mode)

- The switch overrides the thermostat and will make the compressor operate continuously, lowering the cabinet temperature still further than the thermostat setting.
- This switch is used to freeze unfrozen food in appreciable quantities.
- When loading the freezer, freeze only three pounds of fresh food per cubic foot of freezer space at one time.
- Distribute packages to be frozen evenly throughout the freezer.

Defrosting Your Freezer

- When? For the most efficient operation and minimum energy consumption, defrost the freezer when the frost on the freezer walls is excessive or ¼ to ½ inch thick.
- Choose a time when the stock of frozen food is low.

CAUTION

Do not use boiling water because it may damage the plastic parts. In addition, never use a sharp or metallic instrument to remove frost as it may damage the cooling coils and will void the warranty. We recommend using the plastic scraper provided with your unit.

- Remove the frozen food from the freezer and place it in a cooler to protect the food.
- Unplug the freezer.
- During the defrost process, the ice melts into the cabinet.
- Remove the drain plug on the inside floor of the freezer by screwing out.
- Place a shallow pan outside drain outlet. The defrost water will drain out.
- Check the pan occasionally so the water does not overflow.
- Clean the interior of the freezer.
- Replace the plug on the inside floor.
- Reset the thermostat to desired setting.
- Allow the cabinet to cool for one hour.
- Turn the temperature control knob in a clockwise direction to the maximum position "7" for a minimum of 2 hours.
- Return food to the freezer.

HELPFUL HINT:

Defrosting usually takes a few hours. Leaving the door open will help speed the process. Also, pouring warm water (not boiling) on the ice/frost will help speed melting. If you must use a scraper- please use caution - it is very easy to damage the freezer compartment and void your warranty.

The Freezer Compartment

- This compartment is designed for the long term storage of frozen food. Storage time is up to three months.
- The storage life of frozen foods varies and the recommended storage time should not be exceeded. The instructions regarding the care of frozen foods should be followed when defrosting the freezer.
- Pre-packed commercially frozen food should be stored in accordance with the frozen foods manufacturer's instructions for a three star frozen food storage compartment or home freezer.
- Place frozen food into the freezer as quickly as possible after purchase. If there are instructions on the packet, carefully follow these instructions regarding storage times.
- The freezer door is susceptible to breaking due to excessive ice build up. Be sure to defrost when the ice reaches ¼ to ½ inch thick.
- Storage basket is provided for the organization of odd-shaped items. To reach other packages in the freezer, just slide the basket to one side, or lift it out.

Door Lock

Your unit is provided with a lock and key combination. The keys are located inside the plastic bag that contains the User's Guide. Insert the key into the lock and turn it clockwise to unlock the door. To lock the door do the reverse operation making sure metal pin is engaged completely. Remove the key and place it in a secure place for safekeeping.

CARE AND MAINTENANCE

Cleaning Your Freezer

- Upon installation of your new appliance, it is recommended that it be cleaned thoroughly.
- Unplug the freezer, remove the food and storage baskets.
- Wash the inside with a damp warm cloth containing a water and baking soda solution. The solution should be about 2 tablespoons of baking soda to a quart of water.
- Wash the storage baskets with a mild detergent solution.
- Be sure to keep the door gasket (seal) clean to keep the unit running efficiently.
- The outside of the freezer should be cleaned with mild detergent and warm water.
- Dry the interior and exterior with a soft cloth.
- It is recommended that the unit be cleaned each time it is defrosted to help keep the unit odor free and running efficiently.

Vacation Time

- Use extreme caution in the case of children. The unit should not be accessible to child's play.
- **Short vacations:** Leave the freezer operating during vacations of less than three weeks.
- **Long vacations:** If the appliance will not be used for several months, remove all food and unplug the power cord. Clean and dry the interior thoroughly. To prevent odor and mold growth, leave the door open slightly: blocking it open if necessary or have the door removed.

Moving Your Freezer

- Remove all the food.
- Securely tape down all loose items inside your freezer.
- Remove the rollers to prevent damage
- Tape the doors shut.
- Be sure the freezer stays in the upright position during transportation.

Energy Saving Tips

- The freezer should be located in the coolest area of the room, away from heat producing appliances or heating ducts, and out of the direct sunlight.
- Let hot foods cool to room temperature before placing in the freezer. Overloading the freezer forces the compressor to run longer. Foods that freeze too slowly may lose quality, or spoil.
- Be sure to wrap foods properly, and wipe containers dry before placing them in the freezer. This cuts down on frost build-up inside the freezer.
- Freezer storage bin should not be lined with aluminum foil, wax paper, or paper toweling. Liners interfere with cold air circulation, making the freezer less efficient.
- Organize and label food to reduce door openings and extended searches. Remove as many items as needed at one time, and close the door as soon as possible.

PROBLEMS WITH YOUR FREEZER ?

You can solve many common freezer problems easily, saving you the cost of a possible service call. Try the suggestions below to see if you can solve the problem before calling the servicer.

TROUBLESHOOTING GUIDE

PROBLEM	POSSIBLE CAUSE
Freezer does not operate.	Not plugged in. The circuit breaker tripped or blown fuse.
Compressor turns on and off frequently.	The room temperature is hotter than normal. A large amount of food has been added to the freezer. The door is opened too often. The door is not closed completely. The temperature control is not set correctly. The door gasket does not seal properly. The freezer does not have the correct clearances. The freezer has recently been disconnected for a period of time. Four hours are required for the freezer to cool down completely.
Temperature inside the freezer is too warm.	Temperature control is set too warm. Turn the control to a cooler setting and allow several hours for the temperature to stabilize. Door is kept open too long or is opened too frequently. Warm air enters the freezer every time the door is opened. Open the door less often. The door is not closed completely. The door gasket does not seal properly. A large amount of warm or hot food might have been stored recently. Wait until the freezer has had a chance to reach its selected temperature. The freezer has recently been disconnected for a period of time. Four hours are required for the freezer to cool down completely.
Temperature inside the freezer is too cold.	Temperature control is set too cold. Turn the control to a warmer setting and allow several hours for the temperature to stabilize. Switch is on the "7" or "Fast Freeze", This causes continuous running of the compressor and bypasses the temperature control.
Temperature of external freezer surface is warm.	The exterior freezer walls can be as much as 30°F warmer than room temperature. This is normal while the compressor works to transfer heat from inside the freezer cabinet.
Popping or cracking sound when compressor comes on.	Metal parts undergo expansion and contraction, as in hot water pipes. This is normal. Sound will level off or disappear as freezer continues to run.
Bubbling or gurgling sound, like water boiling.	Refrigerant (used to cool freezer) is circulating throughout the system. This is normal.

--	--

Vibrations.	<p>Check to assure that the freezer is not on a level surface.</p> <p>Floor is uneven or weak. Freezer rocks on the floor when it is moved slightly. Be sure floor can adequately support freezer. Level the freezer by putting wood or metal shims under part of the freezer.</p> <p>The freezer is touching the wall. Re-level the freezer and move it from the wall.</p> <p>See "Installation Instructions"</p>
Moisture forms on inside freezer walls.	<p>Weather is hot and humid, which increases internal rate of frost build-up. This is normal.</p> <p>Door is slightly open.</p> <p>Door is kept open too long, or is opened too frequently. Open the door less often.</p> <p>The door is not sealed properly.</p>
Moisture forms on outside of freezer.	<p>Door is slightly open, causing cold air from inside the freezer to meet warm moist air from outside.</p>
The door will not close properly.	<p>The freezer is not on a level surface.</p> <p>The gasket is dirty.</p> <p>The storage baskets are out of position.</p>

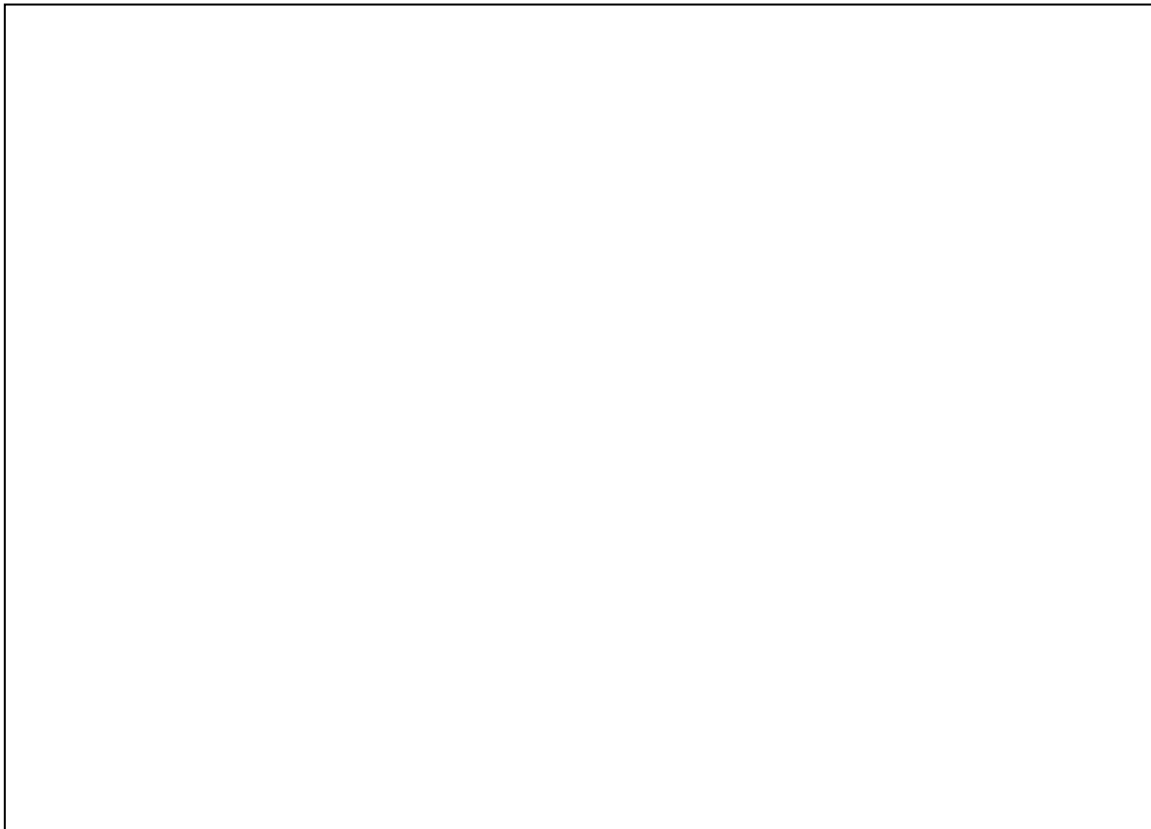
SERVICE FOR YOUR FREEZER

We are proud of our customer service organization and the network of professional service technicians that provide service on your Avanti appliances. With the purchase of your Avanti freezer, you can have the confidence that if you ever need additional information or assistance the Avanti Products Customer Service team will be here for you. Just call us toll-free.

AVANTI PRODUCTS CUSTOMER SERVICES

Product Information 800-323 5029	Whatever your questions are about our products, help is available.
Part Orders 800-220 5570	You may order parts and accessories that will be delivered directly to your home. You may order these items by personal check, money order, Master Card, or Visa.
In-Home Repair Service 800-220 5570	An Avanti Products authorized service center will provide expert repair service, scheduled at a time that is convenient for you. Our trained servicers know your freezer inside and out.

WIRING DIAGRAM



YOUR AVANTI PRODUCTS WARRANTY	Staple your sales receipt here. Proof of original purchase date is needed to obtain service under warranty.
WHAT IS COVERED – LIMITED ONE-YEAR WARRANTY	
<p>Avanti Products warrants that the product is free from defects in materials and/or workmanship for a period of twelve (12) months from the date of purchase by the original owner. The foregoing timeline begins to run upon the date of purchase, and shall not be stalled, tolled, extended, or suspended for any reason whatsoever unless described in detail in the warranty document. For one year from the date of purchase by the original owner, Avanti products will, at its option, repair or replace any part of the product which proves to be defective in material or workmanship under normal use. Avanti Products will provide you with a reasonably similar product that is either new or factory refurbished. During this period Avanti Products will provide all parts and labor necessary to correct such defects free of charge, so long as the product has been installed and operated in accordance with the written instructions in this manual. In rental or commercial use, the warranty period is 90 days. All Avanti appliances of 4.2 cubic feet capacity or less must be brought/sent to the appliance service center for repair.</p>	
LIMITED SECOND THROUGH FIFTH YEAR WARRANTY	
<p>For the second through the fifth year from the date of original purchase, Avanti Products will provide a replacement compressor free of charge due to a failure. You are responsible for the service labor and freight charges. In rental or commercial use, the limited compressor warranty is one year and nine months. Costs involved to move the product to the service center and back to the user's home, as maybe required, are the user's responsibility.</p>	
WARRANTY EXCLUSIONS / WHAT IS NOT COVERED:	
<p>The warranty coverage described herein excludes all defects or damage that are not the direct fault of Avanti Products, including without limitation, one or more of the following:</p>	
<ul style="list-style-type: none"> • A failure to comply with any applicable state, local, city, or county electrical, plumbing and/or building codes, regulations, or laws, including failure to install the product in strict conformity with local fire and building codes and regulations. • Any external, elemental and/or environmental forces and factors, including without limitation, rain, wind, sand, floods, fires, mud slides, freezing temperatures, excessive moisture or extended exposure to humidity, lightning, power surges, structural failures surrounding the appliance, and acts of God. • Content losses of food or other content due to spoilage. • Incidental or consequential damages • Parts and labor costs for the following will not be considered as warranty: <ul style="list-style-type: none"> • Evaporator doors, door springs, and/or frames. • Inner door panels, door shelves, door rails, and/or door supports. • Chest freezer lid liners. • Light bulbs and/or plastic housing. • Plastic cabinet liners. • Punctured evaporator that voids the warranty on the complete sealed system. 	<ul style="list-style-type: none"> • Shipping and handling costs associated with the replacement of the unit. • Repairs performed by unauthorized servicers. • Service calls that are related to external problems, such as abuse, misuse, inadequate electrical power, accidents, fire, floods, or any other acts of God. • Failure of the product if it is used for other than it intended purpose. • The warranty does not apply outside the Continental USA. • Surcharges including but not limited to, any after hour, weekend, or holiday service calls, tolls, ferry trip charges, or mileage expense for service calls to remote areas.
<p>In no event shall Avanti Products have any liability or responsibility whatsoever for damage to surrounding property, including cabinetry, floors, ceilings, and other structures and/or objects around the product. Also excluded from this warranty are scratches, nicks, minor dents, and other cosmetic damages on external surfaces and exposed parts; Products on which the serial numbers have been altered, defaced or removed; service visits for customer education, or visits where there is nothing wrong with the product; correction of installation problems (you are solely responsible for any structure and setting for the product, including all electrical, plumbing and/or other connecting facilities, for proper foundation/flooring, and for any alterations including without limitation cabinetry, walls, floors, shelving etc., as well as the resetting of breakers or fuses.</p>	
OUT OF WARRANTY PRODUCT	
<p>Avanti Products is under no obligation, at law or otherwise, to provide you with any concessions, including repairs, pro-rates, or product replacement, once this warranty has expired.</p>	
<small>WARRANTY – REFRIGERATION - COMPRESSOR</small>	

INSTRUCCIONES EN ESPAÑOL

PRECAUCION	Para reducir el riesgo de incendio, descarga eléctrica, o daño cuando use su electrodoméstico, siga las siguientes precauciones.
<ul style="list-style-type: none">• Lea todas las instrucciones antes de usar su electrodoméstico.• Peligro o Precaución: Existe el riesgo que los niños queden atrapados.• Niños atrapados o sofocamiento no son un problema del pasado. Los electrodomésticos son peligrosos aún si sólo los deja en el garaje por un par de días.• Antes de desechar su congelador o refrigerador usado: quítele las puertas. Deje las repisas en su lugar para evitar que los niños se queden atrapados.• No permita que los niños manejen, jueguen o entren dentro del electrodoméstico.• No limpie su electrodoméstico con líquidos inflamables. Los gases pueden ocasionar fuego o una explosión.• No guarde ni use gasolina u otros líquidos inflamables cerca de este o de cualquier otro electrodoméstico. Los vapores pueden ocasionar fuego o explosión. <p style="text-align: center;">- Guarde estas instrucciones.-</p>	

INSTRUCCIONES PARA LA INSTALACION

➤ **Antes de Usar su Artefacto**

- Retire la envoltura interna y externa.
- Verifique que tenga las siguientes partes:
1 canasta de almacenaje , un manual de instrucciones, y una espátula de plástico, 4 ruedas y 2 llaves
- Antes de conectar su electrodoméstico a la corriente eléctrica, ubíquelo en una superficie plana por lo menos por 2 horas. Esto reducirá la posibilidad de malfuncionamiento en el sistema de enfriamiento por la manipulación durante el transporte.
- Limpie la superficie interior con agua tibia usando un paño suave.

➤ **Instalación de su Congelador**

- Ubique su congelador en un piso que sea lo suficientemente fuerte para soportar su peso cuando esté totalmente lleno o cargado.
- Deje aproximadamente 5 pulgadas de espacio entre la parte trasera y los costados de su electrodoméstico, así permitirá la circulación de aire necesaria para enfriar el compresor.
- Mantenga su congelador alejado del aire caliente, vapor o líquidos que puedan salpicarlo, ya que la unidad podría averiarse.
- Los rayos solares directos pueden dañar la capa acrílica, y las fuentes de calor pueden ocasionar un aumento en el consumo eléctrico. Manténgalo lo más alejado posible del agua para prevenir algún choque eléctrico. Evite los sitios húmedos y los ambientes extremadamente fríos ya que esto puede afectar la eficiencia del enfriamiento de su congelador.
- Evite ubicar su congelador en áreas mojadas o muy húmedas. Mucha humedad en el aire puede causar la formación de escarcha rápidamente y necesitará descongelar su congelador más frecuentemente.
- Conecte el congelador a un enchufe de pared exclusivo e instale el cable de tierra. Bajo ninguna razón se debe retirar la tercera punta del enchufe. Cualquier consulta con respecto a la energía y/o cable de tierra debe ser dirigida a un electricista certificado o autorizado por el Servicio Técnico de Avanti Products.

Conexión Eléctrica

⚡ ADVERTENCIA ⚡

EL USO INAPROPIADO DEL ENCHUFE A TIERRA PUEDE OCASIONAR RIESGO DE UN CHOQUE ELECTRICO. SI EL CORDON SE DAÑASE, LLEVELO A UN CENTRO DE SERVICIO AUTORIZADO POR AVANTI PRODUCTS PARA QUE SE REEMPLACE.

- Para su seguridad, esta máquina de hacer hielo debe estar apropiadamente conectada a tierra. El cordón eléctrico de esta máquina de hacer hielo esta equipado con un enchufe de tres puntas, el cual encaja perfectamente en los receptáculos/enchufes de pared de tres puntas estándar, para minimizar la posibilidad de un choque eléctrico.
- Bajo ninguna circunstancia corte o retire la tercera punta (cable a tierra) del enchufe del cordón eléctrico.
- Nunca use un cable de extensión para conectar la unidad a la electricidad.
- Nunca use un adaptado con enchufe de solo 2 puntas.
- Si solo puede conectar la máquina de hacer hielo a un receptáculo/enchufe de pared de 2 puntas, comuníquese con un electricista calificado para que reemplace ese receptáculo/enchufe de pared por uno de 3 puntas, de acuerdo con los códigos de electricidad aplicables.
- Esta máquina de hacer hielo requiere un receptáculo/enchufe de pared de tres puntas estándar de 115/120 voltios a.c.~/60hz.
- Para prevenir cualquier daño físico o lesión, el cordón debe ser asegurado detrás de la máquina de hacer hielo y no estar expuesto o colgando.

Cable de Extensión

Debido al posible riesgo de seguridad causado bajo ciertas circunstancias, se recomienda firmemente que no use un cable de extensión para este electrodoméstico. Sin embargo, si no tiene otra opción mas que usar un cable de extensión, asegúrese que este sea un cable de extensión para electrodomésticos que este listado bajo UL/CUL, que tenga enchufe y receptáculo para enchufe de tres puntas (cable a tierra) y que la capacidad del cordón eléctrico sea de 115 voltios y no menos de 10 amperios.

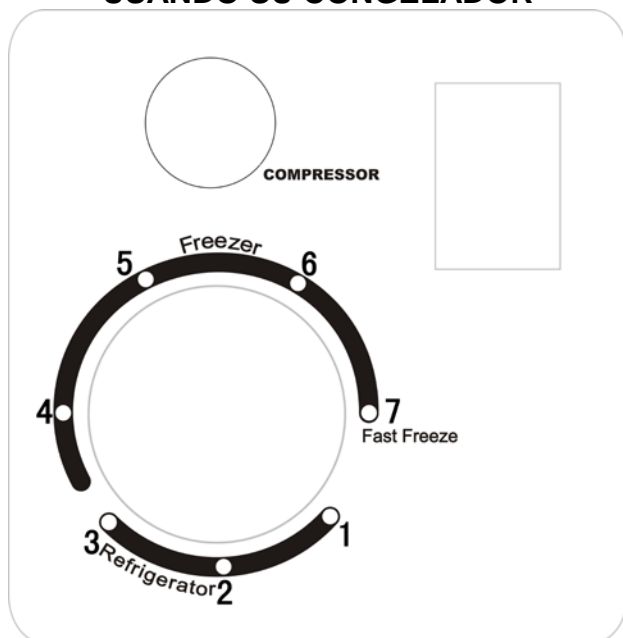
Protector contra variaciones de corriente eléctrica (Surge Protector).

La mayoría de electrodomésticos utilizan una series de paneles de control para operar. Estos paneles son muy susceptibles a las variaciones de corriente eléctrica, las cuales causan que estos se dañen o destruyen.

Si vive en un área o ciudad done hay muchas variaciones de corriente o apagones, se recomienda que utilice un protector contra variaciones de corriente para todos los electrodomésticos y aparatos eléctricos. El protector que elija debe bloquear una variación de electricidad alta para poder proteger el electrodoméstico al cual está conectado. Por favor contáctese con un electricista licenciado en su área si tuviera preguntas en referencia al tipo y tamaño de protector que necesita.

Daños debido a variaciones de electricidad no se consideran un defecto del fabricante y podrían anular la garantía.

USANDO SU CONGELADOR



➤ **Control de Temperatura**

- Su congelador tiene un control que regula la temperatura. El control de temperatura está ubicado en el lado de la unidad en la esquina inferior a mano izquierda.

Para usar como congelador:

- La primera vez que encienda su unidad, gire el control de temperatura hacia la derecha, hasta que la posición "7" o "Fast Freeze" de la sección "FREEZER". Después de 2 horas, ajuste el control de temperatura a su gusto; la posición de "5" o "6" será la más adecuada para uso en la casa u oficina.

Para usar como refrigerador:

La primera vez que encienda la unidad, gire el control de temperatura hacia la derecha a la posición #3, de la sección de "FRIDGE". Después de 24 horas, ajuste el control de temperatura a su gusto.

NOTA:

- Si la unidad se desconecta, pierde corriente o se apaga la llave principal, tendrá que esperar 3 a 5 minutos para volver a reiniciar la unidad. Si usted intenta reiniciar antes de este tiempo su congelador no encenderá.

➤ **Descongelando**

- Cuando descongelar? Para el mejor funcionamiento y consumo mínimo de energía de su congelador, descongele cuando las paredes internas estén llenas de escarcha o tengan un espesor de ¼ a ½ pulgada.
- Escoja un momento cuando no tenga muchos alimentos en el congelador.
- Cómo descongelar? Siguiendo estas indicaciones:

ADVERTENCIA

No use agua hirviendo porque dañará las partes de plástico. Tampoco use puntas o instrumentos metálicos para retirar la escarcha ya que dañará el espiral de enfriamiento y cancelará la garantía. Le recomendamos usar la espátula de plástico incluida con esta unidad.

- Retire los alimentos del congelador y colóquelos en una caja térmica para conservarlos y protegerlos.
- Desconecte el congelador.
- Durante el descongelamiento, el hielo se derrite dentro de la cabina.
- Para drenar el líquido retire la tapa de drenaje situada en la pared trasera.
- Coloque una bandeja afuera de la pared trasera para que drene.
- Vigile la bandeja de vez en cuando para que no se desborde.
- Limpie el interior de su congelador.
- Coloque la tapa de drenaje dentro del congelador y fuera del gabinete.
- Reconfigure el termostato según lo deseado.
- Deje que la cabina se enfríe por dos horas, luego coloque los alimentos.

INFORMACION ADICIONAL:

El descongelamiento toma pocas horas. Le ayudará, dejar abierta la puerta del congelador para apresurar el proceso de descongelamiento. Para acelerar el descongelamiento, eche agua caliente (no hirviendo), al hielo y la escarcha. Tenga mucho cuidado si usa la espátula para raspar el hielo, si lo hace muy fuerte puede dañar el compartimiento de su congelador y anular la garantía.

Compartimiento de su Congelador

- Este compartimiento está diseñado para un período largo (3 meses) de almacenamiento de alimentos congelados.
- El tiempo de almacenamiento de los alimentos congelados varía y se recomienda almacenar no más del tiempo recomendado. Cuando descongele su congelador deberá seguir cuidadosamente las instrucciones.
- Alimentos congelados preenvasados comercialmente deben ser almacenados de acuerdo con las indicaciones de su fabricante.
- Coloque los alimentos congelados dentro de su congelador inmediatamente después de comprarlos. Si hay indicaciones en el envase, sígalas cuidadosamente considerando el tiempo de almacenamiento.
- La puerta del congelador puede quebrarse cuando hay mucho hielo. Asegúrese de descongelarlo cuando el hielo haya excedido de ¼ a ½ pulgada de espesor.
- La canasta de almacenaje está diseñada para organizar toda clase de alimentos. Para colocar otros paquetes en su congelador, mueva la canasta a un lado o sáquela.

Cerradura de la puerta

Su unidad viene equipada con una combinación de cerradura y llave.

Las llaves (2) están dentro de la bolsa plástica junto al manual de instrucciones.

Introduzca la llave en la cerradura y gírela hacia la izquierda para cerrar la puerta.

Para abrirla, gire la llave hacia la derecha.

Quite la llave y colóquela en un lugar seguro para evitar que se pierda.

CUIDADO Y MANTENIMIENTO

➤ **Limpiando su Congelador**

- Después de instalar su congelador, se le recomienda que este sea limpiado a fondo.
- Desconecte el congelador y retire los alimentos y la canasta de almacenaje.
- Lave el interior con agua tibia y un trapo suave remojado en una solución de bicarbonato de sodio. La solución consiste en dos cucharadas de la referida sal en un litro de agua.
- Lave las canastas de almacenaje con un detergente suave.
- Asegúrese que la puerta quede herméticamente cerrada para que su congelador funcione eficientemente.
- Las partes externas de su congelador deben ser limpiadas con un detergente suave y agua tibia.
- Seque el interior y el exterior con un paño suave.
- Se recomienda que la unidad sea limpiada en el momento en que se descongela, con la finalidad de que quede libre de mal olor y operando eficientemente.

➤ **Si usted sale de Vacaciones**

- Retire todos los alimentos
- Desconecte su congelador
- Limpie su congelador
- Deje la puerta de su congelador ligeramente abierta para evitar la formación de mal olor, moho.
- Sea extremadamente cuidadoso si hay niños. El congelador no debe ser accesible a los niños.
- En el caso de ser un largo tiempo de almacenamiento, la puerta deberá ser sellada con cinta adhesiva para que no se abra o se deberá retirar la puerta.

➤ **Para mover su Congelador**

- Retire los alimentos
- Asegúrese de colocar cinta adhesiva a todo lo que se puede caer dentro de su congelador.
- Retire las ruedillas para prevenir accidentes.
- Selle las puertas con cinta adhesiva.
- Asegúrese que el congelador se mantenga parado durante el traslado.

➤ **Consejos Para Ahorrar Energía**

- Su congelador debe estar ubicado en el área más fría de la habitación, alejado de electrodomésticos que produzcan calor o conductos de aire caliente y lejos de los rayos solares.
- Deje enfriar los alimentos de acuerdo a la temperatura ambiental antes de colocarlos dentro del congelador. Si sobrecarga su congelador forzarán al compresor a funcionar más tiempo del normal. Los alimentos que se congelan lentamente pierden calidad y se descomponen.
- Asegúrese de envolver adecuadamente los alimentos y de secar los empaques o contenedores antes de colocarlos dentro del congelador. Colocarlos mojados ocasiona escarcha en el congelador.
- La canasta de almacenaje de su congelador no debe ser forrada con papel aluminio, papel de cera o papel toalla ya que esto interfiere con la circulación del aire frío restando eficiencia a su congelador.
- Organice y coloque etiquetas en los envases de los alimentos con la finalidad de abrir el congelador lo menos posible y encontrar rápidamente lo que usted está buscando. Retire la mayor cantidad posible de cosas que necesita a la vez y cierre la puerta del congelador tan pronto le sea posible.

PROBLEMAS CON SU CONGELADOR

Usted puede resolver muchos problemas comunes de su electrodoméstico fácilmente, ahorrándole el gasto de una posible visita del servicio técnico.

Pruebe las siguientes sugerencias para verificar si usted puede resolver el problema antes de llamar al servicio técnico.

GUIA PARA SOLUCIONAR PROBLEMAS

PROBLEMA	SOLUCION
Su electrodoméstico no funciona	No está conectado a la corriente eléctrica. El interruptor saltó o se quemó un fusible
El compresor se enciende y se apaga frecuentemente	La temperatura de la habitación es más caliente de lo normal. Colocó una cantidad muy grande de alimentos en el congelador. La puerta permanece abierta mucho tiempo. La puerta no quedó completamente cerrada. El control de temperatura no está funcionando correctamente. La empaquetadura de la puerta no la está sellando adecuadamente. El congelador no tiene el suficiente espacio libre. El congelador recientemente fue desconectado. Para que el congelador esté completamente frío necesitará enfriarse por cuatro horas.
La temperatura dentro del congelador está muy caliente.	La temperatura está programada muy caliente. Baje la temperatura con el control y espere unas horas hasta que se estabilice. Ha dejado la puerta abierta frecuentemente. El calor entra en el congelador cada vez que se abre la puerta. Abra la puerta lo menos posible. La puerta no está cerrada completamente. La empaquetadura de la puerta la está sellando adecuadamente. Probablemente colocó alimentos calientes recientemente El congelador recientemente fue desconectado. Para que el congelador esté completamente frío necesitará enfriarse por cuatro horas.
La temperatura dentro del congelador está muy fría.	El control de temperatura está programado muy frío. Suba la temperatura con el control y espere unas horas hasta que la temperatura se estabilice.
La temperatura de la superficie externa está caliente.	La pared externa del congelador puede estar 30° Fahrenheit más alta que la temperatura de la habitación. Esto es normal mientras el compresor funciona para transferir calor dentro de la cavidad del congelador.
Ruido fuerte cuando el congelador funciona.	Los congeladores modernos tienen más capacidad de almacenaje y la temperatura es más uniforme. Estos requieren compresores más eficientes. Ud. puede oír el compresor cuando no hay ruido alrededor.
Ruido fuerte cuando comienza a trabajar el compresor.	Esto es normal. Cuando el congelador funciona con presiones altas durante el ciclo de encendido. El sonido se acabará e irá desapareciendo de acuerdo a como vaya avanzando el congelamiento.
Sonidos similares a crujidos y estallidos	Las partes metálicas, como los ductos de agua caliente, se

cuando empieza a funcionar el compresor	dilatan y contraen. Esto es normal. El sonido desaparecerá paulatinamente.
Burbujeo o gorgoteo, como agua que hierve.	Esto es normal. Es el refrigerante (usado para enfriar el congelador) que está circulando a través del sistema.
Vibración.	Asegúrese que el congelador esté nivelado. El piso puede estar desnivelado. El congelador se puede estar meciendo. Asegúrese que la superficie donde tiene el congelador aguante el peso de este. Nivele el congelador colocando un pedazo de madera o de metal por debajo. Asegúrese que el electrodoméstico esté ubicado en un lugar totalmente plano.
Formación de humedad dentro del congelador.	Esto es normal. Cuando el clima es húmedo y caliente, la acumulación de escarcha aumenta. Se ha dejado la puerta frecuentemente abierta. El calor entra en el congelador cada vez que se abre la puerta. Abra la puerta lo menos posible. La puerta no está cerrada completamente. La empaquetadura de la puerta no está sellando adecuadamente
Formación de humedad fuera del congelador.	La puerta no está cerrada completamente. El calor entra en el congelador cada vez que se abre la puerta.
La puerta no cierra completamente	El congelador no está totalmente nivelado. El sellador de la puerta está sucio. La canasta de almacenaje está fuera de su sitio, obstaculizando el cierre de la puerta.

SERVICIO TECNICO PARA SU ELECTRODOMESTICO

Estamos orgullosos de nuestro servicio de atención al cliente y servicio que brindan nuestros técnicos profesionales en sus electrodomésticos Avanti. Con la compra de sus electrodomésticos Avanti, usted puede confiar pues si usted necesita información adicional o asistencia, el equipo del Departamento de Servicio al Cliente de Avanti Products, estará con usted para responder cualquier consulta o inquietud que usted tenga. Sólo llámenos gratis a los siguientes números telefónicos.

SERVICIO AL CLIENTE DE AVANTI PRODUCTS

Información del Producto 800-323-5029	Estamos dispuestos a ayudarlos si tiene dudas o preguntas acerca de nuestros productos.
Para solicitud de Partes 800-220-5570	Usted debe solicitar las partes y accesorios que necesite y nosotros se los enviaremos directamente a su domicilio. Usted puede solocotar lo que necesite y pagar con cheques personales, efectivo, Master Card o Visa.
Servicio de Reparación a domicilio 800-220-5570	Avanti Products autoriza al Centro de Servicio para brindarle un servicio experto de reparación, adecuándose al horario que usted encuentre conveniente. Nuestros técnicos conocen perfectamente nuestros productos tanto por dentro como por fuera.

Registration Information

Thank you for purchasing this fine Avanti product. Please fill out this form and return it to the following address within 100 days from the date of purchase and receive these important benefits:

Avanti Products LLC
P.O.Box 520604 – Miami, Florida 33152

➤ **Protect your product:**

We will keep the model number and date of purchase of your new Avanti product on file to help you refer to this information in the event of an insurance claim such as fire or theft.

➤ **Promote better products:**

We value your input. Your responses will help us develop products designed to best meet your future needs.

------(detach here)-----

Avanti Registration Card

<hr/>			<hr/>	
Name			Model #	Serial #
<hr/>			<hr/>	
Address			Date Purchased	Store / Dealer Name
<hr/>			<hr/>	
City	State	Zip	E-mail Address	
<hr/>			<hr/>	
Area Code	Phone Number		Occupation	
<hr/>			<hr/>	
Did You Purchase An Additional Warranty			As your Primary Residence, Do You:	
<input type="checkbox"/> Extended			<input type="checkbox"/> Own	
<input type="checkbox"/> None			<input type="checkbox"/> Rent	
<hr/>			<hr/>	
Reason for Choosing This Avanti Product: Please indicate the most important factors That influenced your decision to purchase this product:			Your Age:	
<input type="checkbox"/> Price			<input type="checkbox"/> under 18	
<input type="checkbox"/> Product Features			<input type="checkbox"/> 18-25	
<input type="checkbox"/> Avanti Reputation			<input type="checkbox"/> 26-30	
<input type="checkbox"/> Product Quality			<input type="checkbox"/> 31-35	
<input type="checkbox"/> Salesperson Recommendation			<input type="checkbox"/> 36-50	
<input type="checkbox"/> Other: _____			<input type="checkbox"/> over 50	
<input type="checkbox"/> Friend / Relative Recommendation			Marital Status:	
<input type="checkbox"/> Warranty			<input type="checkbox"/> Married	
<input type="checkbox"/> Other: _____			<input type="checkbox"/> Single	
<hr/>			<hr/>	
Comments:			Is This Product Used In The:	
<hr/>			<input type="checkbox"/> Home	
<hr/>			<input type="checkbox"/> Business	
<hr/>			How Did You Learn About This Product:	
<hr/>			<input type="checkbox"/> Advertising	
<hr/>			<input type="checkbox"/> In-Store Demo	
<hr/>			<input type="checkbox"/> Personal Demo	
<hr/>			<hr/>	
<hr/>			<hr/>	

CFC43Q0WG - 08282015

PRINTED IN CHINA