



TRU36GGBL New product

Victoria

Free-standing All-Gas "Victoria" Range
36" - Glossy black

EAN13: 8017709220938

Traditional Style

- Electronic clock with programmable features
- Full-width continuous grates
- Stainless steel storage drawer beneath the oven
- 1 ¼" Island Trim

Gas oven:

- 2 cooking modes
- Programmable timer
- Adjustable thermostat 122° -500°F
- Air-cooled triple-glazed removable door
- True European convection
- Oven capacity: 4.4 cu. ft.
- "Ever-Clean" enameled interior cavity
- 4 shelf positions
- 2x halogen oven lights
- Bake element 1.7 kW
- Broil element 2.9 kW
- Convection element 1.55 kW

Gas Rangetop:

- 5 gas burners
- Right-rear 6500 BTU
- Left-rear 6500 BTU
- Right-rear 3400 BTU
- Left-front 10000 BTU
- Central double-inset super burner 18000 BTU
- Heavy-duty cast iron grates
- Automatic electric ignition
- LP gas conversion kit included

Safety:

- Gas safety valves
- Air-cooled door to prevent overheating
- Connected load nominal power: 240/120V
- Voltage rating: @ 240/120V 60Hz
- Amp supply required: 240/120V - 15/13.5Amps
- Gas inlet location: back top-right

Accessories included:

- 1 wok ring
- 1 moka ring
- 1 rotisserie kit
- 2 baking trays
- 2 chrome shelves



5 1/3" backsplash

Functions



Versions

- **TRU36GGX** - Stainless steel
- **TRU36GGP** - Cream enamel

SMEG U.S.A. INC.
A&D BUILDING
150 EAST 58th STREET, 7th FLOOR
NEW YORK, NY, 10155
Tel. +1 212 265 5378
Fax +1 212 265 5945



Main Oven



Convection Gas with Fan:

Convection gas with fan cook mode allows different foods to be cooked at the same time on different racks, without odour transfer. The numerous benefits include more uniform heat, more constant temperature and reduced pre-heat time which create excellent and efficient performance.



Defrost:

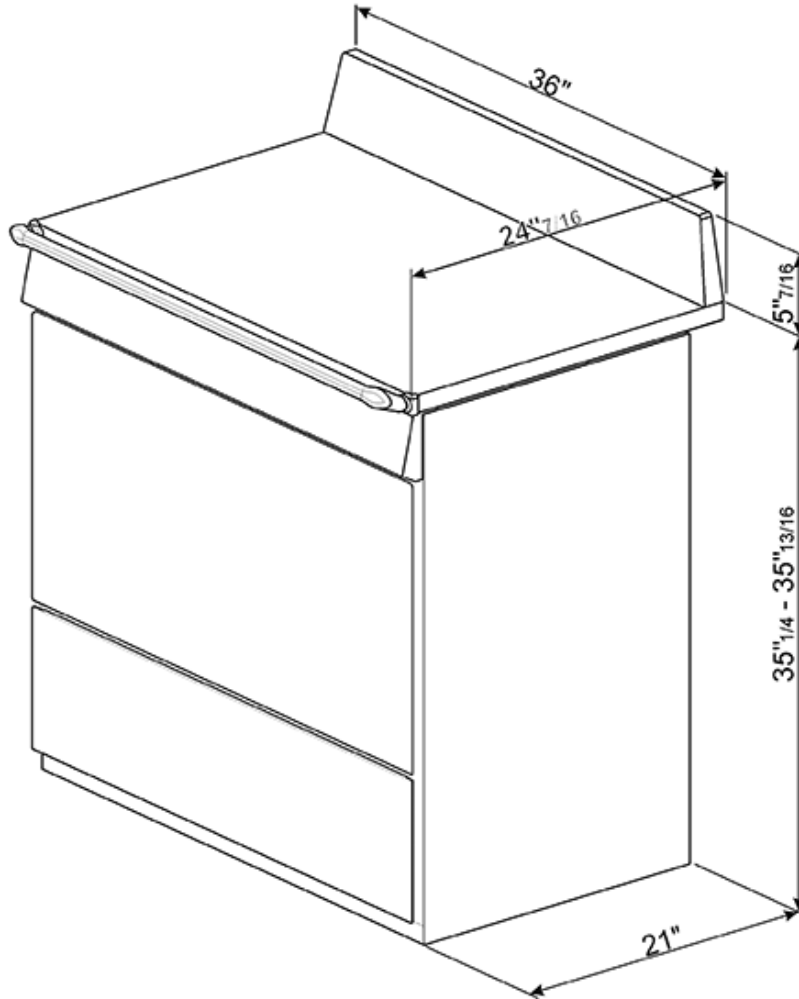
The circulation of air at room temperature enables quicker thawing of frozen food, (without the use of any heat). Ideal for use prior to cooking of readymade dishes, or cream filled products etc.



TRU36GGBL

Victoria

36"
glossy black
cooktops type: gas
oven type: gas



SMEG U.S.A. INC.
A&D BUILDING
150 EAST 58th STREET, 7th FLOOR
NEW YORK, NY, 10155
Tel. +1 212 265 5378
Fax +1 212 265 5945