

## C36GGXU

### classic

Free-Standing Gas Range, 36",  
Stainless Steel

EAN13: 8017709173142

#### Professional style

AISI 304 stainless steel

Sturdy American control knobs

4" Polished stainless steel backsplash

#### Gas Oven:

3 Cooking modes

Gas Convection mode

Broil mode

Defrost mode

Fan option for static gas

"Ever-clean" enamelled oven interior

4 Shelf positions

Air cooled triple glazed removable door

2 Lights oven lights

Oven capacity: 4.4 Cu. Ft

Gas broil element: 19,000 BTU

Gas bake element: 18,000 BTU

#### Gas Rangetop:

Heavy duty cast iron grates

Full width grates

Sealed burners

Automatic electronic ignition

Safety valves

LP Gas conversion kit included

#### 6 Gas Burners:

Right-rear 10000 BTU

Central rear double-inset super burner 15000 BTU

Left-rear 3400 BTU

Right-rear 6200 BTU

Central front 3400 BTU

Left-front 6200 BTU

#### Safety:

Gas safety valves

Ventilated door with cooling system to prevent  
overheating

Anti-tilting norms satisfied

Suitable for building-in

Connected load nominal power 120V

Amp supply required @ 120V: 1.2 Amp

Voltage rating: 120V 60Hz



Gas inlet location: back top right

**Accessories Included:**

- 1 Baking tray
- 1 Chrome shelf
- 1 Wire rack
- 1 Wok ring
- 1 Moka ring

## Options

---

- **KIT136XU** - Island trim
- **8MCCU** - "Classic" control knob kit

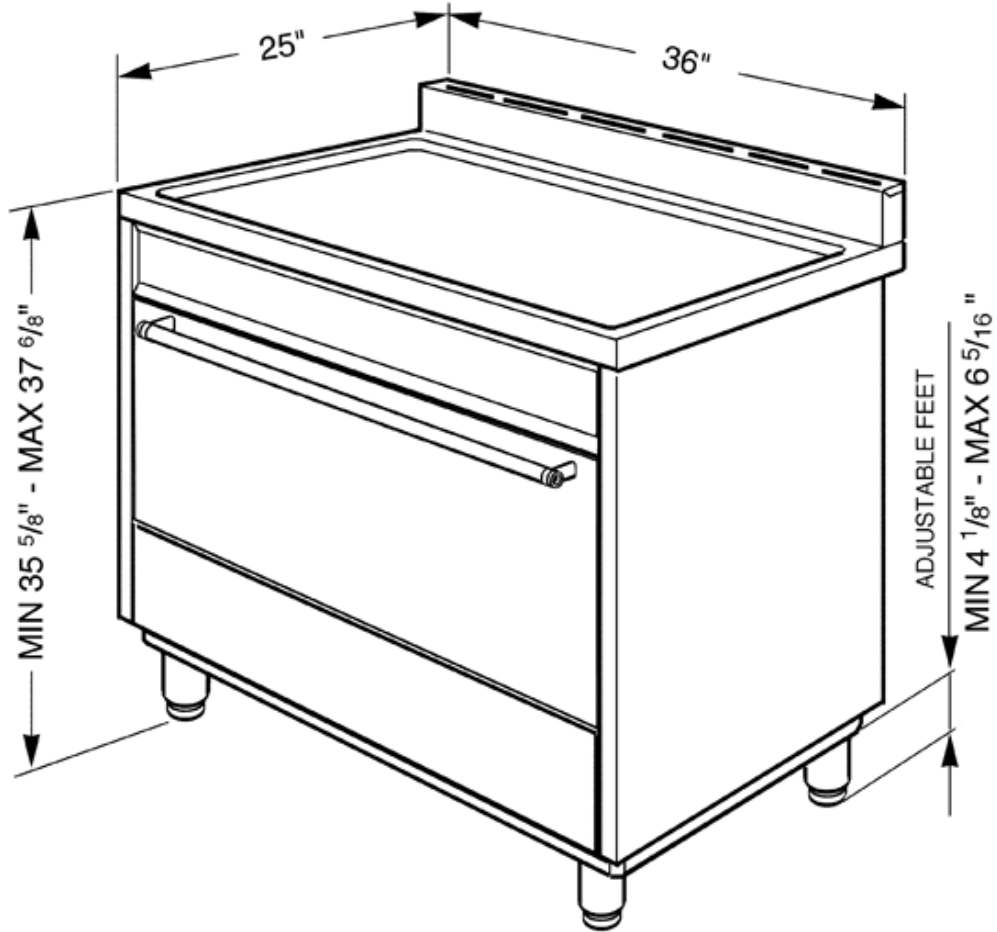
**SMEG U.S.A. INC.  
A&D BUILDING  
150 EAST 58th STREET, 7th FLOOR  
NEW YORK, NY, 10155  
Tel. +1 212 265 5378  
Fax +1 212 265 5945**



**C36GGXU**

classic

30"  
stainless steel  
cooktops type: gas  
oven type: gas



SMEG U.S.A. INC.  
A&D BUILDING  
150 EAST 58th STREET, 7th FLOOR  
NEW YORK, NY, 10155  
Tel. +1 212 265 5378  
Fax +1 212 265 5945