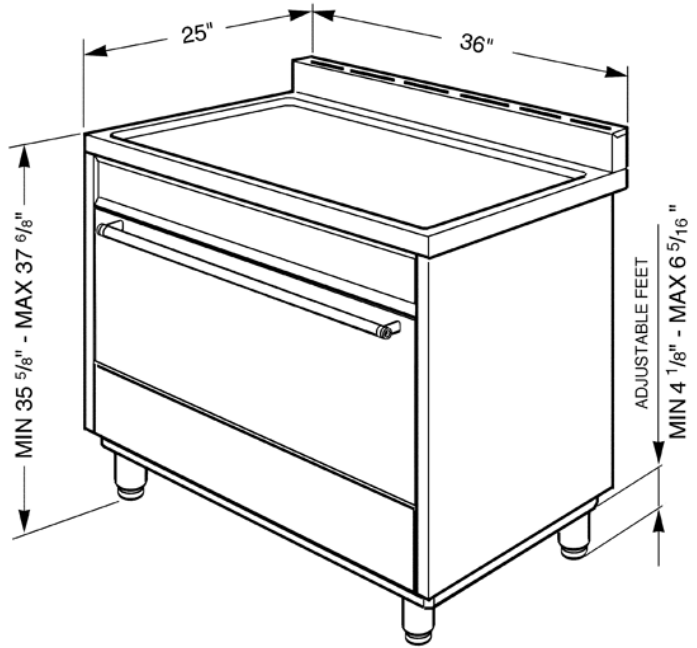




C36GGXU

Free-Standing Gas Range, 36",  
Stainless Steel  
EAN13: 8017709173142



• **Professional style** • AISI 304 stainless steel • Sturdy American control knobs • 4" Polished stainless steel backsplash • **Gas Oven:** • 3 Cooking modes • Gas Convection mode • Broil mode • Defrost mode • Fan option for static gas • "Ever-clean" enamelled oven interior • 4 Shelf positions • Air cooled triple glazed removable door • 2 Lights oven lights • Oven capacity: 4.4 Cu. Ft • Gas broil element: 19,000 BTU • Gas bake element: 18,000 BTU • **Gas Rangetop:** • Heavy duty cast iron grates • Full width grates • Sealed burners • Automatic electronic ignition • Safety valves • LP Gas conversion kit included • **6 Gas Burners:** • Right-rear 10000 BTU • Central rear double-inset super burner 15000 BTU • Left-rear 3400 BTU • Right-rear 6200 BTU • Central front 3400 BTU • Left-front 6200 BTU • **Safety:** • Gas safety valves • Ventilated door with cooling system to prevent overheating • Anti-tilting norms satisfied • Suitable for building-in • Connected load nominal power 120V • Amp supply required @ 120V: 1.2 Amp • Voltage rating: 120V 60Hz • Gas inlet location: back top right • **Accessories Included:** • 1 Baking tray • 1 Chrome shelf • 1 Wire rack • 1 Wok ring • 1 Moka ring

## Options

- KIT136XU - Island trim • 8MCCU - "Classic" control knob kit