

FQ50UFXE

New product

classic

36", Stainless steel, 2 doors and
2 drawers

EAN13: 8017709255275

Installation: Free Standing

Cooling type: No frost

Defrost: Automatic

Aesthetics

Design: Flat

Material: Stainless steel

Door steel type: Fingerprint proof

Logo color: Silver

Handle color: Stainless steel

Cabinet material: Steel

Side color: Silver

Door shelves profile color: Silver

Drawers profile color: Silver

Color of glass shelf profile: White

LCD Touch Display

Refrigerator compartment features

Number of fruit and vegetables drawers: 2

Number of adjustable shelves: 2

Adjustable shelves: Glass

Crisper/vegetable drawers cover: Glass

LED Lighting

Life Plus zone-32°F

Internal LED light in fridge

Type of internal light (fridge): LED

Refrigerator Inner Door

Number of door shelves with transparent cover: 2

Number of adjustable door shelves: 4

Number of bottle shelves: 2

Other Refrigerator features

Accessories: Egg tray



MultiFlow air ventilation

Crisper Drawers - fresher fruits and vegetables

Large, gallon-sized shelves

Freezer compartment features

Number of drawers: 2

Other Freezer features

Ice maker: Automatic

Ice tray shelf

Other Technical Features

Functions display: Holiday, Fast freezing, Control lock,
Temperature alarm

MultiZone - Convertible/Multi-Use freezer zone

Fast freezing option

Door open alarm

Temperature Alarm

Electronic temperature control

Dual Air-Cooling System: Separate cooling systems for refrigerator, and freezer compartment

Refrigerant type: R134a

Performance / Energy Label

Annual energy consumption: 623 KWh

Storage volume fresh food compartment: 14.7 cu.ft.

Storage volume frozen food compartment: 6.0 cu.ft.

Total storage volume: 19.0 cu.ft.

Total gross volume: 22.0 cu.ft.

4 No-Frost system: Total

Thaw time: 20 hrs

Noise level: 45 dB(A)

Electrical Connection

Electrical connection rating: 160 W

Current: 2.7 Amp

Voltage (V): 115 V

Frequency (Hz): 60 Hz

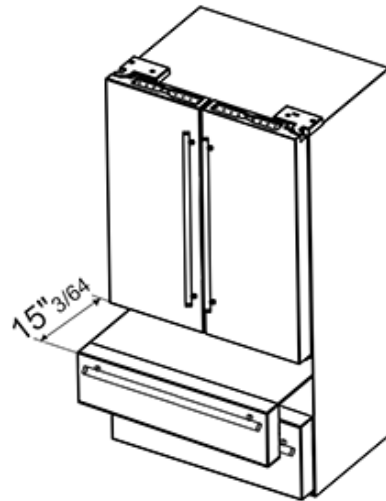
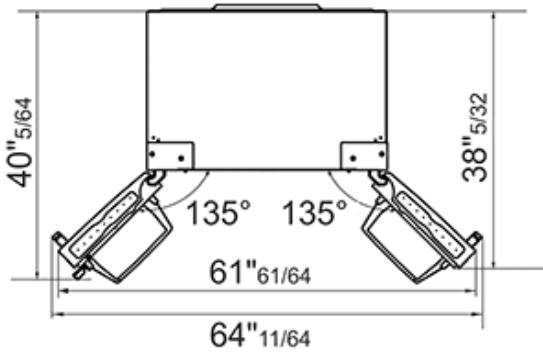
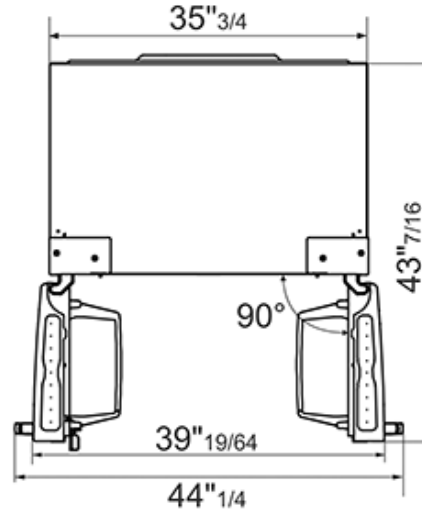
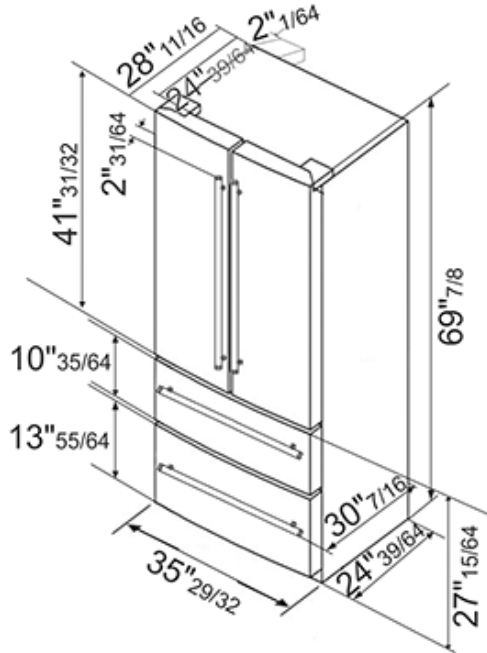
SMEG U.S.A. INC.
A&D BUILDING
150 EAST 58th STREET, 7th FLOOR
NEW YORK, NY, 10155
Tel. +1 212 265 5378
Fax +1 212 265 5945



FQ50UFXE

classic

fridge
free standing
2 doors and 2 drawers
stainless steel
36"



SMEG U.S.A. INC.
A&D BUILDING
150 EAST 58th STREET, 7th FLOOR
NEW YORK, NY, 10155
Tel. +1 212 265 5378
Fax +1 212 265 5945