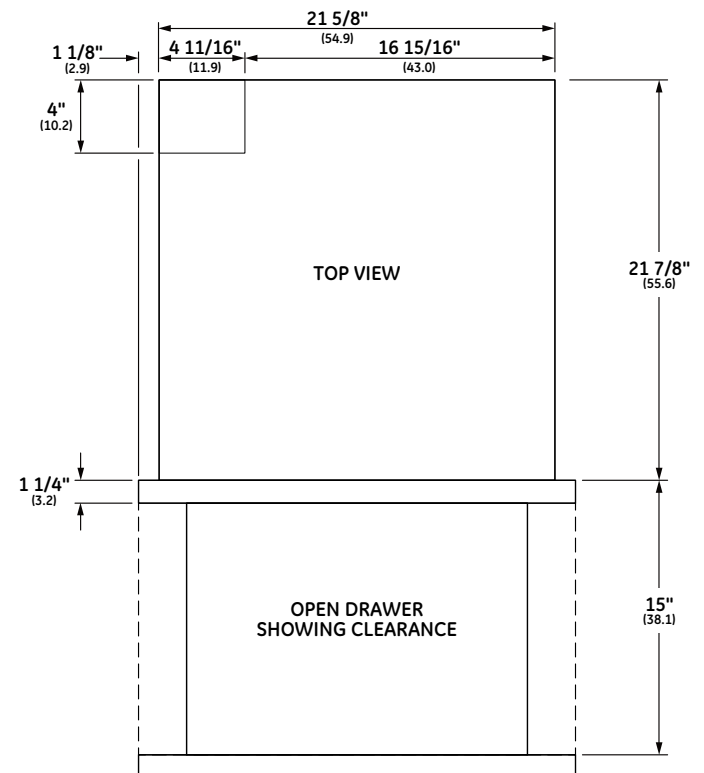
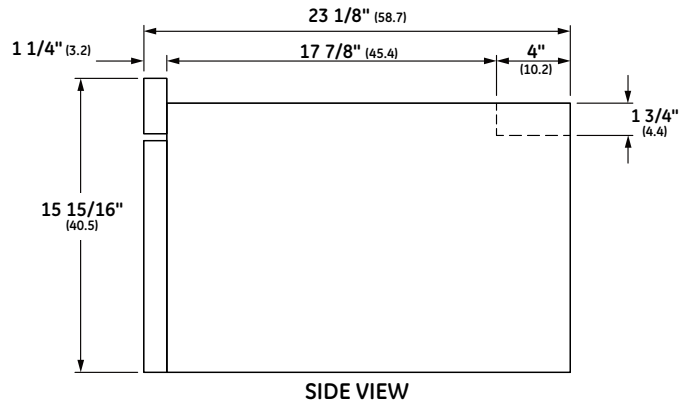
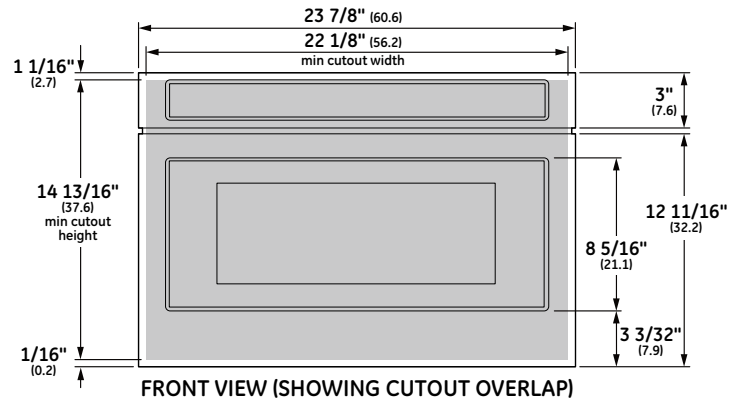




OVERALL DIMENSIONS



SPECIFICATIONS

Overall Width	23 7/8" (60.6 cm)
Overall Height	15 15/16" (40.5 cm)
Overall Depth	23 1/8" (58.7 cm)
Oven Door Clearance	15" (38.1 cm) Min
Overall Oven Interior Capacity	1.2 cu. ft. (.02 cu. cm)
Oven Interior Dimensions (W x H x D)	16 1/4" x 7 1/4" x 16 1/4" (41.3 cm x 18.4 cm x 41.3cm)
Minimum Cabinet Width*	23 7/8" (60.6 cm)
Minimum Cabinet Depth*	23 1/2" (59.7 cm)
Minimum Base Support	110 lbs (49.9 kg)
Cutout Width*	22 1/8" (56.2 cm) Min
Cutout Height*	14 13/16" (37.6 cm) Min
Cutout Depth*	23 1/2" (59.7 cm) Min
Volts/Hertz/Amps	120 VAC, 60 Hz
Cord Length	47 1/4" (119.4 cm)
Electrical Rating	1.67 kw@120v
Total Amps	15
Shipping Weight	90 lbs (39.4 kg)

*Additional space will be needed for flush installation.

ATTENTION ELECTRICIAN:

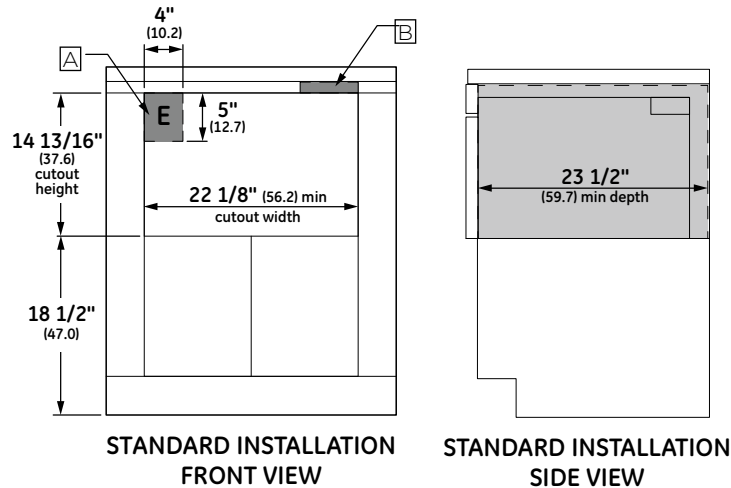
A 120VAC, 60Hz, 20 Amp circuit is required. An individual properly grounded branch circuit or circuit breaker is required. Hard wired junction box is required for built-in product.

Dimensions in parentheses are in centimeters unless otherwise noted. Actual product dimensions may vary due to manufacturing tolerances.

ELEVATE EVERYTHING™



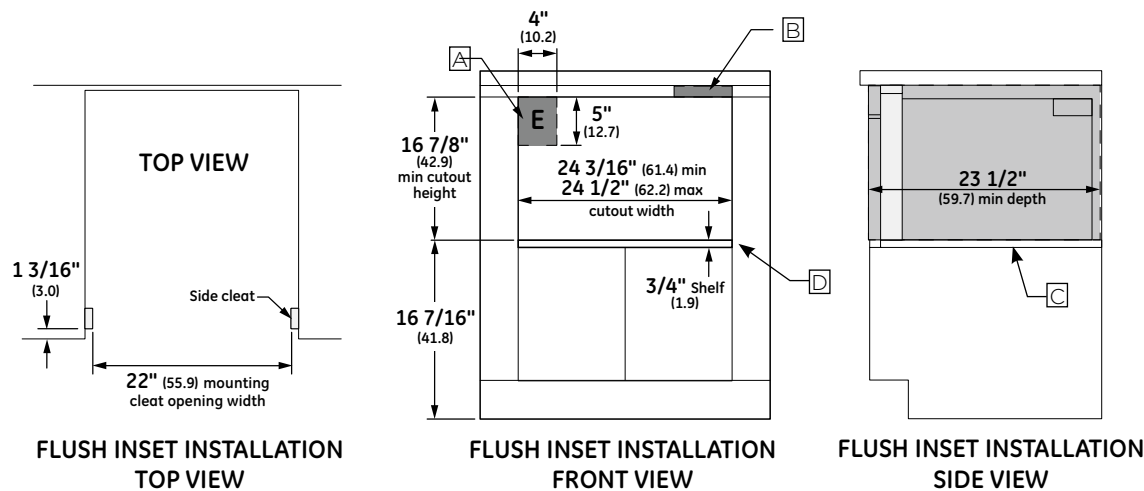
STANDARD INSTALLATION



NOTES

- Ⓐ Junction box location (May also be located in adjacent cabinet.)
- Ⓑ To reduce the risk of tipping of the drawer, the Anti-Tip block must be properly installed located 14-13/16" above the floor on which the Microwave Drawer will sit. The Anti-Tip block must be provided and pre-installed by the purchaser of the product or builder before install can be done. The Anti-Tip block prevents serious injury that might result from spilled hot liquids.
- Ⓒ Cleats may be visible and should be finished to match cabinetry.
- Ⓓ The face of the shelf must sit 1-7/8" back from the face of the cabinet. See installation instructions for further details including the installation of 24" flush mount deflector vent.

FLUSH INSTALLATION



For more details, refer to the installation instructions for this product on Monogram.com. Dimensions in parentheses are in centimeters unless otherwise noted.

ELEVATE EVERYTHING™



FEATURES AND BENEFITS

SOPHISTICATED STYLING

Offers a look of modern refinement that blends beautifully with both European and Professional styles

1.2-CU.-FT. CAPACITY

Accommodates large plates and cookware with ease

FLUSH INSTALLATION CAPABILITY

Enables the drawer to be installed flush with cabinetry without any additional parts

GLASS TOUCH CONTROL WITH WHITE LED DISPLAY

Makes it easy to adjust settings and adds to the drawer's sleek, streamlined appearance

10 COOKING MODES, INCLUDING MELT, SOFTEN, AND KEEP WARM

Provide cooking convenience and flexibility

900 WATTS

Cooking power delivers rapid, even heat

SENSOR COOKING

Automatically adjusts time and power settings for optimal results

QUICKSTART OPTION

Allows you to add 60 seconds of cooking time with a simple touch

CONTROL LOCK FEATURE

Prevents unwanted use for extra peace of mind

INSTALLATION FLEXIBILITY

Allows the drawer to fit unobtrusively under a standard 24-in.-width cabinet

EASY ACCESS OPTION

Allow you to open and close the drawer with the push of a button or by gently pulling or pushing the recessed handle



ELEVATE EVERYTHING

MONOGRAM