

# PureLine Plumbed Combi-Steam Oven XXL

DGC 6865 XXL



# PureLine Plumbed Combi-Steam Oven

## DGC 6865 XXL



### DGC 6865 XXL

#### Features:

- Plumbed water connection
- Class leading capacity with 41% more space than XL (with 4 shelf levels)
- M Touch innovative and revolutionary controls are both easy-to-operate and navigate
- MultiSteam technology delivers powerful external steam generation and optimum steam distribution via 6 inlet ports
- Wired roast probe for perfect roasting
- 3-in-1 appliance
  1. True European convection oven
  2. Steam oven
  3. Combination of steam and convection oven
- MasterChef and MasterChef Gourmet menus offer over 100 food types to cook to perfection
- Lift up control panel conceals water and condensate container (both containers are dishwasher safe)
- Clean Glass door for easy clean-up

### SPECIFICATIONS

DGC 6865 XXL — Item 23686553USA

Overall Fascia Dimensions 23<sup>7</sup>/<sub>16</sub>" (595 mm) W x 23<sup>7</sup>/<sub>16</sub>" (595 mm) H x 7<sup>7</sup>/<sub>8</sub>" (23 mm) D

Overall Unit Width - Excluding Fascia Dimension 21<sup>9</sup>/<sub>16</sub>" (548 mm)

Overall Unit Height - Excluding Fascia Dimension 23<sup>1</sup>/<sub>4</sub>" (590 mm)

Overall Unit Depth - Excluding Fascia Dimension 22<sup>3</sup>/<sub>8</sub>" (567 mm)

#### Built-In

Minimum Cabinet Width 22<sup>1</sup>/<sub>16</sub>" (560 mm)

Minimum Cabinet Depth 22<sup>1</sup>/<sub>2</sub>" (572 mm)

Minimum Opening Height 23<sup>3</sup>/<sub>8</sub>" (593 mm)

Additional Cut-Outs Required Venting and plumbing cut-out required 19<sup>11</sup>/<sub>16</sub>" x 1<sup>9</sup>/<sub>16</sub>" (500 mm x 40 mm)

#### Plumbing

**Water Supply Requirements**  
Connect to a cold water supply only. Must be connected to a shut-off valve. The water shut-off valve must be accessible after installation. The water pressure must be between 14.5 psi (1 bar) and may not exceed 87 psi (6 bar). If the pressure is higher than 87 psi (6 bar), a pressure reducing valve must be installed.

**Drainage Requirements**  
The drainage trap must not be located higher than the drain hose connection point on the appliance. This is to ensure that water can drain out completely after a program. The top of the drain hose must not be higher than 19<sup>11</sup>/<sub>16</sub>" (500 mm) to where it connects to the drain trap. The drain hose must not be shortened. See installation manual for additional information.

**Water Intake Hose Connection**  
Supplied hose: flexible braided hose 6'6" (2 m) with a 3/4" BPT fitting for connection to a shut off valve. The hose must not be shortened.

**Drain Hose Connection**  
Supplied hose: flexible pastic hose 9'10" (3 m) with a 3/4" end for connection to siphon. The plastic drain hose supplied must not be shortened.

#### Electrical

Electrical Requirements 208/240V, 60Hz, 20A

Power Cord Molded plug - NEMA 6-20 power cord 6' 6<sup>3</sup>/<sub>4</sub>" (2 m)

#### Shipping

Shipping Weight 136 lbs (62 kg)

Shipping Dimensions 28<sup>7</sup>/<sub>8</sub>" W x 28<sup>3</sup>/<sub>8</sub>" H x 26<sup>5</sup>/<sub>8</sub>" L

#### Support

Call Miele 800.843.7231

Miele Website [www.mieleusa.com](http://www.mieleusa.com)

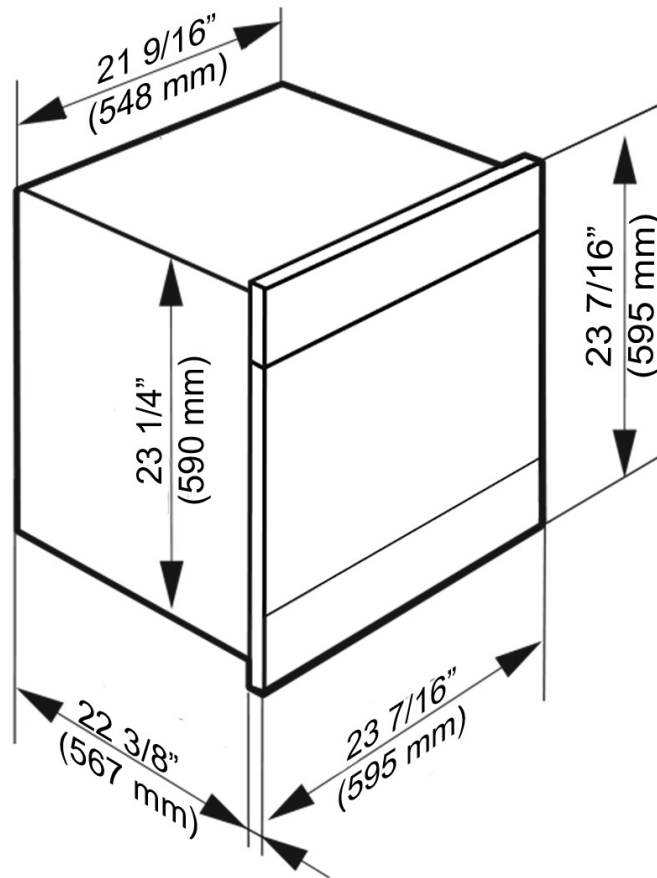
20/20 Link [2020technologies.com](http://2020technologies.com)

# PureLine Plumbed Combi-Steam Oven DGC 6865 XXL



## PRODUCT SPECIFICATIONS

Isometric View

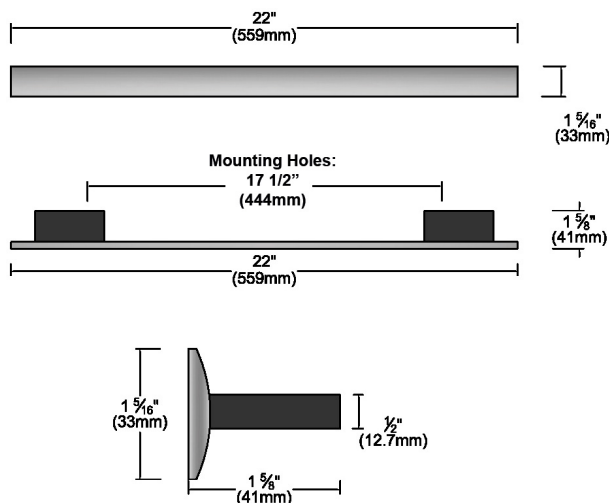


# PureLine Plumbed Combi-Steam Oven DGC 6865 XXL



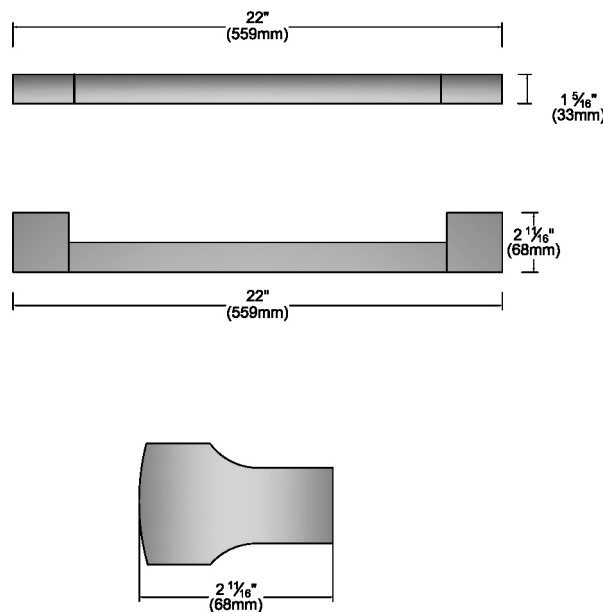
## HANDLE DETAILS

All Miele Signature And PureLine  
Handle Dimensions



Please note hinges may require adjusting or replacing when changing from a ContourLine Handle to a PureLine or Miele Signature Handle.

All ContourLine Handle  
Dimensions



Please note hinges may require adjusting or replacing when changing from a PureLine or Miele Signature Handle to a ContourLine Handle.