



# SUMMERSET

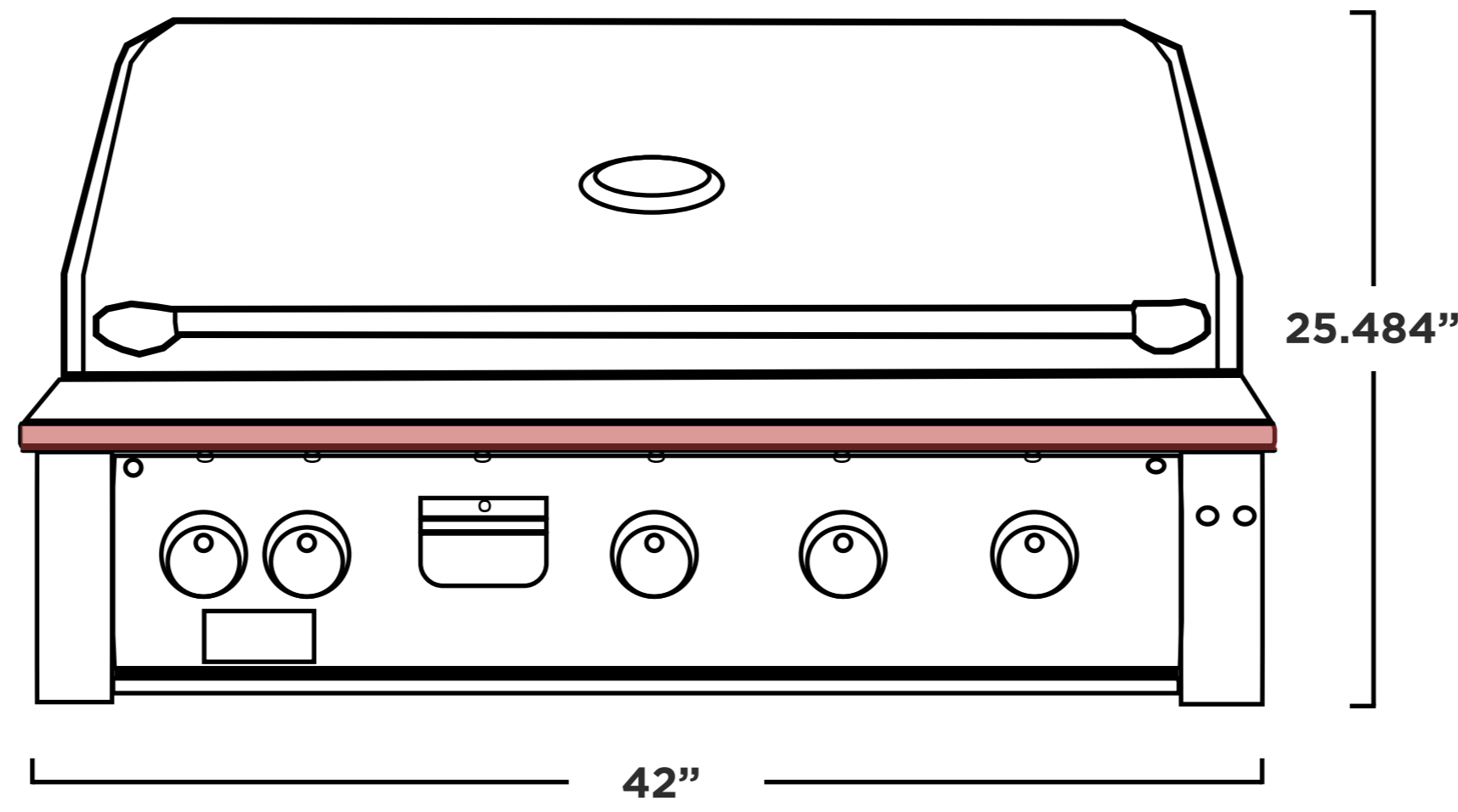
PROFESSIONAL GRILLS

## 42" - Alturi

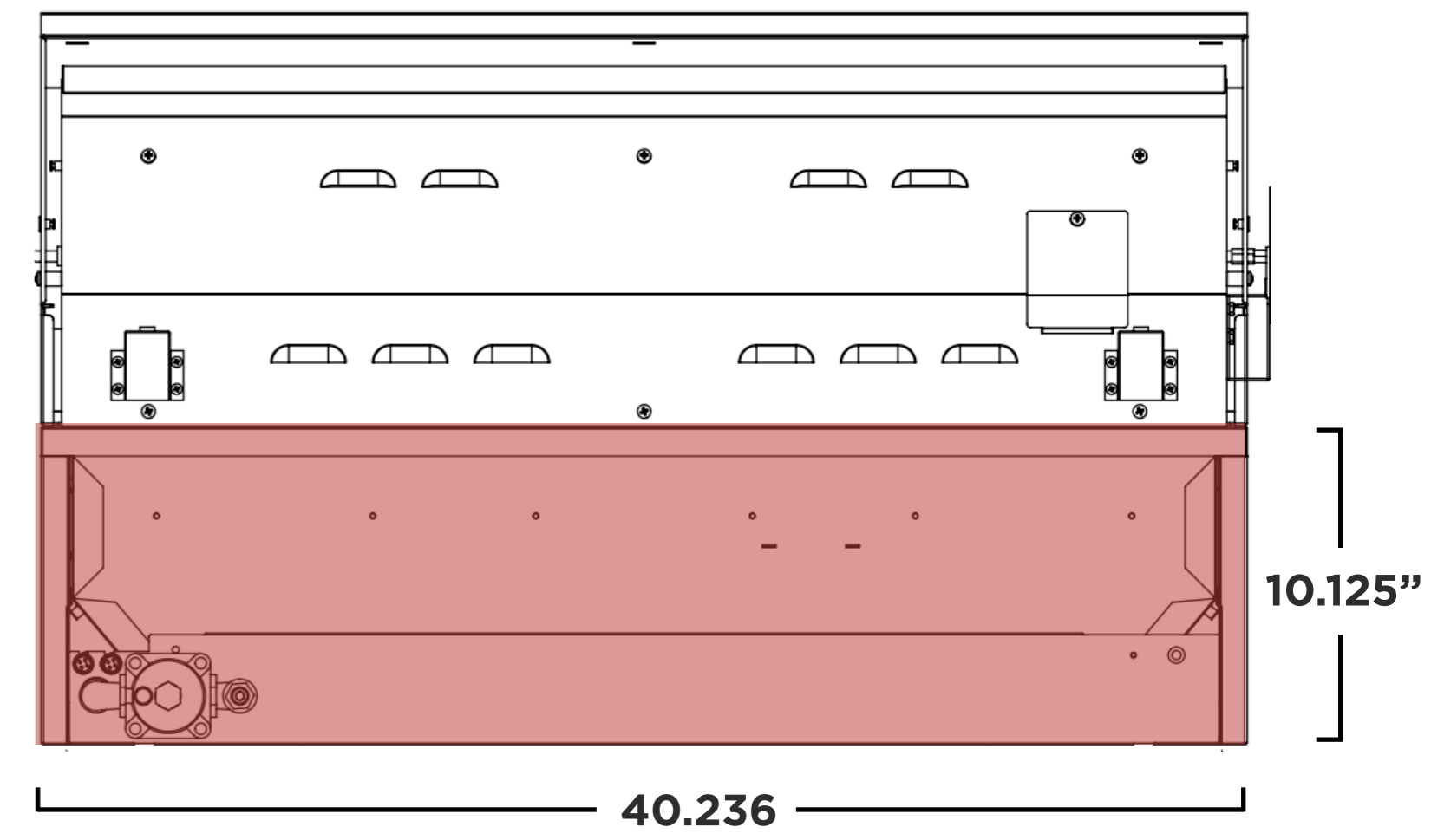
<b>Model</b>	ALT42
<b>Cutout Dimensions**</b>	40.5"W x 10.1875"H x 23.0625"D
<b>Actual Dimensions</b>	42"W x 25.484"H x 26.649"D
<b>Material</b>	#304 Stainless Steel
<b>Burner Count</b>	3 Main Burner
<b>Total BTU</b>	100,000 BTU
<b>Total Cooking Surface</b>	1,220 sq. in.
<b>Electical Supply</b>	120 VAC, 60 HZ - Input 12 VAC, 5000 mA, 60W - Output
<b>Gas Inlet NG</b>	3/8" NPT Female Regulator
<b>Gas Inlet LP</b>	3/8" NPT Male Fitting
<b>Power Cord Length</b>	13 ft. : 77" Power Cord + 80" Trans Wire

### NOTES

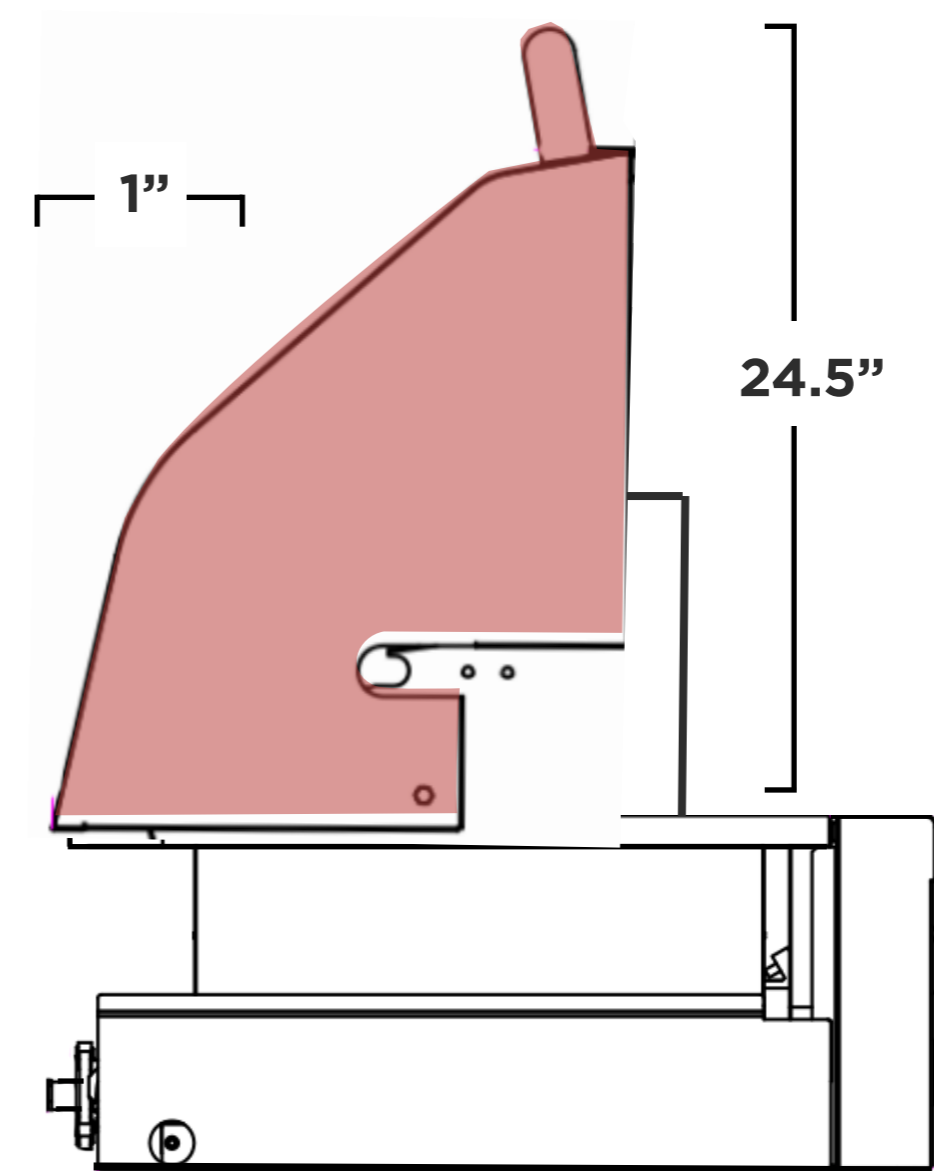
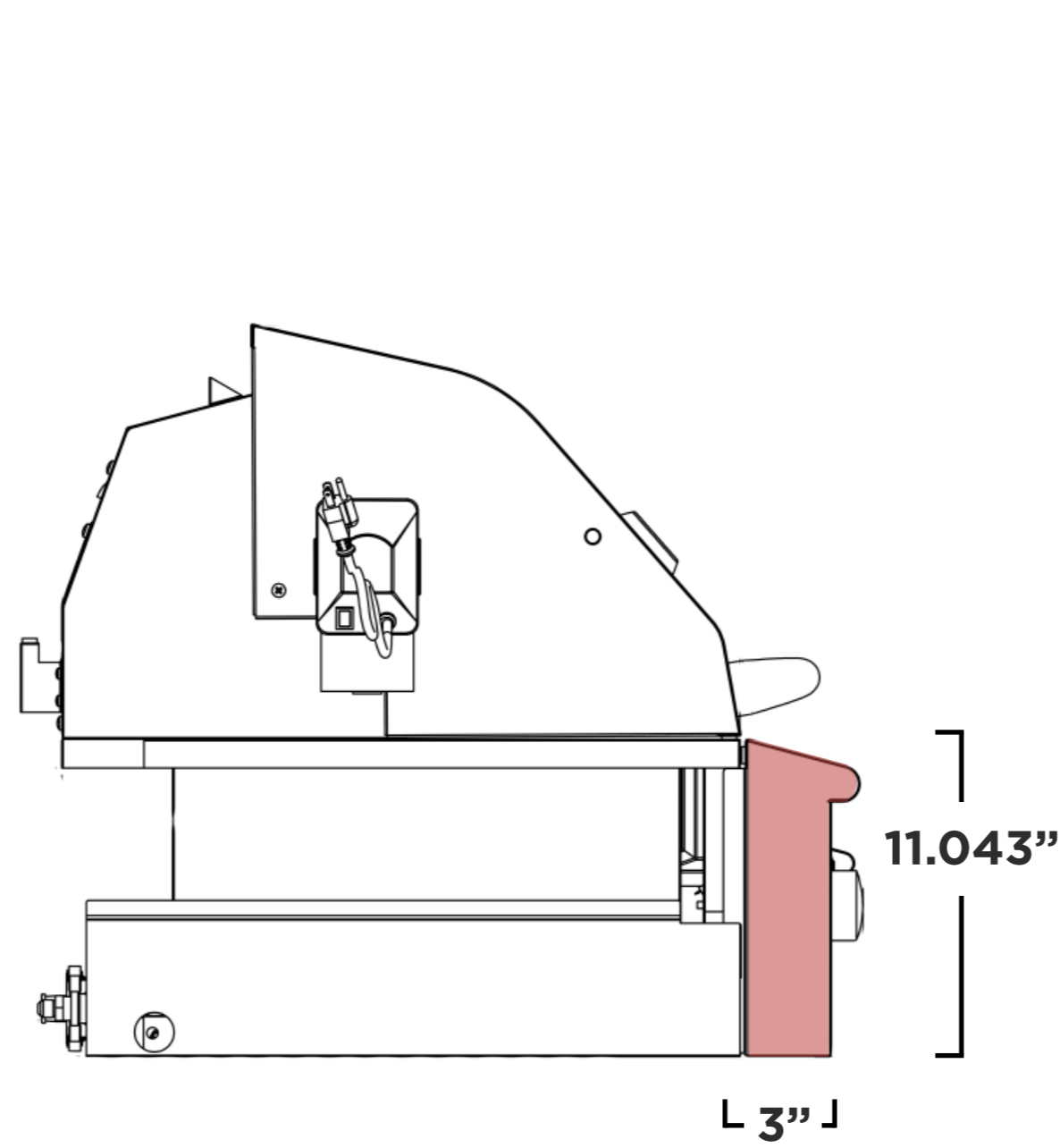
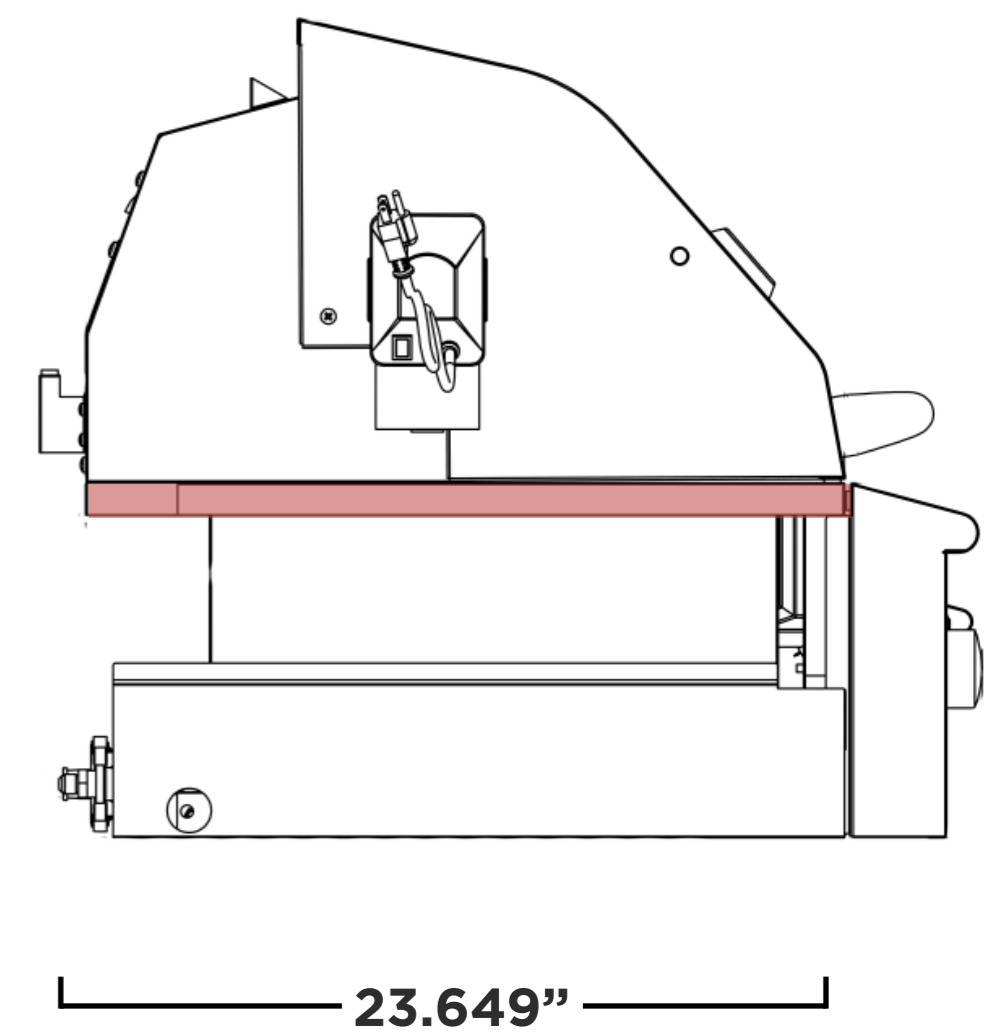
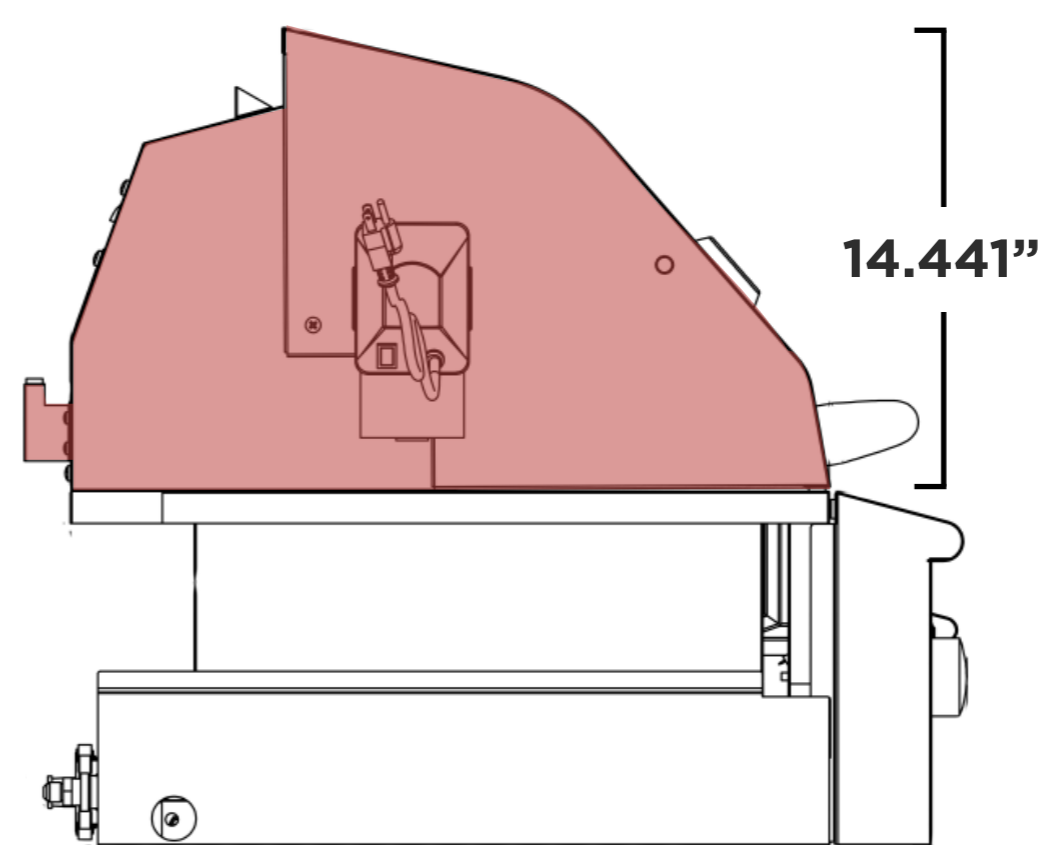
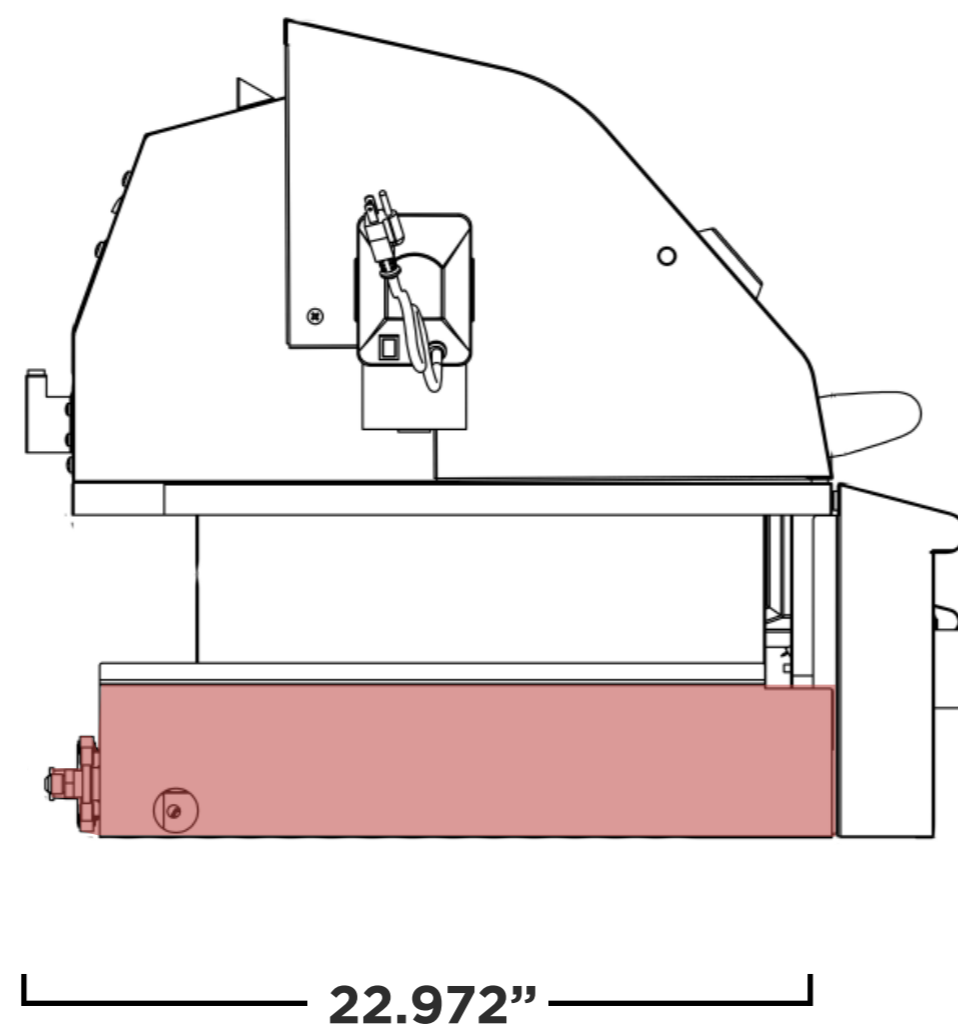
**Front**



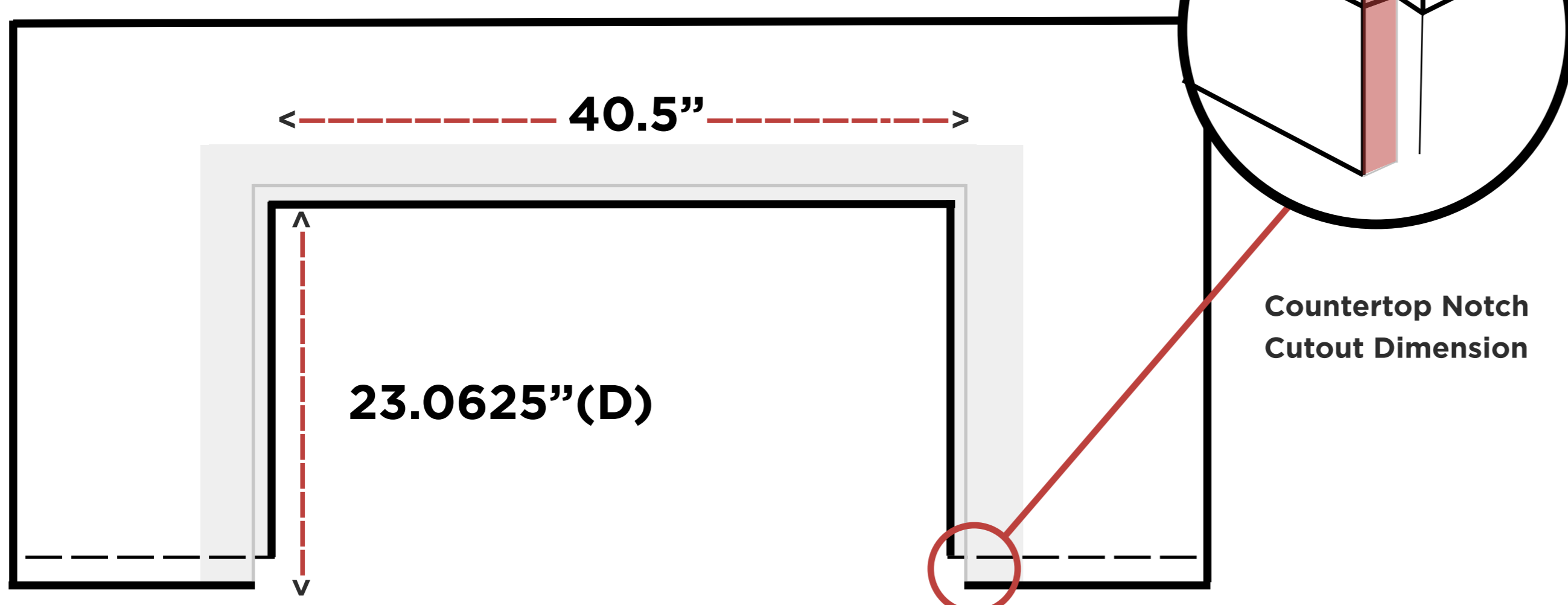
**Rear**



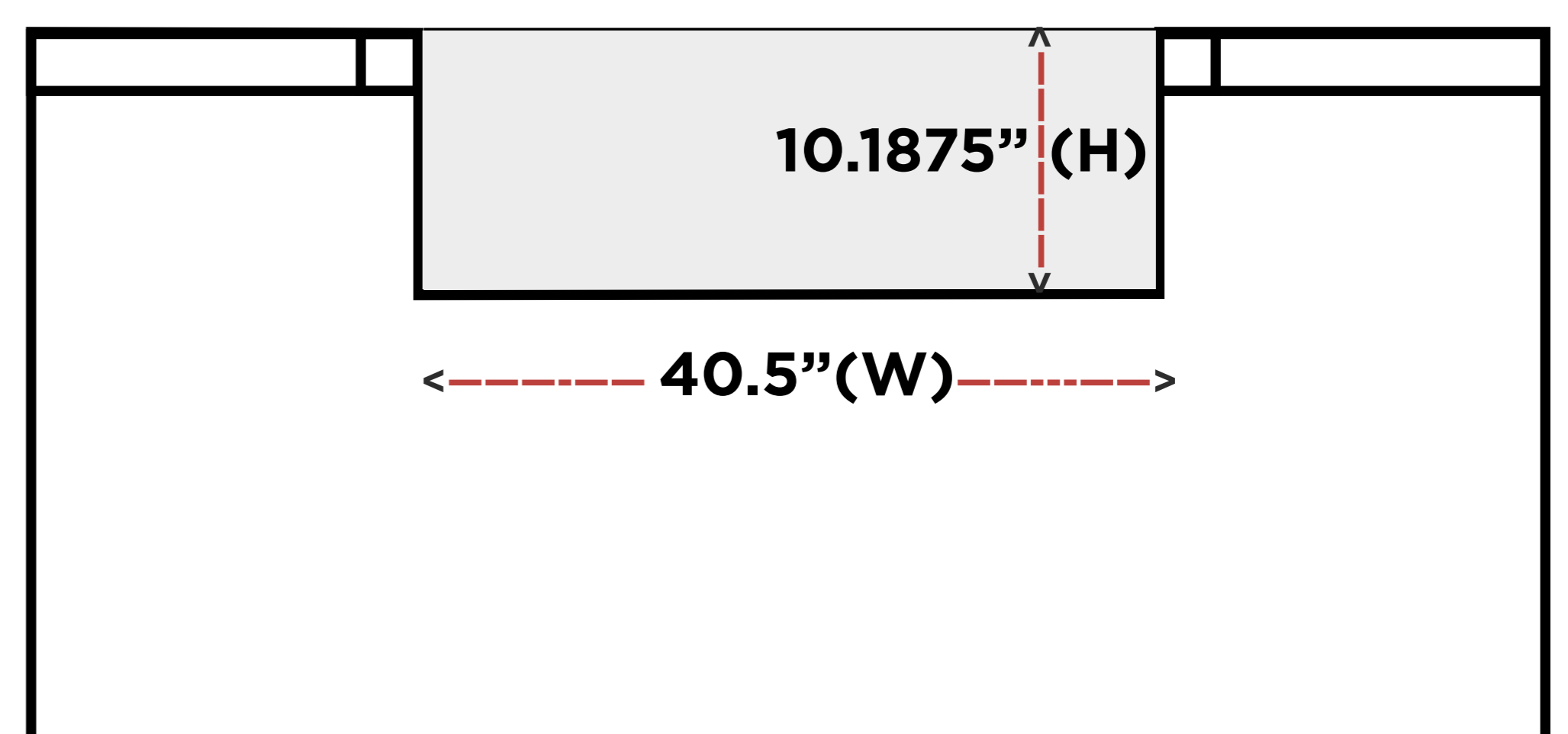
**Side**



**Island Top View**



**Island Front View**



**Cutout Dimensions \*\***  
40.5"W x 10.1875"H x 23.0625"D

**Manufacturer Suggested Cutout Dimensions (\*\*)**