



## 30-INCH PRO GAS COOKTOP

HDCT304GS | HERITAGE COLLECTION



### FEATURES & BENEFITS

- Illumina Burner™ Controls glow Dacor's signature flame-blue to always let you know when a burner is on.
- SimmerSear™ Burners provide up to 15,000 BTUs and achieve ultra-low temperatures for simmering and melting without any scorching.
- Exclusive Bead-Blasted, PermaClean™ Finish on a one-piece sealed spill basin makes cleaning easy and keeps cooktop scratch-free.
- Burner Configuration: 4 Burners (46,500 Total BTUs)
  - 1 Dual-Stacked Sealed Burner (15,000 BTU)
  - 1 Dual-Stacked Sealed Burner (12,500 BTU)
  - 2 Dual-Stacked Sealed Burners (9,500 BTU)
- Continuous Platform Grates are porcelain coated and allow extra large pots and pans to be moved effortlessly from burner to burner.
- Perma-Flame™ Technology automatically re-ignites a flame for continuous heating and uninterrupted cooking should a burner unexpectedly go out.
- Downdraft Compatible (MRV3015S)

### GENERAL PROPERTIES

FINISH	STAINLESS STEEL
--------	-----------------

### OPTIONAL ACCESSORIES

WOK RING	AWR4
----------	------

### TECHNICAL INFORMATION

ELECTRICAL REQUIREMENTS	120VAC/60HZ/15AMP
-------------------------	-------------------

TOTAL CONNECTED LOAD	0.25A (0.03KW)
----------------------	----------------

GAS CONFIGURATIONS	NG - NATURAL GAS NG / H - NATURAL GAS / HIGH ALTITUDE LP - LIQUID PROPANE LP / H - LIQUID PROPANE / HIGH ALTITUDE
--------------------	--

### PRODUCT DIMENSIONS

APPLIANCE DIMENSIONS (W X H X D) (IN.)	30" x 4" x 21"
--	----------------

ALL TOLERANCES	± 1/16" (± 1.6MM) UNLESS OTHERWISE NOTED
----------------	--

**INSTALLATION TYPE**

(C)

(D)

(E)

(F)

HDCT304G W/ NO DOWNDRAFT VENT

2 7/8" (7.3 CM)

19 3/4" (50.2 CM)

27 5/8" (70.1 CM)

7 1/2" (19.1 CM)

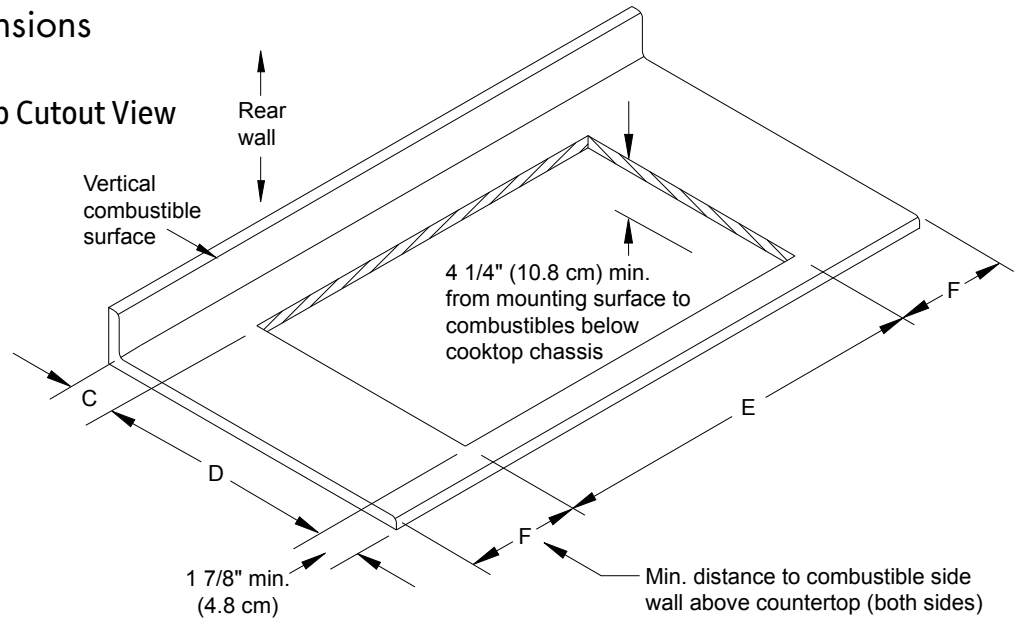
HDCT304G W/ MRV3015

3/8" (1.0CM)

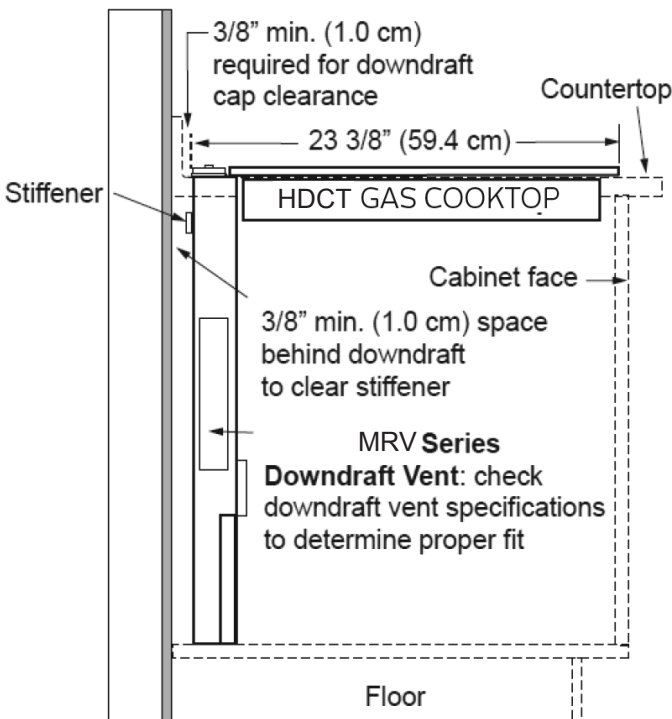
22 1/2" (57.2CM)

**Cutout Dimensions**

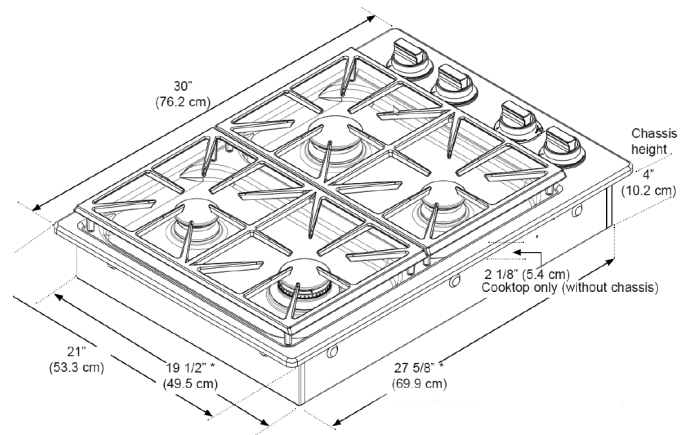
**Countertop Cutout View**



HDCT304



**Cooktop with MRV Series Downdraft Vent**



\*Including embosses on side of chassis