

# DVG50R5400V

SAMSUNG

## Samsung Top Load Gas Dryer with Steam Sanitize+

7.4 cu. ft. Capacity DOE



### Signature Features

#### Steam Sanitize+

- The Steam Sanitize+ cycle removes 99.9% of germs and bacteria, over 95% of pollen, and kills 100% of dust mites.<sup>1</sup> Multi-Steam Technology steams away wrinkles, odors, and static.

#### Sensor Dry

- Automatically optimizes the time and temperature of your drying cycle to protect your clothes from heat damage, while avoiding excessive energy use.

#### 12 Preset Drying Cycles

- More cycles to cover almost every drying need for your active family.

### Available Colors



Fingerprint Resistant  
Black Stainless Steel (shown)



White



Steam Sanitize+



Sensor Dry

### Features

- Steam Sanitize+
- Sensor Dry
- 12 Preset Drying Cycles
- Smart Care
- 9 Additional Drying Options
- Interior Drum Light
- 3-Way Venting
- Powder Coat Interior
- 5 Temperature Levels
- 7.4 cu. ft. Capacity
- Reversible Tinted Door
- LED Display: Ice Blue

### Convenience

- Child Lock
- Lint Filter Indicator

<sup>1</sup>Based on internal testing and independently verified by Intertek. Individual results may vary.

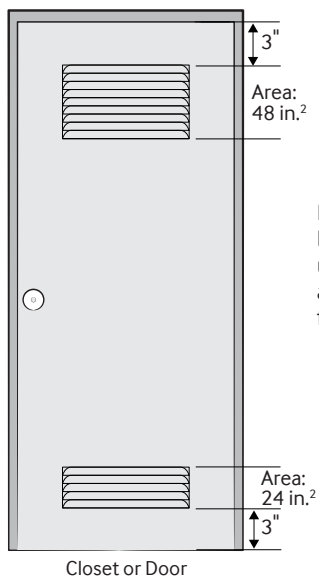
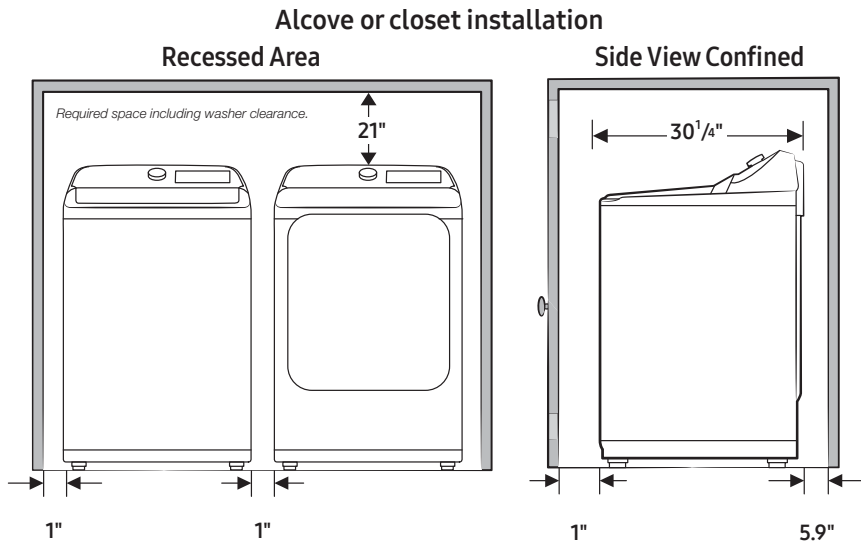
# DVG50R5400V

**SAMSUNG**

## Samsung Top Load Gas Dryer with Steam Sanitize+

7.4 cu. ft. Capacity DOE

### Installation Specifications

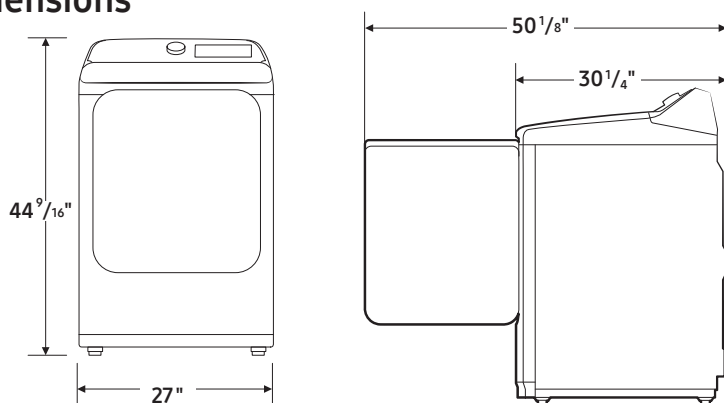


#### Minimum clearances for closets and alcoves:

- Sides – 1"
- Top – 21"
- Rear – 5.9"
- Closet Front – 1"

If both the washer and a dryer are installed in the same location, the front of the alcove or closet must have two unobstructed air openings for a combined minimum total area of 72-inch<sup>2</sup>. This clearance requirement is applicable for washers only.

### Dimensions



#### 3-Way Venting

#### 12 Preset Drying Cycles:

Refresh, Steam Sanitize+, Wrinkle Away, Normal, Heavy Duty, Permanent Press, Bedding, Delicates, Activewear, Time Dry, Air Fluff, Quick Dry

#### 9 Additional Drying Options:

Damp Alert, Wrinkle Prevent, Adjust Time (Up), Adjust Time (Down), Child Lock, Alarm Off, Eco Dry, Smart Care, Drum Light

#### 5 Temperature Levels:

High, Medium High, Medium, Medium Low, Low

#### 5 Dry Levels:

More Dry, Normal-More Dry, Normal Dry, Normal-Less Dry, Less Dry

#### Warranty

One (1) Year Parts and Labor

#### Product Dimensions & Weight (WxHxD)

Dimensions: 27" x 44 9/16" x 30 1/4"  
Weight: 119.0 lbs

#### Shipping Dimensions & Weight (WxHxD)

Dimensions: 29 9/16" x 46 15/16" x 31 3/16"  
Weight: 125.7 lbs

#### Gas

Fingerprint Resistant  
Black Stainless Steel  
White

#### Model #

DVG50R5400V  
DVG50R5400W

#### UPC Code

887276300771  
887276300788

#### Electric

Fingerprint Resistant  
Black Stainless Steel  
White

DVE50R5400V  
DVE50R5400W

887276300740  
887276300757

#### Matching Washer

Fingerprint Resistant  
Black Stainless Steel  
White

WA50R5400AV  
WA50R5400AW

887276300535  
887276300542

#### Accessories

Vent Kit

DV-2A

887276146416