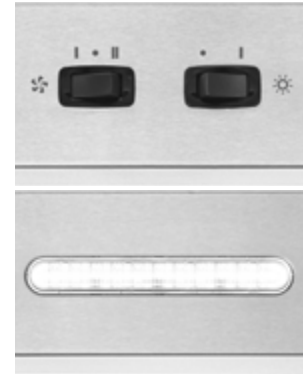


PM250SSP

This dual-speed power pack delivers 250 CFM in a compact size. Smooth surfaces clean easily, and quick-release filters are dishwasher safe. Get a custom appearance while protecting cabinetry with stainless steel liners.



STAINLESS
20-1/2" PM250SSP

- 250 CFM, 8.0 sones, HVI Certified
- Two-speed rocker controls
- Bright LED strip-lighting modules illuminate evenly and are tested in cooking environments to ensure long life without dimming
- 7" round duct adapter
- Easy-to-clean, fully enclosed bottom with dishwasher-safe, aluminum-mesh filter
- Optional non-duct operation using 358NDK non-duct kit and charcoal filter, sold separately
- Works with optional Universal Make-up Air Dampers
- Works with optional stainless LB liners and painted LT liners

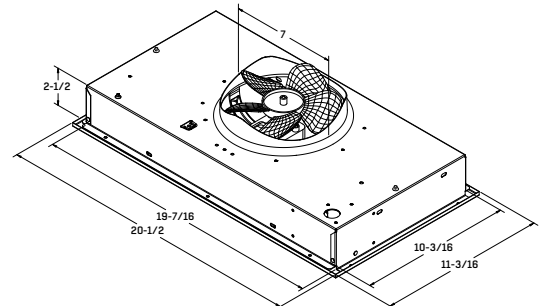


SPECIFICATIONS

Width	Model	Finish	Volts	Amps	Sones	CFM	Duct
20-1/2"	PM250SSP	Stainless Steel	120	1.1	8.0	250	7" round

OPTIONAL ACCESSORIES

Non-Duct Kit	Non-Duct Charcoal Filter	Replacement Aluminum Filter	LED	Make-Up Air Dampers	Fresh Air Inlets	Liners	Backdraft Damper
358NDK	S99010464	S99010400	Included	MD6TU, MD8TU, MD10TU	641FA, 643FA, 610FA	LB30SS, LB36SS, LT30, LT36	BP87Q



Broan.com

Broan, 926 W. State Street, Hartford, WI 53027 **800-558-1711**

POWER PACKS