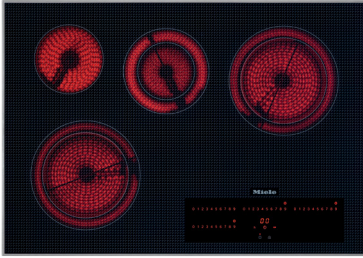


30" 4-Burner Electric Cooktop

KM 5840



30" 4-Burner Electric Cooktop KM 5840



KM 5840

Features:

- New 3D glass design
- Direct Selection Plus touch controls
- High-impact black Ceran glass surface with stainless steel frame
- Residual heat indicators for all zones
- Single and variable zones with over 25% increased power
- Auto-heat reduces heat-up time

SPECIFICATIONS

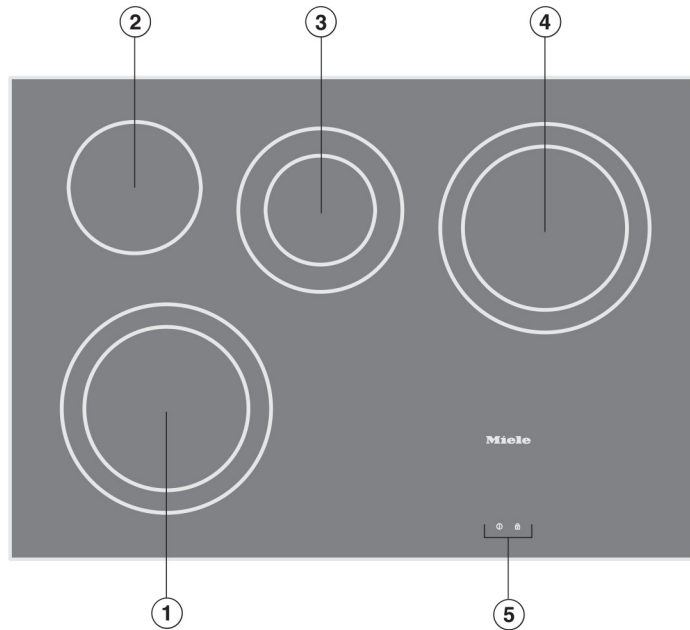
KM 5840 Electric Cooktop (240V)	Item 26584050USA
KM 5840 Electric Cooktop (208V)	Item 26584051USA
Product Dimensions	30 ¹ / ₂ " (775 mm) W x 2 ¹¹ / ₁₆ " (68 mm) H x 21 ⁷ / ₁₆ " (544 mm) D
Cut-out Dimensions	28 ¹ / ₂ " (724 mm) W x 20 ³ / ₈ " (518 mm) D
Minimum Back Spacing From Wall	2" (50 mm)
Minimum Countertop Thickness	1 ³ / ₁₆ " (30 mm)
Electrical	
Electrical Requirements	208/240V, 60Hz, 40A
Power Cable	4' 8 ¹¹ / ₁₆ " (1.44 m)
Shipping	
Shipping Weight	41 lbs (18.6 kg)
Shipping Dimensions	26" W x 6 ⁵ / ₁₆ " H x 35 ¹ / ₁₆ " D
Support	
Call Miele	800.999.1360
Miele Website	www.mieleusa.com
20/20 Link	2020technologies.com

30" 4-Burner Electric Cooktop KM 5840



PRODUCT VIEWS

Top View



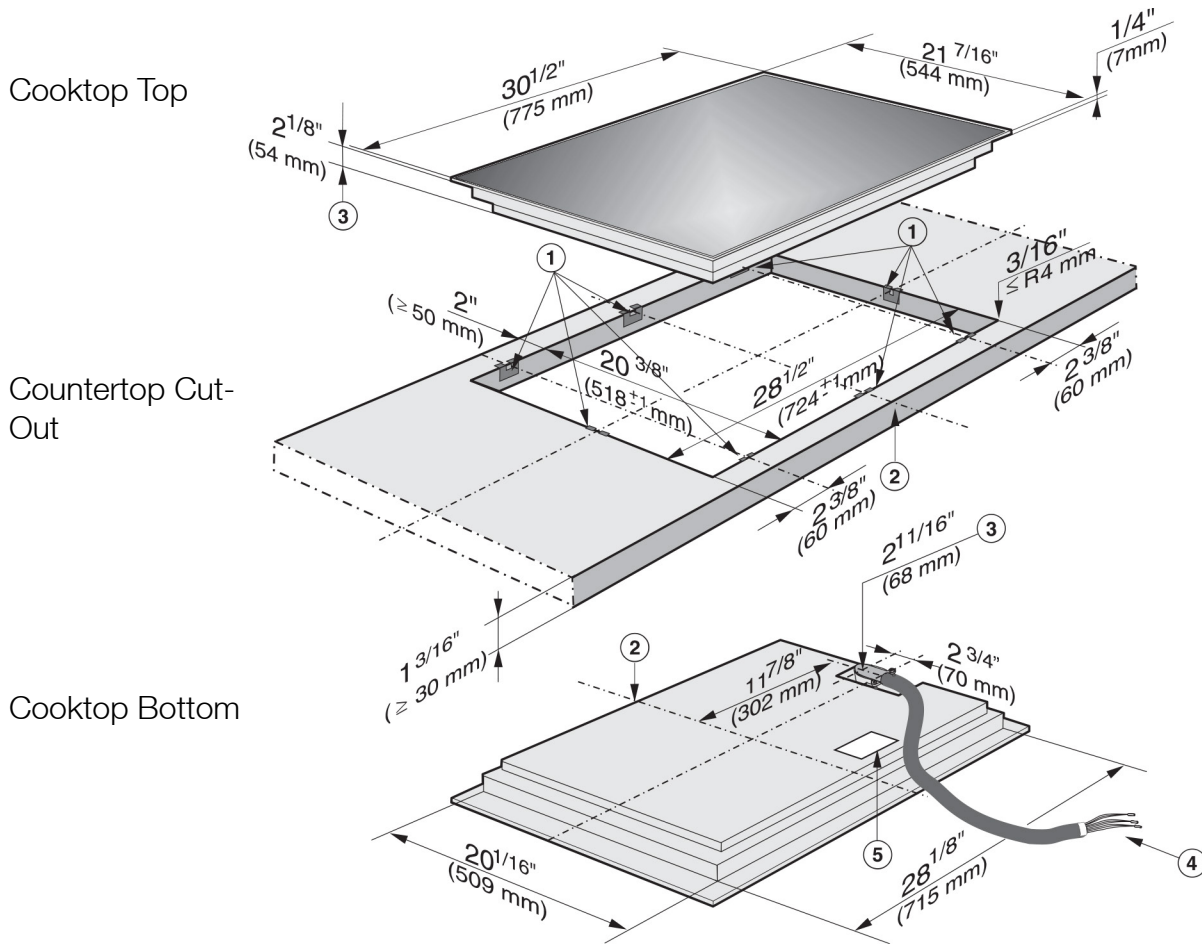
- ①③④ Two-zone variable burners
- ② One-zone burner
- ⑤ Control panel

Burner	∅ Diameter		Output in watts at 208 / 240 V
	inches	cm	
Left front ①	7 1/16"	18	1600
	9 1/16"	23	2500
Left rear ②	5 11/16"	14.5	1200
Center rear ③	4 3/4"	12	700
	7 1/16"	18	1800
Right rear ④	7 1/16"	18	1600
	9 1/16"	23	2500
			Total: 8000

30" 4-Burner Electric Cooktop KM 5840



INSTALLATION DIMENSIONS



- ① Spring clips
- ② Front
- ③ Installation height
- ④ Connecting cable, Length = 56 11/16" (1440 mm)
- ⑤ Rating label