

DVG50R8500V

SAMSUNG

Samsung Smart Front Load Gas Dryer with Steam Sanitize+

7.5 cu. ft. Capacity DOE



Signature Features

Bixby Enabled

- Wi-Fi connected so you can receive end of cycle alerts, remotely start or stop your cycle, schedule laundry on your time and more, right from your smartphone¹

Steam Sanitize+

- The Steam Sanitize+ cycle removes 99.9% of germs and bacteria, over 95% of pollen, and kills 100% of dust mites². Multi-Steam Technology steams away wrinkles, odors, and static.

Sensor Dry

- Automatically optimizes the time and temperature of your drying cycle to protect your clothes from heat damage, while avoiding excess energy use.

Available Colors




Fingerprint Resistant
Black Stainless Steel (shown)



White




Bixby Enabled 



Steam Sanitize+

Features

- Bixby Enabled 
- Steam Sanitize+
- Sensor Dry
- Vent Sensor
- ENERGY STAR[®] Certified
- Interior Drum Light
- Reversible Tinted Door
- 3-Way Venting
- Dual Heaters
- Stainless Steel Drum
- ADA Compliant³
- Accessibility (AUI, Braille)
- Drying Rack
- 12 Preset Drying Cycles
- 10 Additional Drying Options
- 5 Temperature Levels
- LED Display: Ice Blue

Convenience

- Child Lock
- Lint Filter Indicator



ADA Compliant³

¹The Samsung SmartThings application is required and is available on Android and iOS devices. A Wi-Fi connection is required. User will be solely responsible for any consequence(s) that may result, including but not limited to any damage or harm caused by incorrect information provided by the user. Only monitoring is allowed for Gas dryer for safety reasons.

²Based on internal testing and independently verified by Intertek. Individual results may vary.

³ADA Compliant when using a Samsung 27" wide riser (WE272NV or WE272NW).

DVG50R8500V

SAMSUNG

Samsung Smart Front Load Gas Dryer with Steam Sanitize+

7.5 cu. ft. Capacity DOE

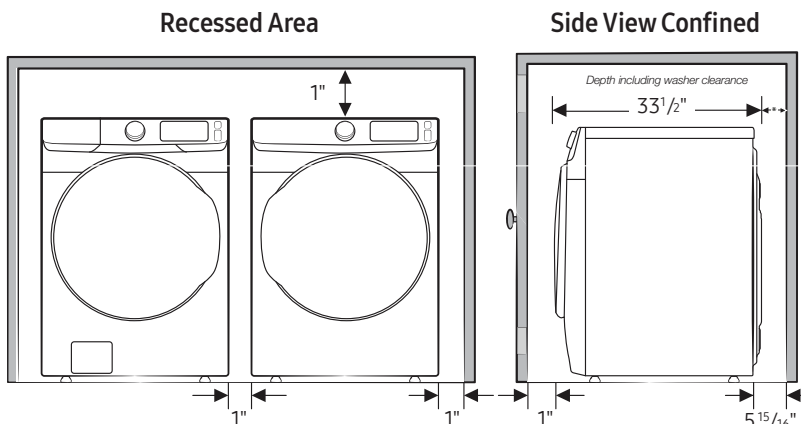
Installation Specifications

If the washer and dryer are installed together or the dryer alone, the closet front must have two unobstructed air openings for a combined minimum total area of 72-inch² (see stacked build below). Your washer alone does not require a specific air opening.

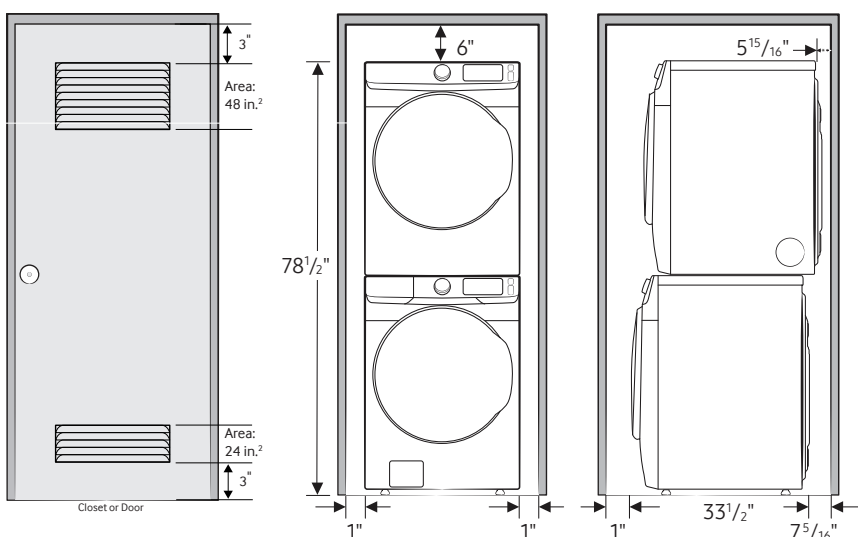
*Required spacing (External exhaust elbow may require additional space.)

1. Alcove or closet installation

Minimum Clearance for Closet and Alcove Installations:

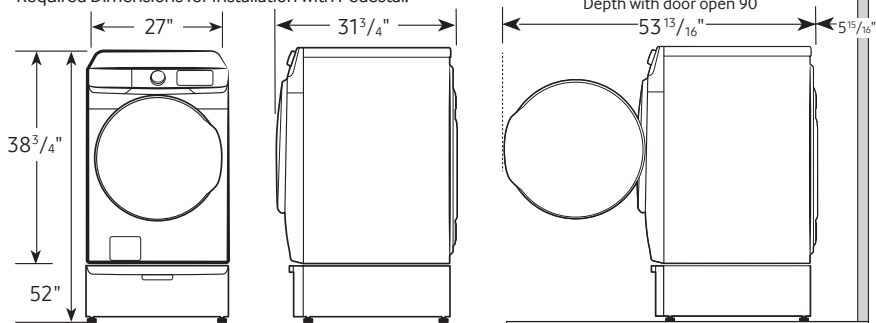


2. With stacked washer and dryer



Dimensions

Required Dimensions for Installation with Pedestal:



3-Way Venting

12 Preset Drying Cycles:

Refresh, Steam Sanitize+, Normal, Heavy Duty, Permanent Press, Active Wear, Bedding, Delicates, Time Dry, Air Fluff, Quick Dry, Downloaded

10 Additional Drying Options:

Damp Alert, Wrinkle Prevent, Smart Control, Adjust Time (Up), Adjust Time (Down), Eco Dry, Drum Light, Child Lock, Smart Care, Alarm Off

5 Temperature Levels:

High, Medium High, Medium, Medium Low, Low

5 Dry Levels:

More Dry, Normal-More Dry, Normal Dry, Normal-Less Dry, Less Dry

Warranty

One (1) Year Parts and Labor

Product Dimensions & Weight (WxHxD)

Dimensions: 27" x 38 3/4" x 31 3/4"

Weight: 126 lbs

Shipping Dimensions & Weight (WxHxD)

Dimensions: 29 3/8" x 42 9/16" x 34 11/16"

Weight: 132 lbs

Gas	Model #	UPC Code
Fingerprint Resistant Black Stainless Steel	DVG50R8500V	887276348827
White	DVG50R8500W	887276348384
Electric		
Fingerprint Resistant Black Stainless Steel	DVE50R8500V	887276348803
White	DVE50R8500W	887276348810
Matching Washer		
Fingerprint Resistant Black Stainless Steel	WF50R8500AV	887276348063
White	WF50R8500AW	887276348070
Pedestal		
Fingerprint Resistant Black Stainless Steel	WE402NV	887276310145
White	WE402NW	887276310152
Accessories		
Stacking Kit	SKK-8K	887276344034
Vent Kit	DV-2A	887276146416

Actual color may vary. Design, specifications, and color availability are subject to change without notice. Non-metric weights and measurements are approximate.

©2019 Samsung Electronics America, Inc. 85 Challenger Road, Ridgefield Park, NJ 07660. Tel: 800-SAMSUNG. samsung.com. Samsung is a registered trademark of Samsung Electronics Co. Ltd.