

WF50R8500AV

SAMSUNG

Samsung Smart Front Load Washer with Super Speed

5.0 cu. ft. Capacity DOE



Signature Features

Large 5.0 cu. ft. Capacity

- Fewer loads means less time in the laundry room and more time for you.


Super Speed

- Wash a full load of laundry in just 30 minutes¹, without sacrificing cleaning performance.

Bixby Enabled

- Wi-Fi connected so you can receive end of cycle alerts, remotely start or stop your cycle, schedule laundry on your time and more, right from your smartphone.²

Available Colors


 Fingerprint Resistant
Black Stainless Steel (shown)

 White




Super Speed



Bixby Enabled 

Features

- Super Speed
- Bixby Enabled 
- Steam
- VRT Plus™ Technology
- Swirl+ Drum Design
- Self Clean+
- ENERGY STAR® Certified
- Interior Drum Light
- ADA Compliant³
- Accessibility (AUI, Braille)
- Stackability
- Internal Water Heater
- 1200 RPM Maximum Spin Speed
- Direct Drive Motor

- 12 Preset Washing Cycles
- 10 Additional Washing Options
- 5 Temperature Levels
- LED Display: Ice Blue

Convenience

- Child Lock
- Delay End
- Dispenser Trays: Main Wash, Softener, Bleach



Rating



ENERGY STAR®-rated
CEE Tier 2
IMEF = 2.92
IWF = 2.9

¹Based on using Super Speed on a normal cycle with an 8 lb load.

²The Samsung SmartThings application is required and is available on Android and iOS devices. A Wi-Fi connection is required. User will be solely responsible for any consequence(s) that may result, including but not limited to any damage or harm caused by incorrect information provided by the user.

³ADA Compliant when using a Samsung 27" wide riser (WE272NV or WE272NW).

WF50R8500AV

SAMSUNG

Samsung Smart Front Load Washer with Super Speed

5.0 cu. ft. Capacity DOE

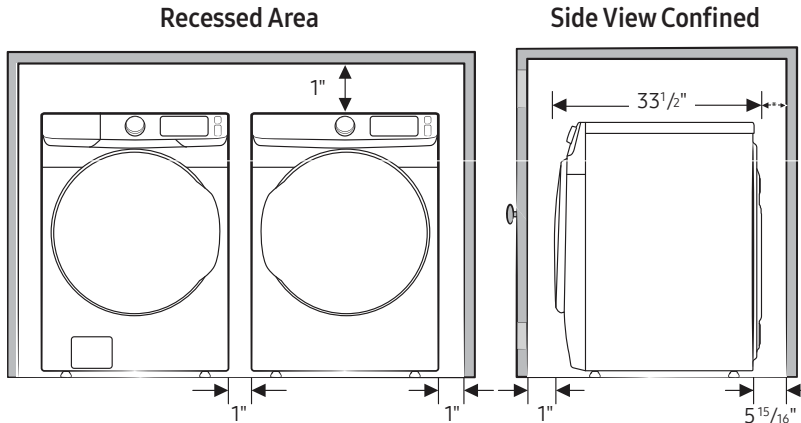
Installation Specifications

If the washer and dryer are installed together or the dryer alone, the closet front must have two unobstructed air openings for a combined minimum total area of 72-inch² (see stacked build below). Your washer alone does not require a specific air opening.

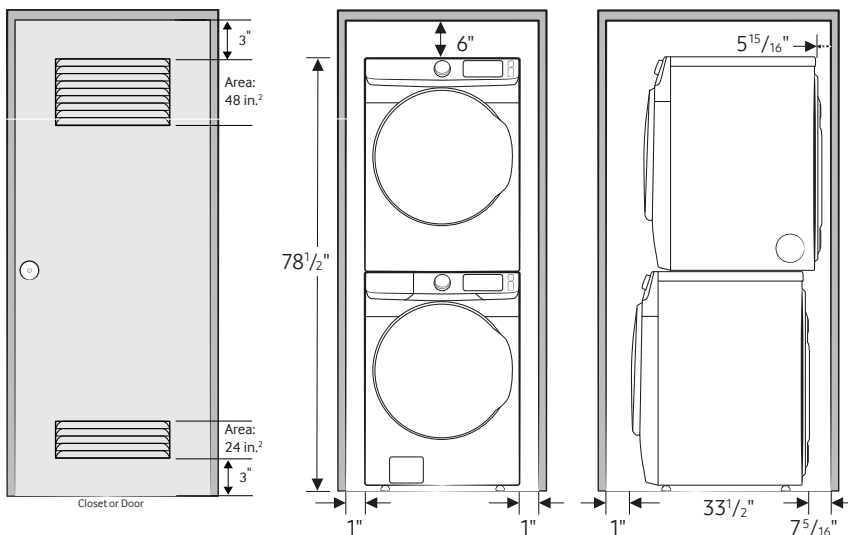
*Required spacing (External exhaust elbow may require additional space.)

1. Alcove or closet installation

Minimum Clearance for Closet and Alcove Installations:

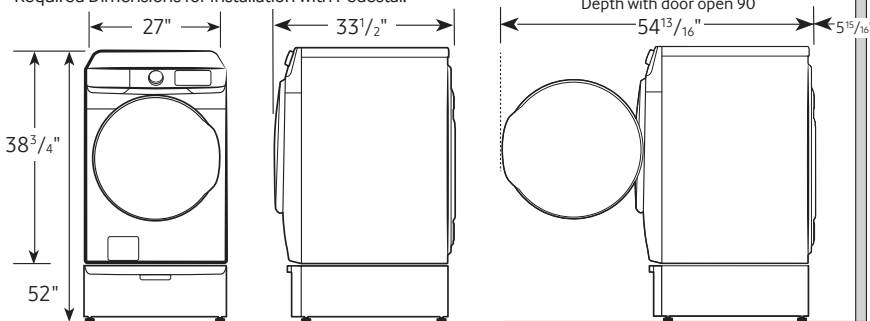


2. With stacked washer and dryer



Dimensions

Required Dimensions for Installation with Pedestal:



12 Preset Washing Cycles:

Normal, Heavy Duty, Bedding, Quick Wash, Permanent Press, Delicates, Whites, Sanitize, Activewear, Rinse and Spin, Self Clean+, Downloaded

10 Additional Washing Options:

Presoak, Steam, Delay End, Smart Control, Super Speed, Drum Light, Alarm Off, Child Lock, Smart Care, Spin Only

5 Temperature Levels:

Hot, Warmer, Warm, Cool, Cold

5 Spin Speeds:

High, Medium High, Medium, Low, No Spin

5 Soil Levels:

Heavy, Medium Heavy, Normal, Medium Low, Light

Dispenser Trays:

Main Wash, Softener, Bleach

Warranty

One (1) Year Parts and Labor

Three (3) Years Stainless Steel Drum (Part Only)

Ten (10) Years Direct Drive Motor (Part Only)

Product Dimensions & Weight (WxHxD)

Dimensions: 27" x 38³/₄" x 33¹/₂"

Weight: 214 lbs

Shipping Dimensions & Weight (WxHxD)

Dimensions: 29³/₈" x 42³/₈" x 35³/₈"

Weight: 218 lbs

Color

Fingerprint Resistant Black Stainless Steel

White

Model

WF50R8500AV

WF50R8500AW

UPC Code

887276348063

887276348070

Matching Dryer (Electric/Gas)

Fingerprint Resistant Black Stainless Steel

White

DVE50R8500V

DVE50R8500W

887276348803

887276348810

Fingerprint Resistant Black Stainless Steel

White

DVG50R8500V

DVG50R8500W

887276348827

887276348384

Pedestal

Fingerprint Resistant Black Stainless Steel

White

WE402NV

WE402NW

887276310145

887276310152

Accessories

Stacking Kit

SKK-8K

887276344034

Actual color may vary. Design, specifications, and color availability are subject to change without notice. Non-metric weights and measurements are approximate.

©2019 Samsung Electronics America, Inc., 85 Challenger Road, Ridgefield Park, NJ 07660. Tel: 800-SAMSUNG. samsung.com. Samsung is a registered trademark of Samsung Electronics Co., Ltd.