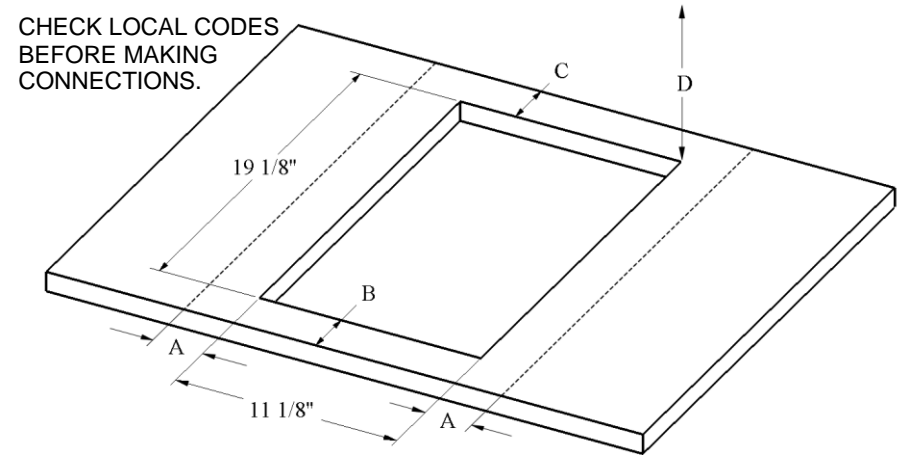


Notes:

TWO ZONE SURFACE UNIT INSTALLATION INSTRUCTION GUIDE

CABINET OPENING

Prepare the cabinet accurately so your unit will fit properly. Below are cabinet cutout dimensions. The dimensions are for the unit to be mounted so the knobs are toward the front.



- "A" : 2 ⁵/₈" To Adjacent Vertical Combustible Surface
3 ¹/₄" To Opening for Adjacent Unit
- "B" : 2 ⁷/₁₆" Minimum to Front Edge of Counter Top
- "C" : 2" Minimum to Rear Edge or Rear Wall
(2 ⁷/₁₆" If Installed In Standard 24" Deep Counter Top)
- "D" : 30" Minimum Clearance To Bottom of Unprotected Wood Cabinet
(24" Minimum When Cabinet Bottom is Protected by Not Less Than ¹/₄" Millboard Covered By Not Less Than No. 28 MSG Sheet Steel, 0.015" Stainless Steel, 0.024" Aluminum, or 0.020" Copper.

CAUTION:

To eliminate the hazard of reaching over the heated surface units, cabinet storage space located above the surface units should be avoided. If cabinet storage is to be provided, the hazard can be reduced by installing a range hood that projects horizontally a minimum of 5 inches beyond the bottom of the cabinets.

INSTALLATION:

It is the responsibility of your installer to make certain that your range is properly installed. Situations caused by improper installation are not covered under the warranty. Any expenses incurred due to such situations will not be paid by the manufacturer of the appliance.

This unit is intended to be built-in to a cabinet structure only and is not intended for attachment to the building structure.

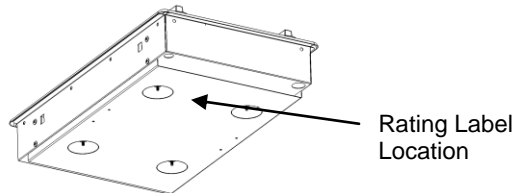
MOUNTING THE BUILT-IN TOP UNIT:

Locate the installation kit containing mounting hardware packaged with the unit. Place the unit in the cabinet opening so the knobs are toward the front of the unit. Attach the mounting brackets to the underside of the unit with the screws provided. Tighten the main bolt up to the underside of the counter top.

POWER CONNECTIONS TO APPLIANCES

We suggest that you have the dealer where you purchased your new cooktop install it or have him arrange installation by a qualified electrician. Installation must conform with local codes. In addition, installation must conform with the National Electric Code NFPA70 latest edition.

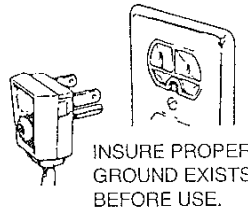
WARNING – Be sure electric power is OFF at the fuse (breaker) box until the unit is installed and ready to operate. See appliance rating label on the underside of the unit for maximum K.W. and amperage rating.



WARNING

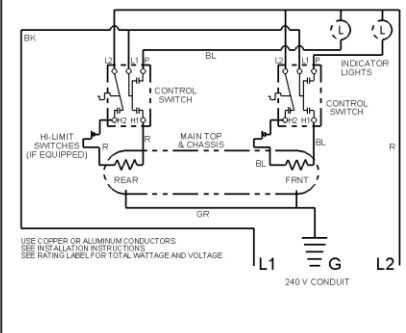
ELECTRICAL GROUNDING INSTRUCTIONS

Appliances with a 120 volt power cord are equipped with a three prong grounding plug for your protection against shock hazard and should be plugged directly into a properly grounded receptacle. Do not cut or remove the grounding prong from this plug.

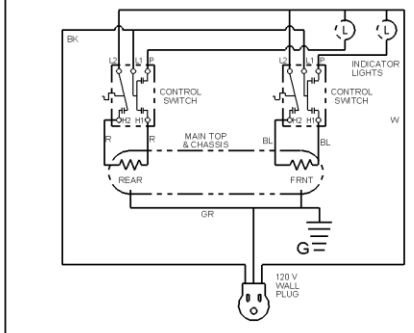


Do not use an extension cord to connect this appliance. If the power supply cord is too short, have a qualified electrician or serviceman install an outlet near the appliance.

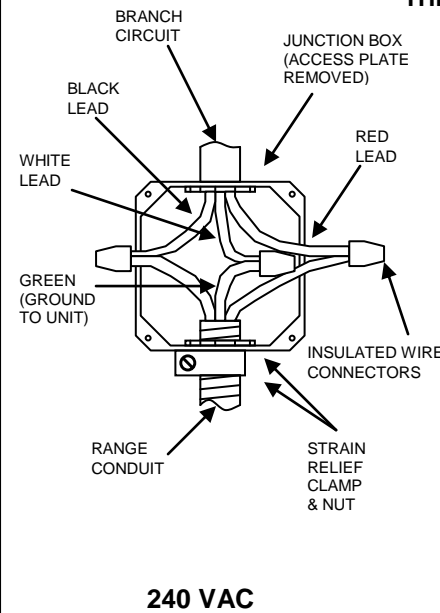
WIRING DIAGRAM - 2 ZONE COOKTOP
REFER TO DIAGRAM WITH FEATURES THAT MATCH YOUR APPLIANCE.



WIRING DIAGRAM - 2 ZONE COOKTOP
REFER TO DIAGRAM WITH FEATURES THAT MATCH YOUR APPLIANCE.



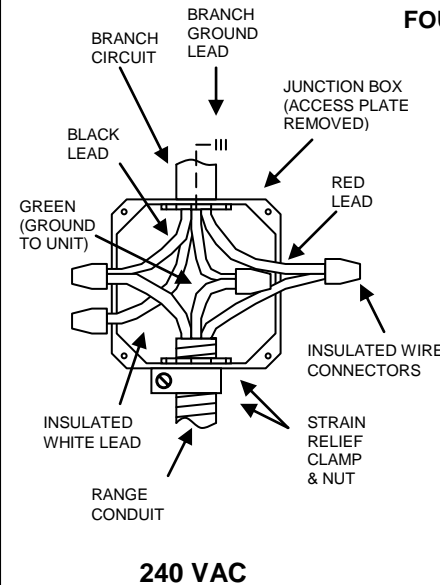
THREE-WIRE CONDUIT CONNECTION



1. Remove the access plate to gain access to the electrical junction box.
2. Install the three-wire range conduit and an appropriate strain relief clamp through the hole in the junction box.
3. Use an appropriate insulated wire connector to connect the red and black wires from the range conduit to the corresponding red and black leads from the branch circuit.
4. Connect the green (ground) wire from the range conduit to the white (neutral) lead from the branch circuit in like manner.
5. Secure the strain relief clamp around the conduit and tighten the nut against the wall of the junction box.
6. Tuck all wire leads into the junction box and replace the access plate removed earlier in step 1.

If local codes do not allow grounding through the neutral, refer to the illustration below of FOUR-WIRE CONDUIT CONNECTION.

FOUR-WIRE CONDUIT CONNECTION



1. Remove the access plate to gain access to the electrical junction box.
2. Install the three-wire range conduit and an appropriate strain relief clamp through the hole in the junction box.
3. Use an appropriate insulated wire connector to connect the red and black wires from the range conduit to the corresponding red and black leads from the branch circuit.
4. Connect the green (ground) wire from the range conduit to the grounding lead from the branch circuit in like manner.
5. The white (neutral) lead from the branch circuit must be properly insulated away from other all other leads.
5. Secure the strain relief clamp around the conduit and tighten the nut against the wall of the junction box.
6. Tuck all wire leads into the junction box and replace the access plate removed earlier in step 1.

Effective January 1, 1996 the National Electrical Code requires that new construction (not existing) utilize a 4-conductor connection to an electric range.

NOTE: A 4-conductor connection is to be used when the appliance is installed in a mobile home or when local codes do not permit grounding through the neutral.