

## FFGH2422U S/W

### FREESTANDING RANGE

24" GAS



#### AVAILABLE COLORS



Stainless



White

#### PRODUCT DIMENSIONS

Height (Min. - Max.) 33-1/2" - 35"

Width 23 1/2"

Depth 23-5/8"

### SIGNATURE FEATURES

#### Compact Design for Smaller Kitchen Spaces

This 24" gas range is compact in design, but not in capacity - oven can easily fit a 10 lb. turkey.

#### Continuous Cooktop Grates

Continuous grates make it easy to move heavy pots and pans between burners without lifting.

#### Storage Drawer

Convenient storage drawer offers extra space to store your cookware.

#### Color-Coordinated Knobs

Stylish knobs that match the finish of the range.

# FFGH2422U S/W FREESTANDING RANGE

24" GAS

FRIGIDAIRE

## FEATURES

Oven Control / Timing System	Ready-Select® Controls
Surface Type	Color-Coordinated Porcelain
Window	Extra Large
Exterior Door Finish	Black Glass
Handle Design	Color-Coordinated
Exterior Finish (Side Panels)	Color-Coordinated
Oven Cleaning System	Manual Clean
Drawer Functionality	Storage

## OVEN CONTROLS

Bake	Yes
Broil	Yes
Effortless™ Convection Conversion	
Convection Bake/Broil/Roast	
Quick Preheat	
Add-a-Minute	
Delay Bake	
Self-Clean	
Quick Clean Option	
Delay Clean	
Kitchen Timer	Yes
Timed Cook Option	
Auto Oven Shut-Off	
Oven Lock-Out	

## COOKTOP FEATURES

Right Front Burner (Watts)	8" - 11k BTU
Right Rear Burner (Watts)	6" - 5k BTU
Left Front Burner (Watts)	6" - 9k BTU
Left Rear Burner (Watts)	8" - 9k BTU

## OVEN FEATURES

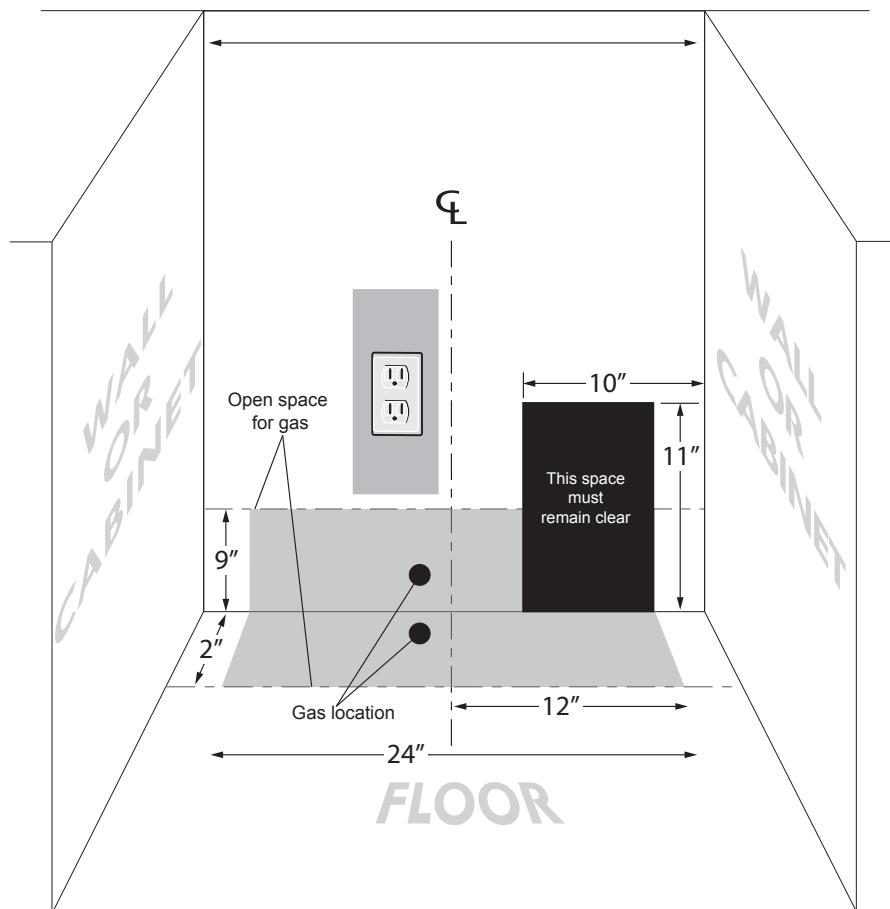
Capacity (Cu. Ft.)	1.9
Oven Light	1 Round Halogen
Hidden Bake Element	Yes
Rack Configuration	2 Flat
Even Baking System	Even Baking Technology
Broiling System	Vari-Broil™ (Hi/Lo)
Bake Element / Broil Element (Watts)	9k BTU / 1,000W

## SPECIFICATIONS

Oven Interior ( H x W x D )	12-7/8" x 16-1/16" x 16-3/8"
Power Supply Connection Location	Left Bottom Rear
Voltage Rating	120V / 60Hz
Connected Load (kW Rating) @ 120V/60Hz.	7.5 kW
Minimum Circuit Required (Amps)	15
Shipping Weight (Approx.)	176 Lbs.

## PRODUCT DIMENSIONS

A - Height (Max.)	35"
B - Width	23 1/2"
C - Depth (Including Handle)	25-1/2"
Depth with Door Open 90°	41-1/2"



**Note:** For planning purposes only. Always consult local and national electric, gas and plumbing codes. Refer to Product Installation Guide for detailed installation instructions on the web at [frigidaire.com](http://frigidaire.com) / [frigidaire.ca](http://frigidaire.ca). Specifications subject to change. Accessories information available on the web at [frigidaire.com](http://frigidaire.com) / [frigidaire.ca](http://frigidaire.ca)

FRIGIDAIRE

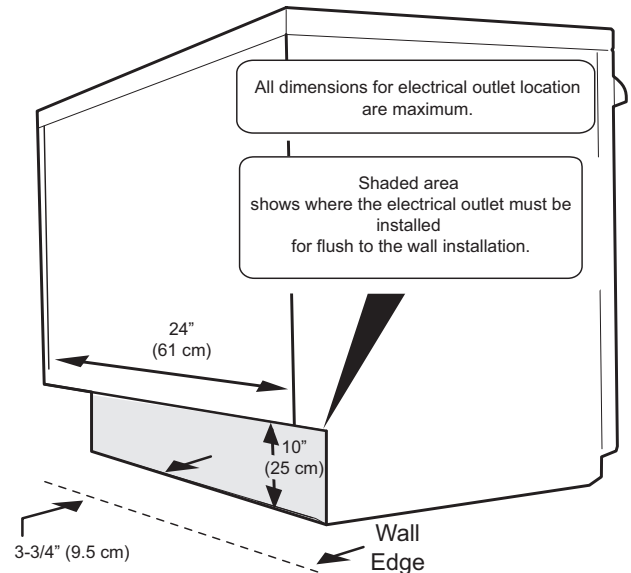
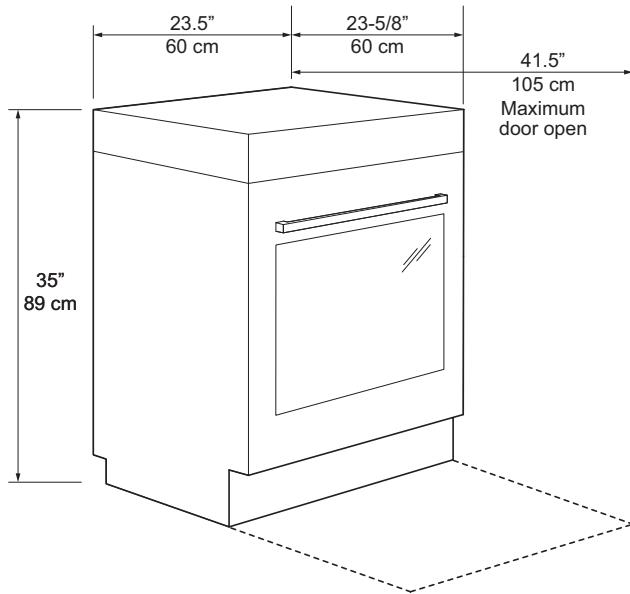
USA • 10200 David Taylor Drive • Charlotte, NC 28262 • 1-800-FRIGIDAIRE • [frigidaire.com](http://frigidaire.com)  
CANADA • 5855 Terry Fox Way • Mississauga, ON L5V 3E4 • 1-800-265-8352 • [frigidaire.ca](http://frigidaire.ca)

FFGH2422U 02/19  
©2019 Electrolux Home Products, Inc.

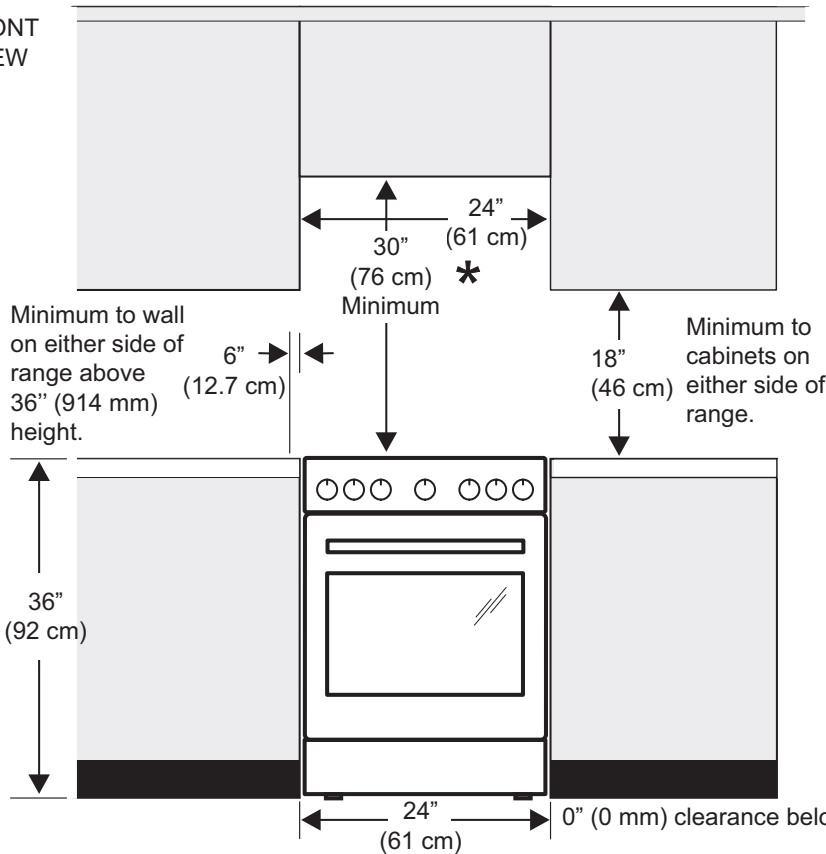
# FFGH2422U S/W FREESTANDING RANGE

24" GAS

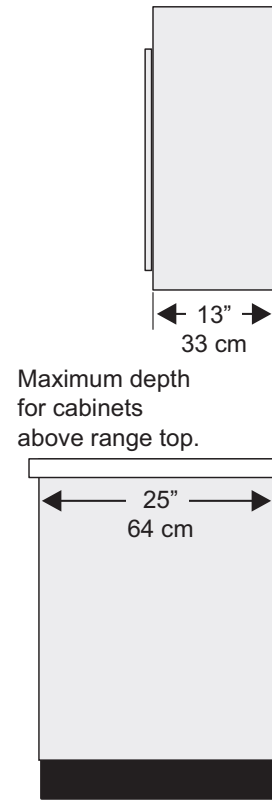
FRIGIDAIRE



FRONT VIEW



SIDE VIEW



**Note:** For planning purposes only. Always consult local and national electric, gas and plumbing codes. Refer to Product Installation Guide for detailed installation instructions on the web at [frigidaire.com](http://frigidaire.com) / [frigidaire.ca](http://frigidaire.ca). Specifications subject to change. Accessories information available on the web at [frigidaire.com](http://frigidaire.com) / [frigidaire.ca](http://frigidaire.ca)

FRIGIDAIRE

USA • 10200 David Taylor Drive • Charlotte, NC 28262 • 1-800-FRIGIDAIRE • [frigidaire.com](http://frigidaire.com)  
CANADA • 5855 Terry Fox Way • Mississauga, ON L5V 3E4 • 1-800-265-8352 • [frigidaire.ca](http://frigidaire.ca)

FFGH2422U 02/19  
©2019 Electrolux Home Products, Inc.