

30" Electric Free-Standing Range with Convection

QSS740RNSS



Available
March 2020

Unit Specifications

Width	29 7/8"
Depth	29 1/8"
Height	37 3/8"
Weight	236 lbs.
UPC	084691845300

Warranty

— 1 Year Warranty (Parts and Labor)

Available Finishes



Stainless Steel
QSS740RNSS



Black Stainless
QSS740BNTS

Signature Features

WiFi Connect

Wherever you are, you've got cooking down. Because now you can control advanced features, such as a no preheat option, pizza mode and snack mode, all from the Haier Appliances App.

Quick clean

Good with cooking but not with cleaning? No worries. This Haier range with Quick Clean steam-cleaning technology makes removing baked-on cooking spills fast and easy.

Oven cooking modes

Cooking made easy - there's an app for that! This foodie-friendly app helps you select the right cooking mode for your favorite treats, like baked goods, frozen pizza and frozen snacks.

9"/6" adjustable burner

The flexible feature that matches your cooking style. The 9"/6" burner adjusts to the size of your pot for just the right amount of heat.

3,600W burner element with Power Boil

When you want to achieve something great, you need to power through. A 3,600-watt burner with Power Boil provides the intense heat you need, exactly when you need it.

Hidden bake

Busy lifestyles don't stop for cooking spills. Hidden bake element sits beneath a smooth surface, making cleaning fast and easy.

Backlit color-changing oven knobs

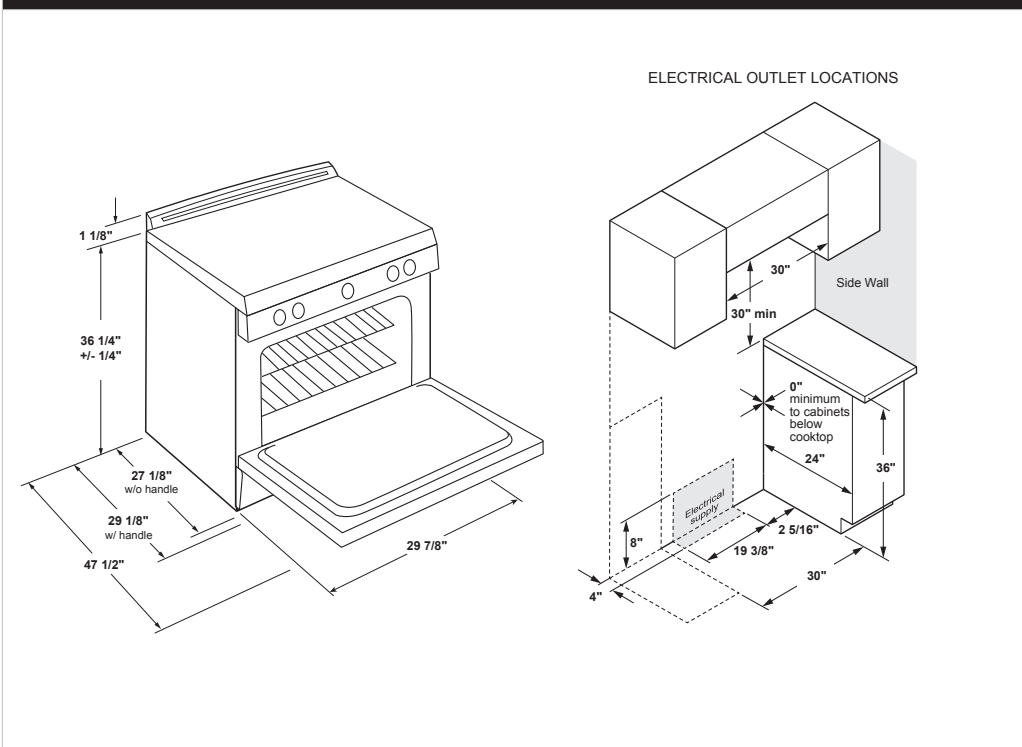
In the city, streetlights show the way. On your oven, backlit color-changing knobs do the same. LED knob lights illuminate to show which cooking mode has been turned on.

Fan convection

Smart design elevates your baking. Oven fan continuously circulates heated air for more even baking and roasting results.

Overall Packaging Details		
Packaging		lb./in.
Gross Weight		256 lbs.
Dimensions	W	32.5"
	D	31.5"
	H	44.5"
Power Requirements		
Electrical Rating		208/240V;60Hz

Product Technical Illustration



General Appliance Information

Please read all installation details and instructions before use.

Contact Us

For questions regarding this product please refer to our website at haierappliances.com or call our customer service center at 877-337-3639.