

FISHER & PAYKEL

DATA SHEET 24" Double DishDrawer™ Panel Ready Tall

Model no:
DD24DT19_N
DD24DHT19_N
(refer page 3 for metric measurements)

Product Dimensions	in
Ⓐ Overall height* of DishDrawer™	34" - 36 3/8"
Ⓑ Overall width** of DishDrawer™	23 9/16"
Ⓒ Depth of DishDrawer™ chassis**	21 3/4"
Ⓓ Ventilation gap between custom panels	5/16"
Ⓔ Height of chassis at rear (not including mounted feet)	33 11/16"
Ⓕ Height of mounted feet (adjustable)	3/8" - 2 3/4"
Ⓖ Height of toekick custom panel (adjustable)	2 1/4" - 4 5/8"
Ⓖ Depth from front of drawer panel to front of toekick panel**(adjustable)	1 9/16" - 3 15/16"
Ⓗ Depth of drawer (open) (measured from front datum)**	20 3/4"

* Includes adjustable mounted feet and the range of movement.
** Does not include the custom drawer panels, handles or toekick panel to be manufactured and fitted by cabinetmaker.
*** Assuming panel thickness of 11/16". If the toekick depth is greater than 1 15/16", the panel will need to be cut to clear the underside of the tub, please refer to the installation manual for more detail.

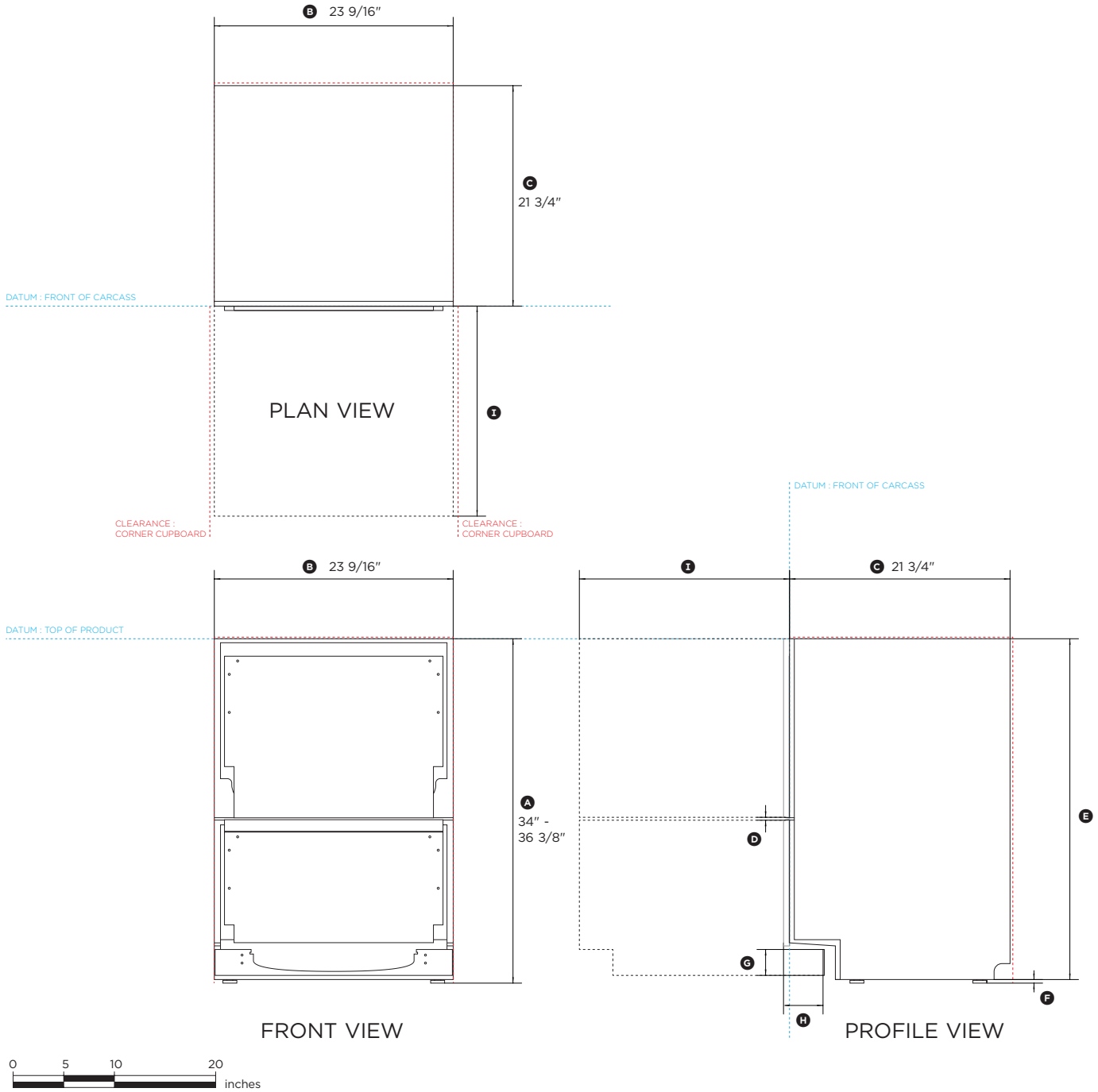
Note: Service outlet at rear extends both sides, hoses and cords can be routed to either or both.

Minimum Clearances	in
Minimum inside height of cavity from bottom datum	34"
Minimum inside width of cavity	23 5/8"
Minimum inside depth of cavity from front datum	22 1/16"
Minimum ventilation gap between custom panels	5/16"
Minimum clearance from underside of bench to top of custom panel	1/16"
Minimum clearance from bottom of toekick panel to floor	1/2"
Minimum clearance from a corner cupboard	1/2"

INDICATES CABINETSRY / PRODUCT DATUM -----
INDICATES CABINETSRY CLEARANCES - - - - -

DATE: 28.05.2018

IMPORTANT NOTE: Throughout this guide, dimensions may vary by ±2mm (1/16"). Please read the installation manual for detailed information on installing the product. For full installation instructions & specifications visit fisherpaykel.com



FISHER & PAYKEL

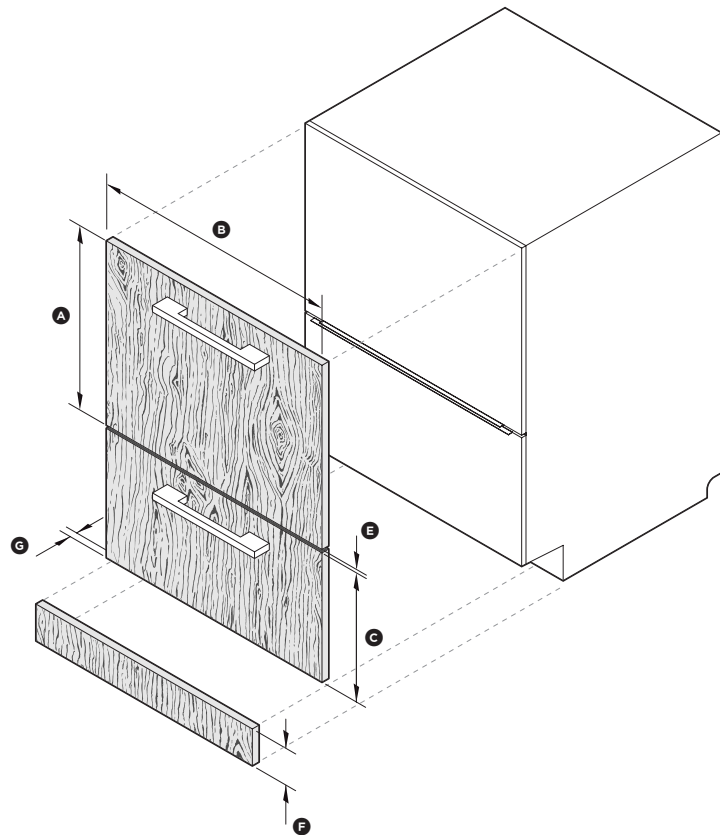
CUSTOM PANEL PREPARATION 24" Double DishDrawer™ Panel Ready Tall

Model no:
DD24DT19_N
DD24DHT19_N
 (refer page 4 for metric measurements)

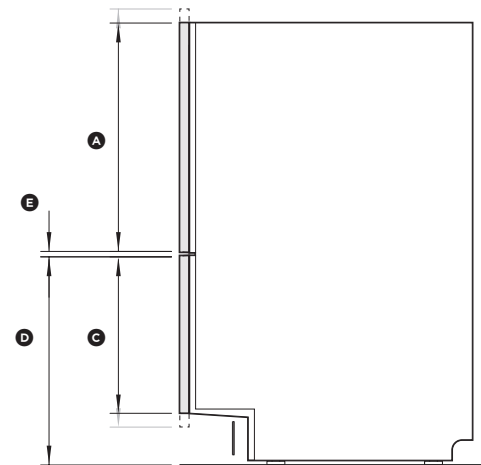
Dimensions	in
Ⓐ Minimum height of top drawer panel*	17 3/8"
Ⓑ Width of top drawer and bottom drawer panels	23 7/16" - 24 3/16"
Ⓒ Minimum height of bottom drawer panel*	12 1/4" - 14 13/16"
Ⓓ Height from floor to top of bottom drawer panel	16 5/16" - 18 11/16"
Ⓔ Ventilation gap between top drawer panel and bottom drawer	5/16"
Ⓕ Height of toekick panel*	2 1/4" - 4 5/8"
Ⓖ Depth of custom panels	5/8" - 13/16"
Maximum weight of each drawer panel (including handle)	20lb

* The top drawer panel may be extended up, or the bottom panel down from the fixed gap between both. Adjust the height of the toekick panel accordingly.

NOTE: If the toekick depth is greater than 1 15/16", the panel will need to be cut to clear the underside of the tub, please refer to the installation manual and panel preparation downloads for more detail.



ISO VIEW



PROFILE VIEW

DATE: 28.05.2018

IMPORTANT NOTE: Throughout this guide, dimensions may vary by ±2mm (1/16"). Please read the installation manual for detailed information on installing the product. For full installation instructions & specifications visit fisherpaykel.com

FISHER & PAYKEL

DATA SHEET 24" Double DishDrawer™ Panel Ready Tall

Model no:
DD24DT19_N
DD24DHT19_N
 (refer page 1 for imperial measurements)

Product Dimensions	mm
Ⓐ Overall height* of DishDrawer™	864 - 924
Ⓑ Overall width** of DishDrawer™	599
Ⓒ Depth of DishDrawer™ chassis**	553
Ⓓ Ventilation gap between custom panels	8
Ⓔ Height of chassis at rear (not including mounted feet)	855
Ⓕ Height of mounted feet (adjustable)	9 - 69
Ⓖ Height of toekick custom panel (adjustable)	58 - 118
Ⓗ Depth from front of drawer panel to front of toekick panel*** (adjustable)	40 - 100
Ⓘ Depth of drawer (open) (measured from front datum)**	527

* Includes adjustable mounted feet and the range of movement.

** Does not include the custom drawer panels, handles or toekick panel to be manufactured and fitted by cabinetmaker.

*** Assuming panel thickness of 18mm. If the toekick depth is greater than 50mm, the panel will need to be cut to clear the underside of the tub, please refer to the installation manual for more detail.

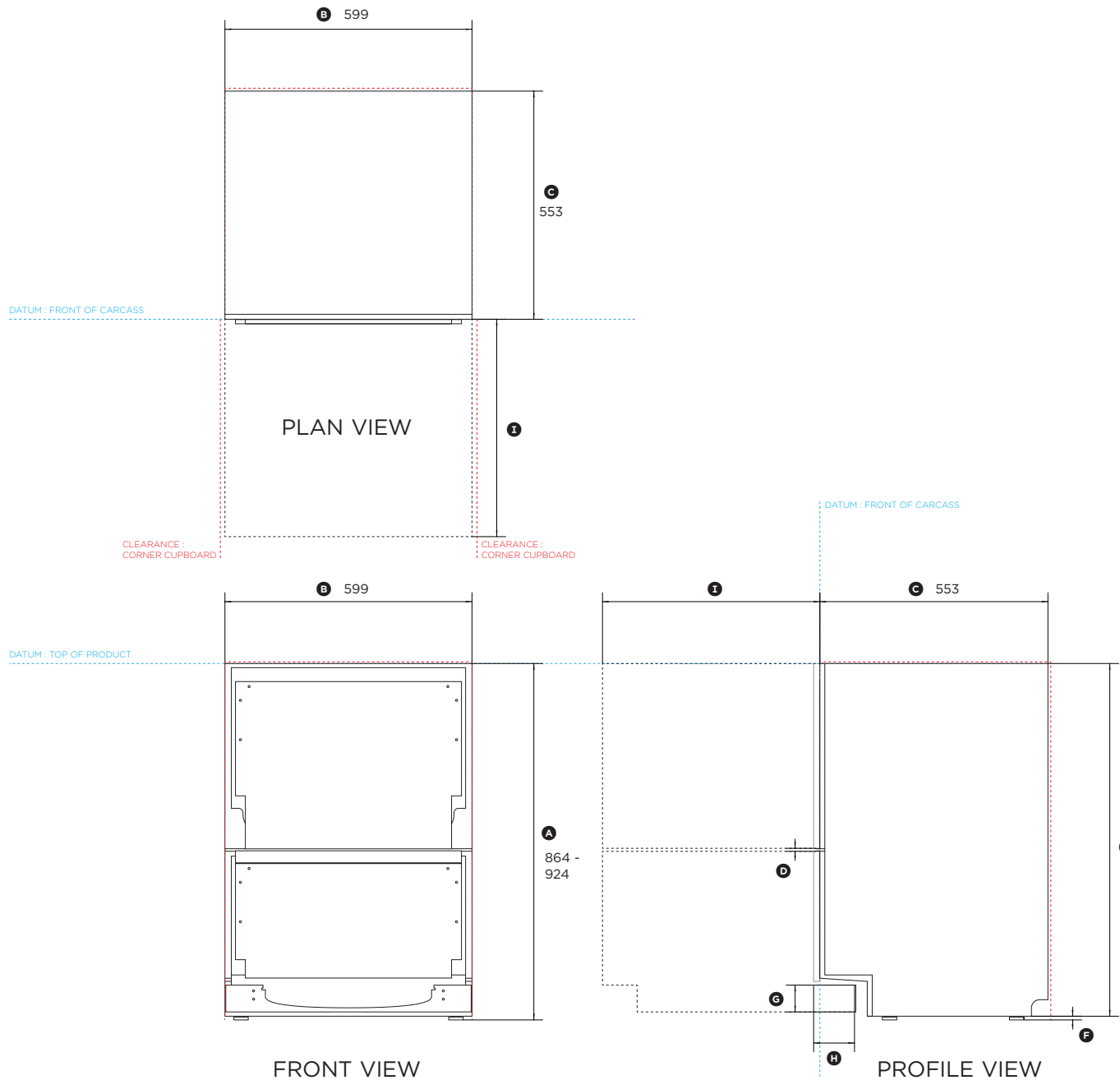
Note: Service outlet at rear extends both sides, hoses and cords can be routed to either or both.

Minimum Clearances	mm
Minimum inside height of cavity from bottom datum	864
Minimum inside width of cavity	600
Minimum inside depth of cavity from front datum	560
Minimum ventilation gap between custom panels	8
Minimum clearance from underside of bench to top of custom panel	2
Minimum clearance from bottom of toekick panel to floor	12
Minimum clearance from a corner cupboard	13

INDICATES CABINETRY / PRODUCT DATUM -----
 INDICATES CABINETRY CLEARANCES -----

DATE: 28.05.2018

IMPORTANT NOTE: Throughout this guide, dimensions may vary by ±2mm (1/16"). Please read the installation manual for detailed information on installing the product. For full installation instructions & specifications visit fisherpaykel.com



FISHER & PAYKEL

CUSTOM PANEL PREPARATION 24" Double DishDrawer™ Panel Ready Tall

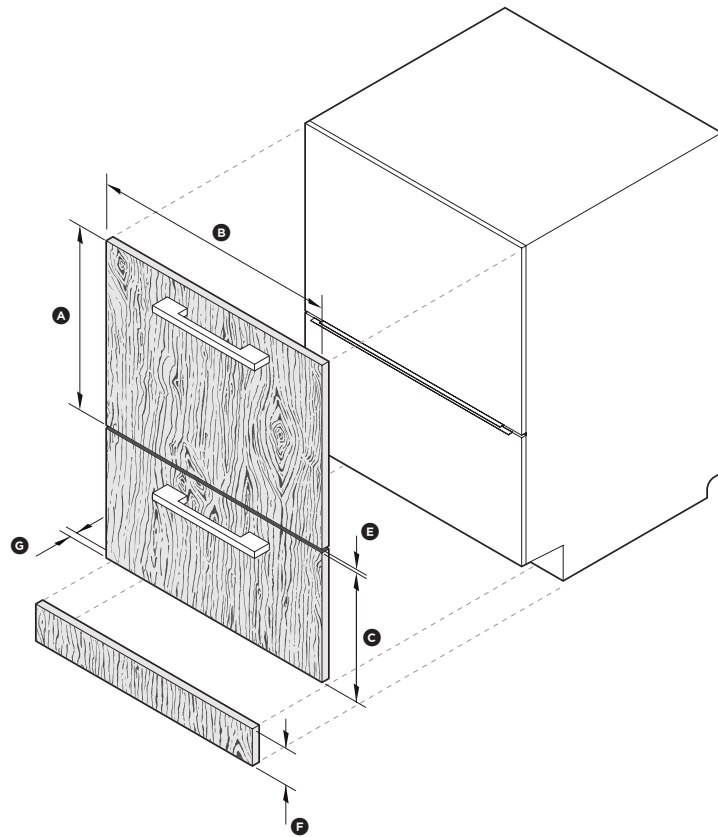
Model no:
DD24DT19_N
DD24DHT19_N
 (refer page 2 for imperial measurements)

Dimensions	mm
Ⓐ Minimum height of top drawer panel*	442
Ⓒ Width of top drawer and bottom drawer panels	596 - 615
Ⓓ Minimum height of bottom drawer panel*	311 - 360
Ⓔ Height from floor to top of bottom drawer panel	414 - 474
Ⓕ Ventilation gap between top drawer panel and bottom drawer	8
Ⓖ Height of toe-kick panel*	58 - 118
Ⓗ Depth of custom panels	16 - 20

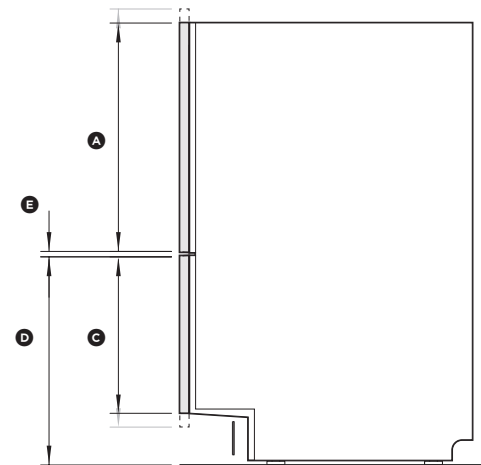
Maximum weight of each drawer panel (including handle)	9 kg
--------------------------------------------------------	------

* The top drawer panel may be extended up, or the bottom panel down from the fixed gap between both. Adjust the height of the toe-kick panel accordingly.

NOTE:
 If the toe-kick depth is greater than 50mm, the panel will need to be cut to clear the underside of the tub, please refer to the installation manual and panel preparation downloads for more detail.



ISO VIEW



PROFILE VIEW

DATE: 28.05.2018

IMPORTANT NOTE: Throughout this guide, dimensions may vary by $\pm 2\text{mm}$ (1/16"). Please read the installation manual for detailed information on installing the product. For full installation instructions & specifications visit fisherpaykel.com