



# 36-INCH FRENCH DOOR BUILT-IN PANEL-READY

DRF365300AP



## PRODUCT FEATURES

- ◆ Full height door with true flush cabinet integration without exposed venting grille
- ◆ MetalCool™ Interior illuminated by 3DLighting™
- ◆ FreshZone™ Drawer with three customizable temperatures for Meat/Fish, chilled drinks and dairy
- ◆ Internal Water Dispenser for easy access to clean, filtered water

## DIMENSIONS & WEIGHT

APPLIANCE DIMENSIONS (H X W X D) (IN.)	83 3/8" X 35 3/4" X 23 13/16"
REQUIRED CUTOUT SIZE (HXWXD) (IN.)	84" X 36" X 25"
NET WEIGHT (LBS)	562 LBS.

## GENERAL PROPERTIES

PANEL READY	YES
INTERNAL WATER DISPENSER	YES
ICEMAKER	STANDARD ICE
DEODORIZING FILTER	YES
LIGHTING	3D LIGHTING™
INTERIOR MATERIAL	METALCOOL™ INTERIOR
FULL WIDTH SHELVES - REFRIGERATOR	2 EA
ADJUSTABLE SHELVES - REFRIGERATOR	2 EA
SHELF MATERIAL - REFRIGERATOR	TEMPERED GLASS SPILL-PROOF SHELVES
FULL EXTENSION DRAWERS AT 90° DOOR OPENING ANGLE	YES
FRESHZONE™ DRAWER	YES - CHEESE (37°F) / COLD DRINKS (33°F) / MEAT (29°F)
CRISPER DRAWERS	2 EA
DOOR BINS - REFRIGERATOR	6 EA
FREEZER DRAWERS	2 EA
DOOR OPEN ALARM	YES
SPECIAL MODES	SABBATH MODE

## CAPACITY

TOTAL UNIT GROSS CAPACITY (CU.FT.) - AHAM	21.3 CU. FT.
REFRIGERATOR GROSS CAPACITY (CU.FT.)	14.5 CU. FT.
FREEZER GROSS CAPACITY (CU.FT.)	6.8 CU. FT.

## PERFORMANCE

DOUBLE COOLING (2 EVAPORATORS, 1 COMPRESSOR)	YES
POWER COOL - REFRIGERATOR	YES
DEFROST PROCESS - FREEZER	YES
PRECISE COOLING	FROST-FREE
PRECISE COOLING	YES

## EFFICIENCY

ENERGY STAR® QUALIFIED	YES
ANNUAL ENERGY CONSUMPTION	549 KWH/YEAR

## TECHNICAL DETAILS

CURRENT (A)	6
VOLTS (V)	115
FREQUENCY (HZ)	60
POWER CORD LENGTH (IN.)	78 3/4"
PLUG TYPE	120 V, 3 PRONG

## TEMPERATURE RANGES

REFRIGERATOR	34°(1°) TO 44°(7°)
REFRIGERATOR - POWER COOL	34°(1°)
FRESHZONE™ DRAWER	37°(3°) / 33°(1°) / 29°(-1°)
FREEZER	5°(-15°) TO -8° (-23°)
FREEZER - POWER FREEZE	-8°(-23°)



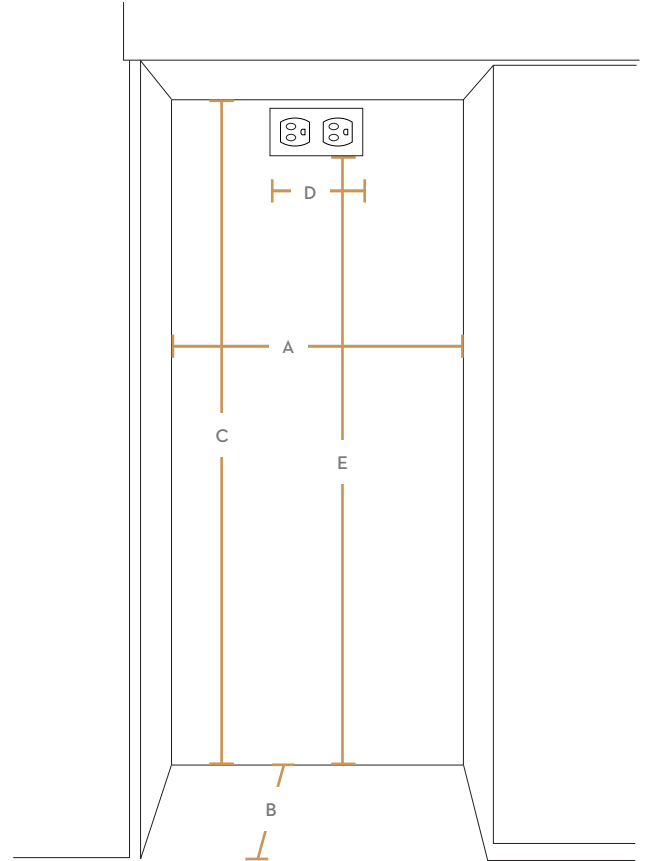
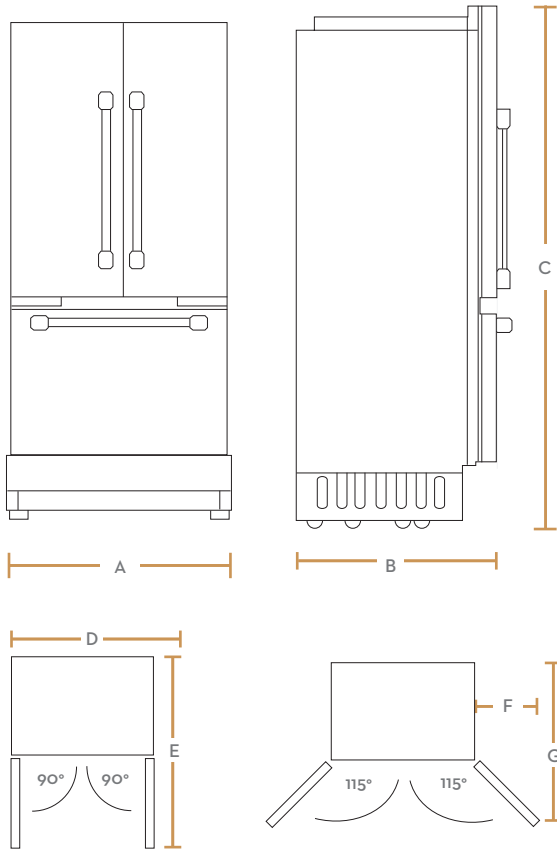
## 36-INCH FRENCH DOOR BUILT-IN PANEL-READY

### APPLIANCE DIMENSIONS

A (WIDTH)	35 3/4" (908MM)
B (DEPTH)	25" (635MM)
C (HEIGHT)	83 3/8" (2118MM) - FRONT
D	35 5/8" (905MM)
E	44 7/8" (1140MM)
F	20 9/16" (496MM)
G	44" (1118MM)

### INSTALLATION CUTOUT DIMENSIONS

A (WIDTH)	36" (914MM)
B (DEPTH)	25" (635MM)
C (HEIGHT)	84" (2134MM)
D	26" (660MM)
E	80" (2032MM)



### ACCESSORIES

FRENCH-DOOR TRANSITIONAL REFRIGERATOR SILVER STAINLESS PANEL KIT: SILVER STAINLESS	RAF36ACAASR
FRENCH-DOOR REFRIGERATOR PRO PANEL KIT: SILVER STAINLESS	RAF36AHAASR
FRENCH-DOOR CONTEMPORARY REFRIGERATOR GRAPHITE PANEL KIT: GRAPHITE STAINLESS	RAF36AMAAMS
FRENCH-DOOR CONTEMPORARY REFRIGERATOR SILVER STAINLESS PANEL KIT: SILVER STAINLESS	RAF36AMAASR
FRENCH-DOOR REFRIGERATOR EPICURE PANEL KIT: SILVER STAINLESS	RAF36AEAASR
WATER FILTER	RAC00WFAAAA
DEODORIZING FILTER	RAC00DFAAAA

### WARRANTY

LIMITED, ENTIRE APPLIANCE, PARTS AND LABOR ON ANY PART OF THE REFRIGERATOR	2 YEAR
LIMITED WARRANTY FOR SEALED REFRIGERATION SYSTEM; PARTS AND LABOR	3RD TO 6TH YEAR
LIMITED WARRANTY FOR SEALED REFRIGERATION SYSTEM; PARTS ONLY	7TH TO 12TH YEAR
LIMITED WARRANTY FOR COMPRESSOR; PARTS ONLY	13TH TO 15TH YEAR