



# 36-INCH COUNTER DEPTH FRENCH DOOR REFRIGERATOR

DRF36C000SR -Silver Stainless Steel  
DRF36C000MT -Graphite Stainless Steel



## PRODUCT FEATURES

- ◇ Counter Depth French Door Bottom Freezer
- ◇ MetalCool™ Stainless steel interior illuminated by LED lighting
- ◇ FreshZone™ Drawer with four customizable temperatures for Meat/Fish, chilled drinks, dairy and wine
- ◇ Large exterior ice and water dispenser with hidden display for easy access to fresh, filtered water
- ◇ Best-in class food preservation with dedicated evaporator/compressor and Precise Cooling Technology

## DIMENSIONS & WEIGHT

APPLIANCE DIMENSIONS (H X W X D) (IN.)	70" X 35 3/4" X 30 7/8"
REQUIRED CUTOUT SIZE (HXWXD) (IN.)	70" X 36" X 24"
NET WEIGHT (LBS)	375 LBS.

## GENERAL PROPERTIES

EXTERIOR WATER DISPENSER	YES
ICEMAKER	YES
REMOTEVIEW CAMERA	NO
INTERIOR PITCHER WITH AUTO-WATER-FILL	YES
LIGHTING	LED COLUMNS
FULL WIDTH SHELVES - REFRIGERATOR	3 EA
ADJUSTABLE SHELVES - REFRIGERATOR	2 STANDARD AND 1 SLIDE & FOLD SHELF, 1 FLIP UP SHELF
SHELF MATERIAL - REFRIGERATOR	TEMPERED GLASS SHELVES
FRESHZONE™ DRAWER	4 TEMPERATURE SETTINGS DAIRY (37°) / CHILLED DRINKS (33°) / MEAT (29°) / WINE (41°) AND 4 ZONE CUSTOMIZABLE SMART STORAGE DIVIDER
CRISPER DRAWERS	2 EA
DOOR BINS -REFRIGERATOR	7EA
FREEZER DRAWERS	1 EA
DOOR OPEN ALARM	YES
SPECIAL MODES	SABBATH MODE

## CAPACITY

TOTAL UNIT GROSS CAPACITY (CU.FT.) - AHAM	22.6 CU. FT.
REFRIGERATOR GROSS CAPACITY (CU.FT.)	12.9 CU. FT.
MID DRAWER GROSS CAPACITY (CU.FT.)	3.1 CU. FT.
FREEZER GROSS CAPACITY (CU.FT.)	6.6 CU. FT.

## PERFORMANCE

DOUBLE COOLING (2 EVAPORATORS, 1 COMPRESSOR)	YES
POWER COOL - REFRIGERATOR	YES
DEFROST PROCESS - FREEZER	YES
PRECISE COOLING	FROST-FREE
PRECISE COOLING	YES

## EFFICIENCY

ENERGY STAR® QUALIFIED	YES
ANNUAL ENERGY CONSUMPTION	554 KWH/YEAR

## TECHNICAL DETAILS

CURRENT (A)	6
VOLTS (V)	115
FREQUENCY (HZ)	60
POWER CORD LENGTH (IN.)	60
PLUG TYPE	120 V, 3 PRONG

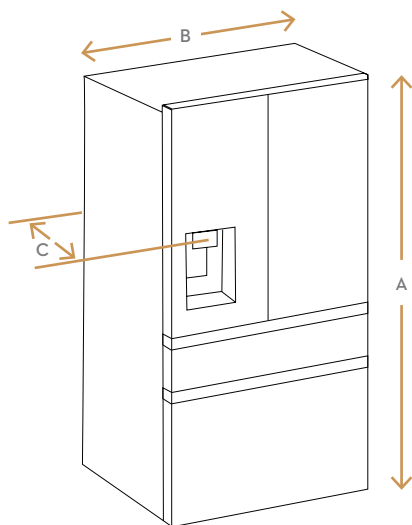
## TEMPERATURE RANGES

REFRIGERATOR	34°F (1°C) TO 44°F (7°C)
REFRIGERATOR - POWER COOL	34°F (1°C)
FRESHZONE™ DRAWER	37°(3°) / 33°(1°) / 29°(-1°)
FREEZER	5°(-15°) TO -8° (-23°)
FREEZER - POWER FREEZE	-8°F (-23°C)

# dacor 36-INCH COUNTER DEPTH FRENCH DOOR REFRIGERATOR

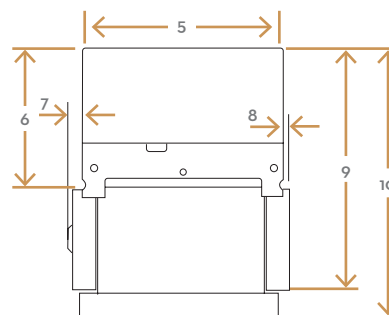
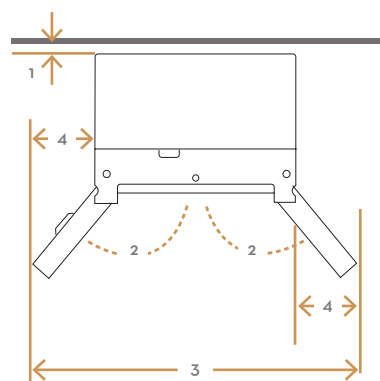
## APPLIANCE DIMENSIONS

A (HEIGHT)	70" (1777MM)
B (WIDTH)	35 3/4" (908MM)
C (DEPTH)	29 1/4" (742MM)



## DIMENSIONS

1	2" (50MM)
2	135°
3	64" (1624MM)
4	14 1/8" (358MM)
5	35 3/4" (908MM)
6	24" (610MM)
7	2 1/2" (64MM)
8	1 3/4" (45.4MM)
9	43 1/8" (1095.5MM)
10	45" (1143MM)



## ACCESSORIES

WATER FILTER	RACOOWFAAAA
DEODORIZING FILTER	RACOODFAAAA

## WARRANTY

LIMITED, ENTIRE APPLIANCE, PARTS AND LABOR ON ANY PART OF THE REFRIGERATOR	2 YEAR
LIMITED WARRANTY FOR SEALED REFRIGERATION SYSTEM; PARTS AND LABOR	3RD TO 6TH YEAR
LIMITED WARRANTY FOR SEALED REFRIGERATION SYSTEM; PARTS ONLY	7TH TO 12TH YEAR