

Oven, 30", 10 Function, Self-cleaning

Series 9 | professional

Stainless Steel with Black Glass

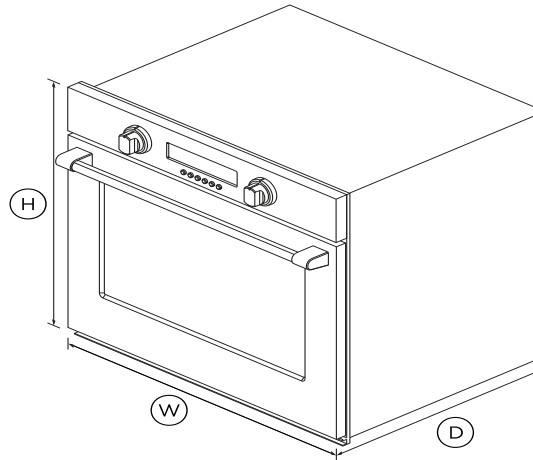


A highlight of the Fisher & Paykel range, this Series 9 oven ensures that every dish you create is cooked to perfection.

- 4.1 cu ft total capacity
- 10 oven functions including Aero™ Pastry and Roast
- High-temperature self-cleaning function breaks down food residue for an easy clean
- Non-tip, full-extension shelves for safe removal of hot dishes

DIMENSIONS

Height	27 1/8"
Width	29 3/4"
Depth	23 5/16"



FEATURES & BENEFITS

Cooking flexibility

This built-in oven has 10 functions with pre-set temperatures, including Roast, Pasty Bake and Maxi Broil allowing you to use a variety of cooking styles.

Even cooking

A digital microprocessor monitors the temperature to ensure precise heat and a four-way convection system creates even heat distribution throughout the oven, ideal for multi-shelf cooking.

Sized to suit

Designed for multi-shelf cooking, this built-in oven provides 4.1

cu.ft of total capacity allowing you to cook the family roast and a pie for dessert.

Self cleaning

The self-clean function breaks down food residue at a very high temperature, leaving a light ash that's easily removed with a damp cloth. For best results, wipe down the inside of your oven door before you use the self-clean function.

Information at a glance

Halo illuminated dials provide information at a glance. White - heating up; orange - temperature is reached; red - self-cleaning mode. Three halogen lights and the large oven window creates excellent visibility of what's cooking.

Safe and sound

The CoolTouch door with triple glazing and cooling system is safe to touch from the outside, protecting your hands and the surrounding cabinetry.

SPECIFICATIONS

Accessories

Roast dish, splatter guard and	1
--------------------------------	---

Capacity

Shelf positions	8
Total	4.1cu ft
Usable capacity	3.6cu ft

Cleaning

Self-clean	•
------------	---

Controls

Halogen lights	3
----------------	---

Sabbath mode •

Functions

- Bake •
- Broil •
- Convection bake •
- Convection pastry •
- Maxi Broil •
- Number of functions **10**
- Pastry Bake •
- Roast •
- Self-clean function •
- True Convection •
- True Convection Oven •
- Warm •

Performance

Broil power **4;400W**
 Convection power **2;500W**

Power requirements

Electric circuit **4 wire**
 Rated current **30A**
 Supply frequency **60Hz**
 Supply voltage **120 - 240V**

Product dimensions

Depth **23 ⁵/₁₆ "**
 Height **27 ¹/₈ "**
 Width **29 ³/₄ "**





Safety

Full extension sliding shelves **3**
 Temperature probe (included) •

SKU **71377**

The product dimensions and specifications in this page apply to the specific product and model. Under our policy of continuous improvement, these dimensions and specifications may change at any time. You should therefore check with Fisher & Paykel's Customer Care Centre to ensure this page correctly describes the model currently available. Â© Fisher & Paykel Appliances Ltd 2019.

Other product downloads available at fisherpaykel.com

-  [Quick Start Guide](#)
-  [User Guide](#)
-  [Service & Warranty Booklet](#)
-  [Installation Guide](#)
-  [Resources \(zip\)](#)



A PEACE OF MIND SALE

24 Hours 7 Days a Week Customer Support

T 1300 650 590 W www.fisherpaykel.com