

DVG50T5300C

SAMSUNG

Samsung Top Load Gas Dryer with Sensor Dry

7.4 cu. ft. Capacity DOE



Signature Features

Sensor Dry

- Automatically optimizes the time and temperature of your drying cycle to protect your clothes from heat damage, while avoiding excessive energy use.

10 Preset Drying Cycles

- More cycles to cover almost every drying need for your active family.

Reversible Dryer Door

- Choose the direction your dryer door opens to better ensure your dryer will fit in your laundry space.

Available Color



Champagne



Sensor Dry



Reversible Dryer Door

Features

- Sensor Dry
- 10 Preset Drying Cycles
- Reversible Dryer Door
- Smart Care¹
- Interior Drum Light
- Accessibility (AUI, Braille)
- 9 Additional Drying Options
- 5 Temperature Levels
- Wrinkle Prevent
- 3-Way Venting
- Powder Coat Interior
- 7.4 cu. ft. Capacity
- LED Display: Ice Blue

Convenience

- Child Lock
- Lint Filter Indicator

¹ Requires Samsung Smart Washer/Dryer App. The Samsung Smart Washer/Dryer app supports Android OS 2.3.6 or later and iOS 3 or later for iPhone models. Smart Washer/Dryer app available in App Store and Play Store.

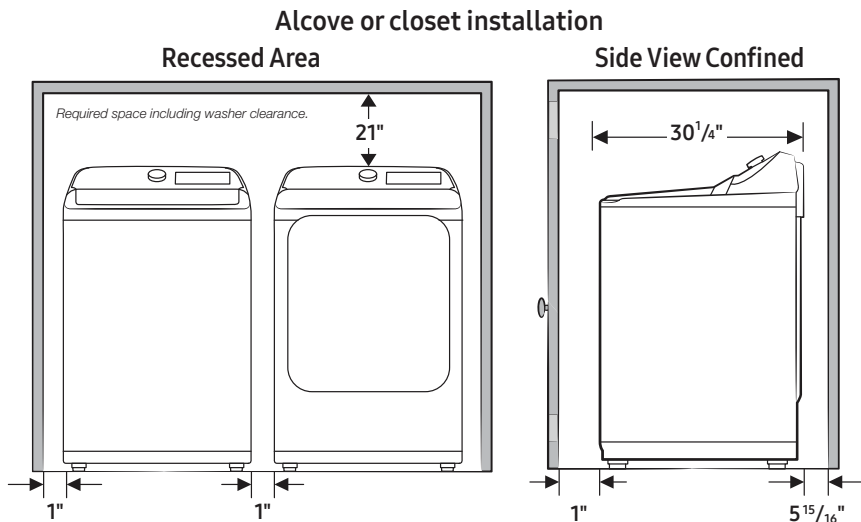
DVG50T5300C

SAMSUNG

Samsung Top Load Gas Dryer with Sensor Dry

7.4 cu. ft. Capacity DOE

Installation Specifications



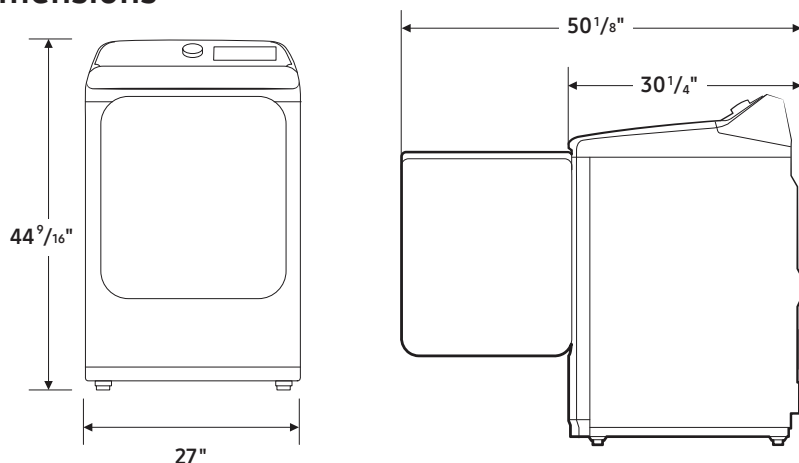
Minimum clearances for closets and alcoves:

Sides – 1"
Top – 21"
Rear – 5¹⁵/₁₆"
Closet Front – 1"

If both the washer and a dryer are installed in the same location, the front of the alcove or closet must have two unobstructed air openings for a combined minimum total area of 72-inch². This clearance requirement is applicable for washers only.

For dryer's clearance requirement, see the dryer's user manual.

Dimensions



3-Way Venting

10 Preset Drying Cycles:

Normal, Heavy Duty, Permanent Press, Bedding, Delicates, Sanitize, Time Dry, Air Fluff, Quick Dry, Wrinkle Release

9 Additional Drying Options:

Damp Alert, Wrinkle Prevent, Adjust Time (Up), Adjust Time (Down), Child Lock, Alarm Off, Eco Dry, Smart Care, Drum Light

5 Temperature Levels:

High, Medium High, Medium, Medium Low, Low

5 Dry Levels:

More Dry, Normal-More Dry, Normal Dry, Normal-Less Dry, Less Dry

Warranty

One (1) Year Parts and Labor

Product Dimensions & Weight (WxHxD)

Dimensions: 27" x 44⁹/₁₆" x 30¹/₄"

Weight: 119.0 lbs

Shipping Dimensions & Weight (WxHxD)

Dimensions: 29⁹/₁₆" x 46¹⁵/₁₆" x 31³/₁₆"

Weight: 125.7 lbs

Gas	Model #	UPC Code
Champagne	DVG50T5300C	887276399300

Electric	Model #	UPC Code
Champagne	DVE50T5300C	887276399331

Matching Washer	Model #	UPC Code
Champagne	WA50T5300AC	887276399317

Accessories	Model #	UPC Code
Vent Kit	DV-2A	887276146416