

EN

COOKERS MAJESTIC

HOW TO INSTALL THE ANTI-TIP BRACKET

HOW TO INSTALL THE ANTI-TIP BRACKET

- Unpack the cooker and mount the feet and adjust the height.
- Measure the height from the floor to the top edge of the back-cross bar (Fig. 4) and add 15mm.



Fig. 4

- Mark the total height on the rear wall at the centre of the cooker width. Make two holes and install the fixing bracket.

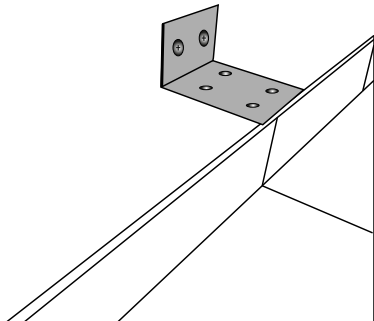


Fig. 4a

OPTION 1: wall mounted bracket
 ATTENTION: check that the cooker is leaning against the rear wall to avoid tipping.

WARNING

A child or adult can tip the range and be killed
 Install the anti-tip device to the structure and/or the range (see pictures for details)
 Engage the range to the anti-tip device as explained in the pictures.
 Re-engage the anti-tip device if the range is moved
 See pictures for details
 Failure to do so can result in death or serious burns to children or adults

- Adjust the height of the fixing brackets based on the measurement made as explained above. Fix them to the floor as shown in the picture below.

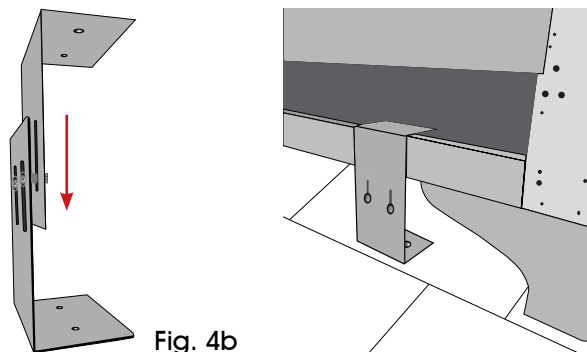
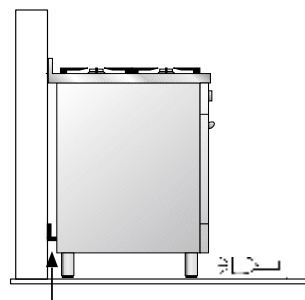


Fig. 4b

OPTION 2: floor mounted bracket
 ATTENTION: in this case 2 brackets are needed

After removing the drawer, or the panel under the door, using a flashlight, verify that the anti-tip bracket has been installed properly.



Anti-tip bracket