

Dual Fuel Range, 30", 4 Burners, Self-cleaning

Series 9 | Classic

White

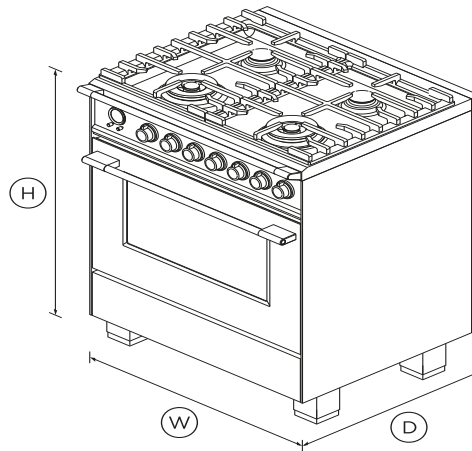


Get the best of both worlds with dual fuel. A gas cooktop with wok burner is paired with a convection oven with 9 functions.

- Four burner gas cooktop with two dual wok burners
- Convection oven with 3.5 cu.ft total capacity and nine oven functions including Roast, Aero Pastry™ with pizza mode and rapid proof for baking bread
- Non-tip full-extension shelves for safe removal of hot dishes, and CoolTouch door
- High-temperature self-cleaning function breaks down food residue for an easy clean

DIMENSIONS

Height	35 ³ / ₄ - 37 ⁵ / ₈ "
Width	29 ⁷ / ₈ "
Depth	25 ¹ / ₄ "



FEATURES & BENEFITS

Multi-shelf cooking

Our AeroTech™ system circulates air evenly throughout the entire oven so dishes on the top shelf turn out just as perfect as food cooking on the bottom shelf.

Quality and durability

Every detail has been carefully crafted. The solid, perfectly balanced soft-close door, durable cooktop trivets and glowing halo dials all add up to an exceptional, premium range.

Easy to clean

Cleaning up spills is effortless. Your cooktop simply needs a quick wipe to keep it looking good as new. The self-clean function breaks down food residue at a very high temperature, leaving a light ash that's easily removed with a damp cloth.

Burner power & control

Instant and immediate control from the highest to the gentlest heat. The finely tuned cooktop controls let you sear, stir fry or simmer a delicate sauce to perfection.

Large capacity oven

The generous 3.5 cu.ft total capacity oven gives you plenty of space to cook multiple dishes at once.

Even heat

Accurate, electronically-controlled oven heat ensures a great result every time.

SPECIFICATIONS

Accessories

2-pc grill system (Broil pan and	•
Broil pan	•
Full Extension Telescopic	2 sets (part 578776)
Hob rear trim (optional)	3 1/8" (part 84656)
Kick strip, stainless steel	Part 81660
Pyrolytic proof shelf runners	•
Small pot support	1 (part 533981 cast)
Wok stand	1 (part 534678)

Capacity

Total capacity	3.5cu ft
----------------	----------

Cleaning

Acid resistant graphite enamel	•	Number of main oven functions	9	Warming drawer power	220W
Dishwasher safe trivets	•				
Drop down broil element	•	Oven features		Power requirements	
Drop down grill element	•	AeroTech™ technology	•	Amperage	30A
Flat easy clean glass surface	•	Automatic rapid pre-heat	•	Supply frequency	60Hz
Pyrolytic proof shelf runners	•	Combined Warming/Storage	•	Supply voltage	208 - 240V
Pyrolytic self-clean	•	Concealed element	•		
Removable oven door	•	Electronic oven control	•	Product dimensions	
Removable shelf runners	•	Full extension telescopic	2 sets (part 578776)	Depth	25 1/4 "
		Internal light	2 x 25W halogen (rear)	Height	35 3/4 - 37 5/8 "
Controls		Pyrolytic proof shelf runners	•	Installation cutout dimensions	25 1/4 "
Audio feedback	•	Pyrolytic self-clean	•	Installation cutout dimensions	30 "
Automatic cooking/minute	•	Self cleaning	•	Width	29 7/8 "
Automatic pre-set	•	Soft open/close door	•		
Bright chromed, cast zinc dials	•	True Convection	•	Rangetop features	
Celsius/Fahrenheit	•			Brass burner spreader (power	•
Electronic clock	•	Oven functions		Dishwasher safe trivets	•
High resolution display	•	Aero™ Bake	•	Embossed brass burner cap	•
Interior light	•	Aero™ Pastry with Pizza mode	•	Hob rail	•
Laser etched graphics	•	Maxi Broil	•	LPG/Natural gas compatible	•
Precise electronic temperature	•	Number of functions	9	Sealed range top	•
Sabbath mode	•	Pyrolytic self-clean	•		
Turned stainless steel clock	•	Rapid proof	•	Rangetop Performance	
Turned stainless steel clock dial	•	Roast	•	Dual wok burner inner / outer	18000BTU
		Self-clean	•	Dual wok burner inner / outer	1000 - 18000BTU
				Dual wok burner inner / outer	18000BTU
Gas requirements		Oven performance		Dual wok burner inner / outer	1000 - 18000BTU
Supply Pressure (LPG)	11" W.C.P	Broil	4050W	Max burner power	18000BTU
Supply Pressure (natural gas)	4" W.C.P	Combined warming/Storage	220W	Number Of Burners Elements	4
		CoolTouch door	Triple glazed	Semi-rapid burner (LPG)	8000BTU
Main oven features					

Semi-rapid burner (LPG) x2	1500 - 8000BTU
Semi-rapid burner (natural gas)	8000BTU
Semi-rapid burner (natural gas)	1500 - 8000BTU
Total cooktop power	52000BTU

Safety

Advanced cooling system	•
Anti-tilt bracket	•
Auto re-ignition system	•
Balanced oven door	•
Catalytic venting system	•
Full extension telescopic	•
Non-tip shelves	•
Spill containment	1/2 gallon

Warranty

Parts and labor	2 years
-----------------	----------------

SKU	81719
-----	-------

Other product downloads available at fisherpaykel.com

- [↓](#) User Guide
- [↓](#) Service & Warranty Booklet
- [↓](#) Installation Guide
- [↓](#) Resources (zip)



A PEACE OF MIND SALE

24 Hours 7 Days a Week Customer Support

T 1300 650 590 W www.fisherpaykel.com

The product dimensions and specifications in this page apply to the specific product and model. Under our policy of continuous improvement, these dimensions and specifications may change at any time. You should therefore check with Fisher & Paykel's Customer Care Centre to ensure this page correctly describes the model currently available. © Fisher & Paykel Appliances Ltd 2019.