

# Freestanding French Door Refrigerator Freezer, 36", 20.1 cu ft

Series 7 | contemporary

White

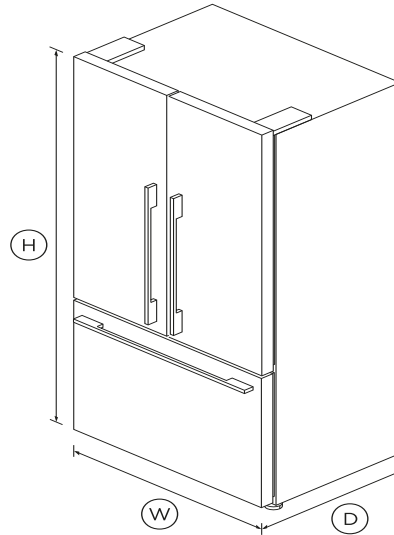


Designed for those who need plenty of flexible space for their cold and frozen food storage, with a classic white finish.

- ActiveSmart™ technology helps keep food fresher for longer by constantly maintaining the ideal temperature
- Spacious bottom freezer with full extension drawer gives easy access to frozen goods

## DIMENSIONS

Height	70 <sup>15</sup> / <sub>32</sub> "
Width	35 <sup>7</sup> / <sub>16</sub> "
Depth	27 <sup>3</sup> / <sub>8</sub> "



## FEATURES & BENEFITS

### ActiveSmart™ Foodcare

ActiveSmart™ Foodcare learns how you live. It's technology which understands how you use your fridge and adjusts temperature, airflow and humidity inside to help keep food fresher for longer.

### Clever energy

Your refrigerator adapts to daily use by cooling and defrosting only when needed. This means your refrigerator uses the energy it needs without compromising on food care.

### Easy cleaning

Spill-safe secure glass shelves easily capture any drips or leaks and prevent them from falling on items below.

### Humidity control system

Your fruit and veges need different environments. The humidity control slides in each storage bin create a microclimate that helps keep food fresher for longer.

### Simple storage

This refrigerator is designed to make it simple for you to store, access and remove food. Storage bins give you full access inside when they're pulled open and can be easily removed to clean. Our flexible shelving also gives you more storage options.

## SPECIFICATIONS

### Accessories

Contemporary round handle kit	25377
-------------------------------	-------

### Capacity

Freezer	5.5cu ft
Refrigerator	14.6cu ft
Total	20.1cu ft

### Consumption

Energy star certified	Most Efficient 2015
Energy usage	448kWh/year

### Freezer features

Bottle chill	•
Fast freeze	•
Frost free freezer	•
Ice tray	1

Ice trays	1
Large plastic bin	•
Small plastic bins	1

**Performance**

ActiveSmart™ Foodcare	•
ActiveSmart™ technology	•
Adaptive defrost	•
Frost free freezer	•
Humidity control system	•
Sabbath mode	•

**Product dimensions**

Depth	27 <sup>3</sup> / <sub>8</sub> "
Height	70 <sup>15</sup> / <sub>32</sub> "
Minimum air clearance - at rear	1- <sup>3</sup> / <sub>16</sub> " "
Minimum air clearance - each	<sup>13</sup> / <sub>16</sub> " "
Width	35 <sup>7</sup> / <sub>16</sub> "

**Refrigerator features**

Adjustable door shelves	6
Adjustable glass shelves	3
Covered door shelves	2
Deli storage bins	2
Door alarm	•
Fruit and vegetable bins	2
Full width door shelves	2
SmartTouch control panel	•
Stackable bottle holders	4






**Warranty**

Parts and labor	2 years
Sealed system parts only	5 years

SKU	25098
-----	-------

The product dimensions and specifications in this page apply to the specific product and model. Under our policy of continuous improvement, these dimensions and specifications may change at any time. You should therefore check with Fisher & Paykel's Customer Care Centre to ensure this page correctly describes the model currently available. © Fisher & Paykel Appliances Ltd 2019.

**Other product downloads available at fisherpaykel.com**

-  [User Guide](#)
-  [Service & Warranty Booklet](#)
-  [Installation Guide](#)
-  [Installation Guide \(Quick Reference\)](#)
-  [Resources \(zip\)](#)



**A PEACE OF MIND SALE**

**24 Hours 7 Days a Week Customer Support**

**T 1300 650 590 W www.fisherpaykel.com**