

FISHER & PAYKEL

DATA SHEET 36" CoolDrawer™

Model no:
RB36S25MKIW1
(refer page 3 for metric measurements)

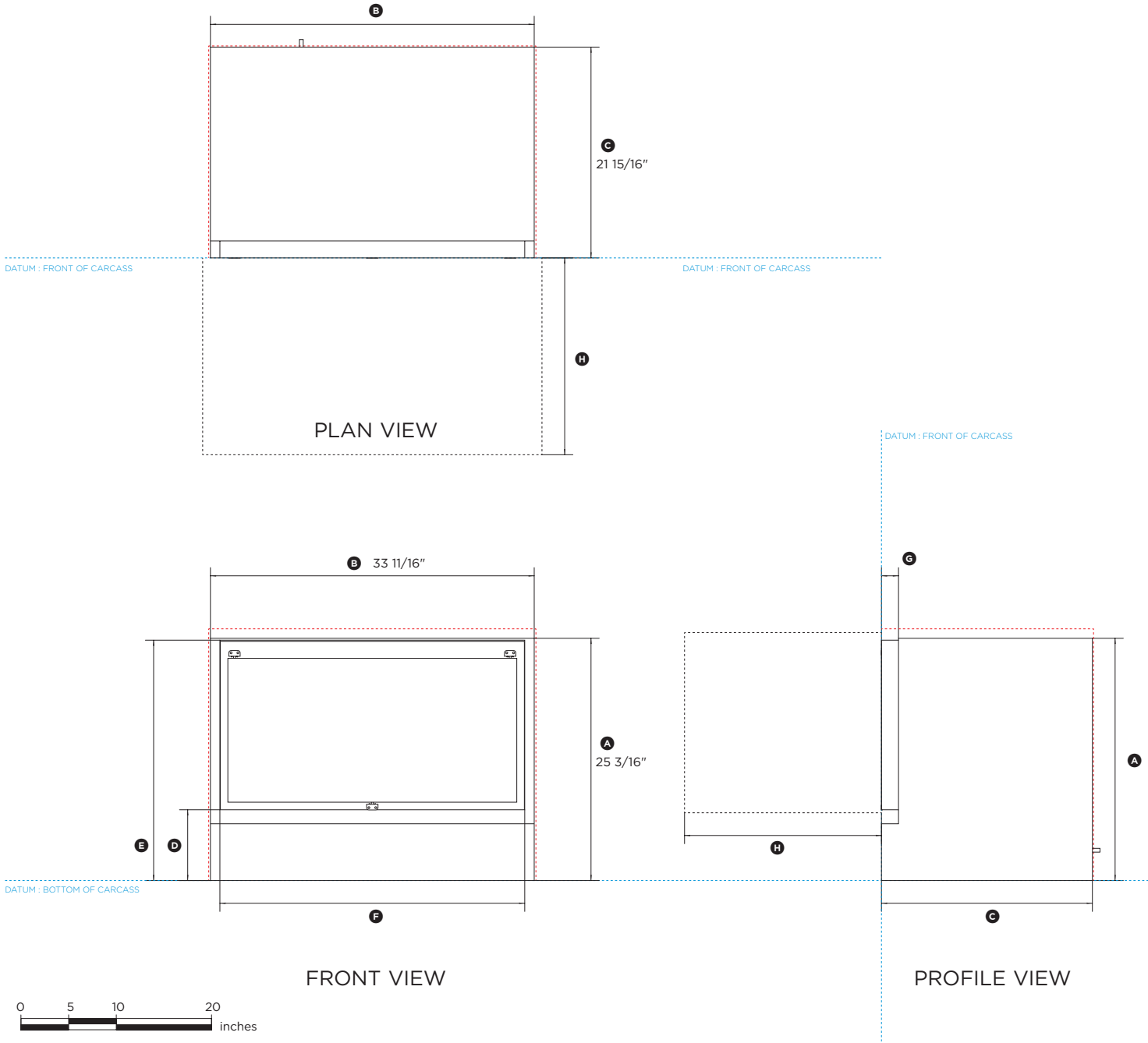
Product Dimensions	in
Ⓐ Overall height* of CoolDrawer™**	25 3/16"
Ⓑ Overall width* of CoolDrawer™	33 11/16"
Ⓒ Depth of CoolDrawer™ chassis (includes power terminal)	21 15/16"
Ⓓ Height from bottom datum to bottom of drawer front*	6 1/16" - 7 1/4"
Ⓔ Height from bottom datum to top of drawer front*	25"
Ⓕ Width of internal drawer front*	31 11/16"
Ⓖ Depth of internal drawer front*	1 3/4"
Ⓗ Depth of drawer (open) measured from front datum*	20 1/2"

* Does not include the custom door panel or handle to be manufactured and fitted by cabinetmaker

NOTE: Height of custom panel drawer and false panels can vary depending on door positioning and adjustment

Minimum Clearances	in
Minimum inside height of cavity from bottom datum**	26 3/16"
Minimum inside width of cabinetry	34"
Minimum inside depth of cavity from front datum	22 1/16"
Minimum gap between drawer panel to top of custom false panel	3/16"
Minimum height of toe kick	2 15/16"

* Minimum internal height of cabinetry can be 25 3/16" if outlet duct is not used. Refer to installation guide for details



INDICATES PRODUCT DATUM -----
INDICATES CABINETY CLEARANCES - - - - -

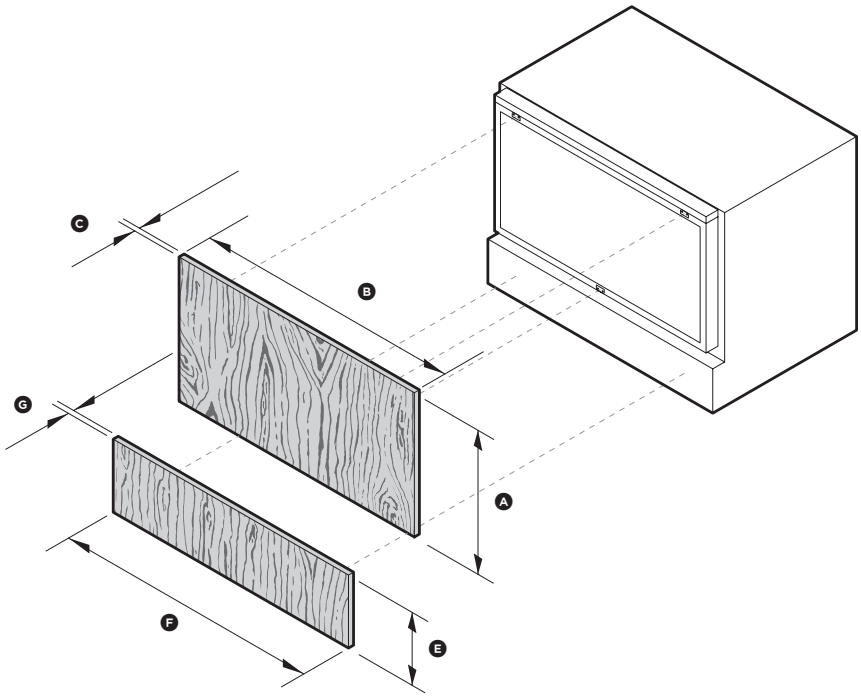
DATE: 01.06.2018

IMPORTANT: Throughout this guide, dimensions may vary by ±2mm (1/16"). Read the installation guide for detailed information on installing the product. For full installation instructions and specifications visit fisherpaykel.com

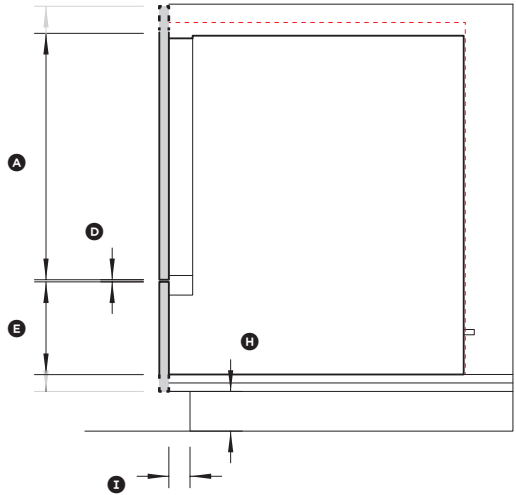
FISHER & PAYKEL

DATA SHEET 36" CoolDrawer™

Model no:
RB36S25MKIW1
(refer page 4 for metric measurements)



ISO VIEW



PROFILE VIEW

Custom Panel Dimensions	in
Ⓐ Height of custom drawer panel	min 18 3/4"
Ⓑ Width of custom drawer panel	35 1/4"
Ⓒ Depth of custom drawer panel	5/8" - 13/16"
Ⓓ Gap between panels	3/16"
Ⓔ Height of custom false panel	5 15/16" - 7 1/16"
Ⓕ Width of custom false panel	min 35 1/4"
Ⓖ Depth of custom false panel	5/8" - 13/16"
Maximum weight of drawer panel**	15 pounds

Minimum Clearances	in
Ⓗ Minimum height of toe kick	2 15/16"
Ⓙ Minimum depth of toe kick (not including custom panels)	1 9/16"

Custom false panel, drawer panel and handles to be manufactured and fitted by cabinetmaker. These panels must be adequately sealed to withstand moisture (932F @ 80% RH)

** Includes weight of handle

DATE: **01.06.2018**

IMPORTANT: Throughout this guide, dimensions may vary by ±2mm (1/16"). Read the installation guide for detailed information on installing the product. For full installation instructions and specifications visit fisherpaykel.com

FISHER & PAYKEL

DATA SHEET 36" CoolDrawer™

Model no:
RB36S25MKIW1
(refer page 1 for imperial measurements)

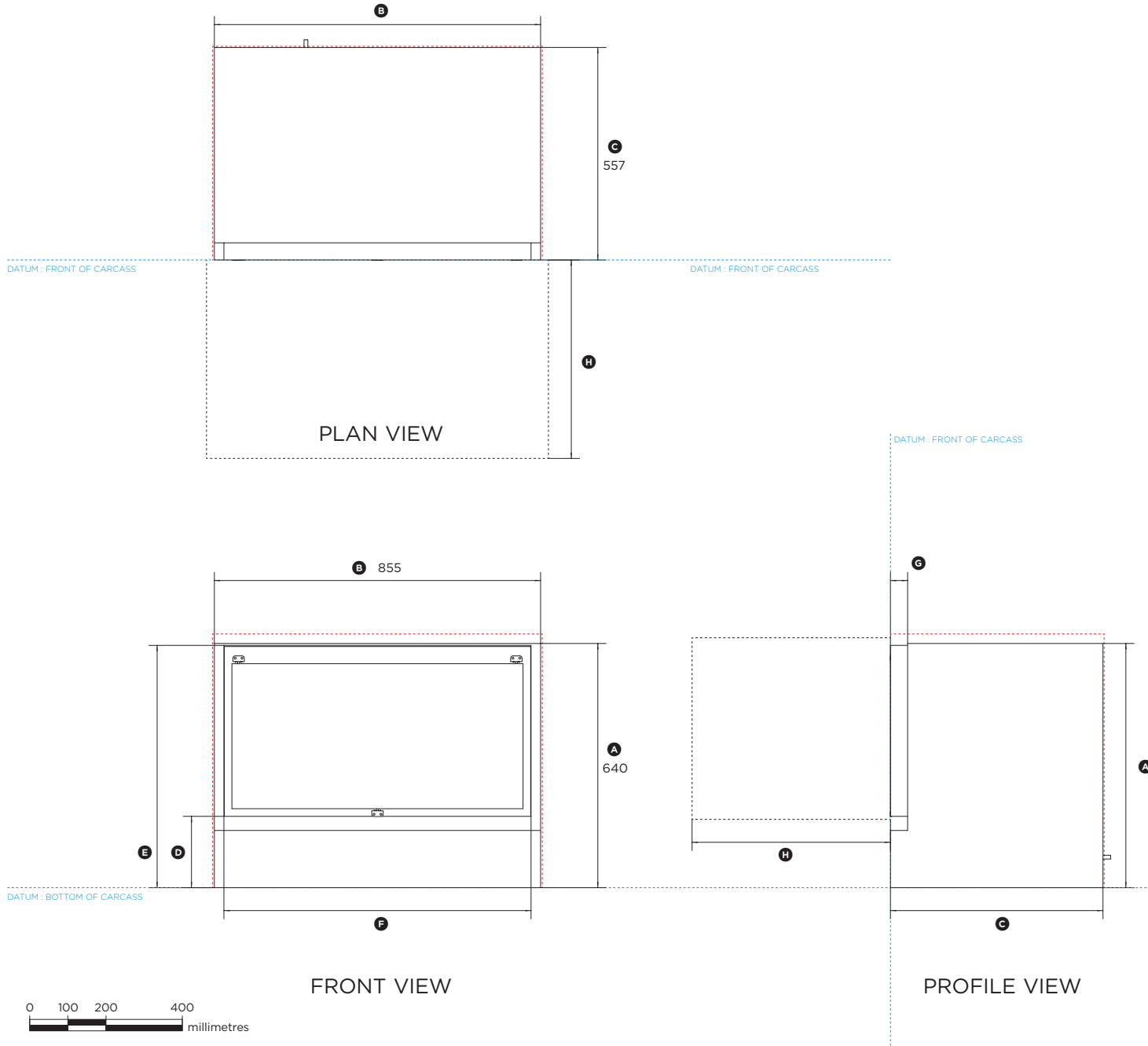
Product Dimensions	mm
Ⓐ Overall height* of CoolDrawer™**	640
Ⓑ Overall width* of CoolDrawer™	855
Ⓒ Depth of CoolDrawer™ chassis (includes power terminal)	557
Ⓓ Height from bottom datum to bottom of drawer front*	154 - 184
Ⓔ Height from bottom datum to top of drawer front*	635
Ⓕ Width of internal drawer front*	805
Ⓖ Depth of internal drawer front*	45
Ⓗ Depth of drawer (open) measured from front datum*	520

* Does not include the custom door panel or handle to be manufactured and fitted by cabinetmaker

NOTE: Height of custom panel drawer and false panels can vary depending on door positioning and adjustment

Minimum Clearances	mm
Minimum inside height of cavity from bottom datum**	665
Minimum inside width of cabinetry	864
Minimum inside depth of cavity from front datum	560
Minimum gap between drawer panel to top of custom false panel	4
Minimum height of toe kick	75

* Minimum internal height of cabinetry can be 644mm if outlet duct is not used. Refer to installation guide for details



INDICATES PRODUCT DATUM -----
INDICATES CABINERY CLEARANCES - - - - -

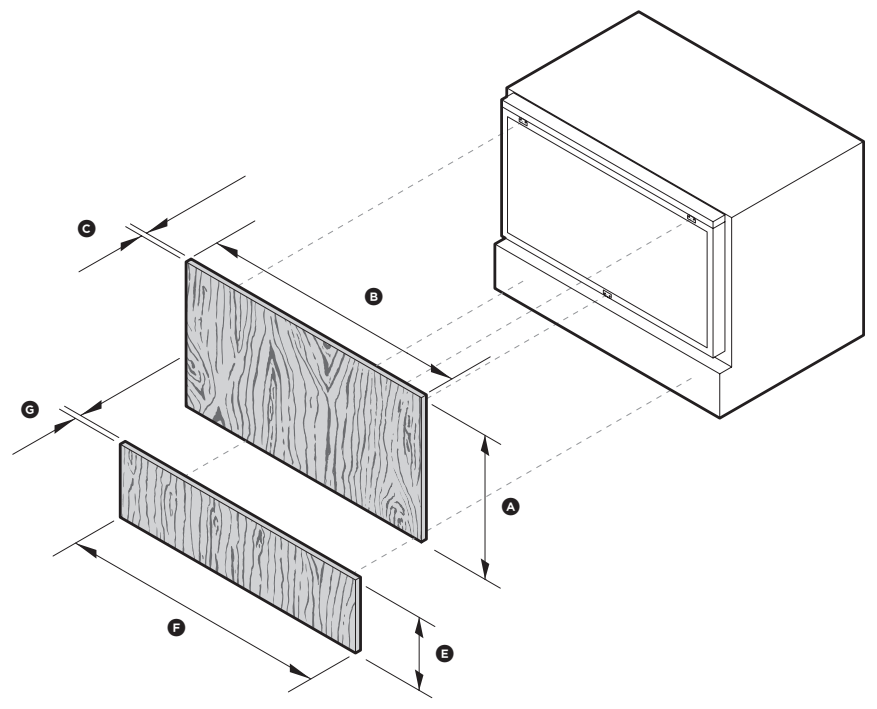
DATE: **01.06.2018**

IMPORTANT: Throughout this guide, dimensions may vary by $\pm 2\text{mm}$ (1/16"). Read the installation guide for detailed information on installing the product. For full installation instructions and specifications visit fisherpaykel.com

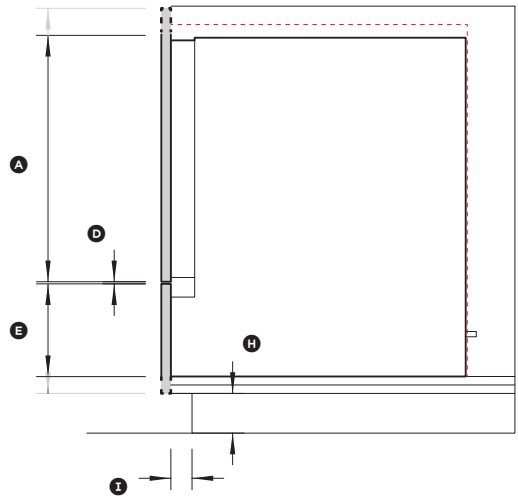
FISHER & PAYKEL

DATA SHEET 36" CoolDrawer™

Model no:
RB36S25MKIW1
(refer page 2 for imperial measurements)



ISO VIEW



PROFILE VIEW

Custom Panel Dimensions	mm
Ⓐ Height of custom drawer panel	min 476
Ⓑ Width of custom drawer panel	896
Ⓒ Depth of custom drawer panel	16 - 20
Ⓓ Gap between panels	4
Ⓔ Height of custom false panel	150 - 180
Ⓕ Width of custom false panel	min 896
Ⓖ Depth of custom false panel	16 - 20
Maximum weight of drawer panel**	7kg

Minimum Clearances	mm
Ⓘ Minimum height of toe kick	75
Ⓢ Minimum depth of toe kick (not including custom panels)	40

Custom false panel, drawer panel and handles to be manufactured and fitted by cabinetmaker. These panels must be adequately sealed to withstand moisture (50OC @ 80% RH)

** Includes weight of handle

DATE: **01.06.2018**

IMPORTANT: Throughout this guide, dimensions may vary by ±2mm (1/16"). Read the installation guide for detailed information on installing the product. For full installation instructions and specifications visit fisherpaykel.com