

ICONIC SERIES
HAIKU ISLAND



UNIQUE MATERIALS



LONG LIFE FILTER



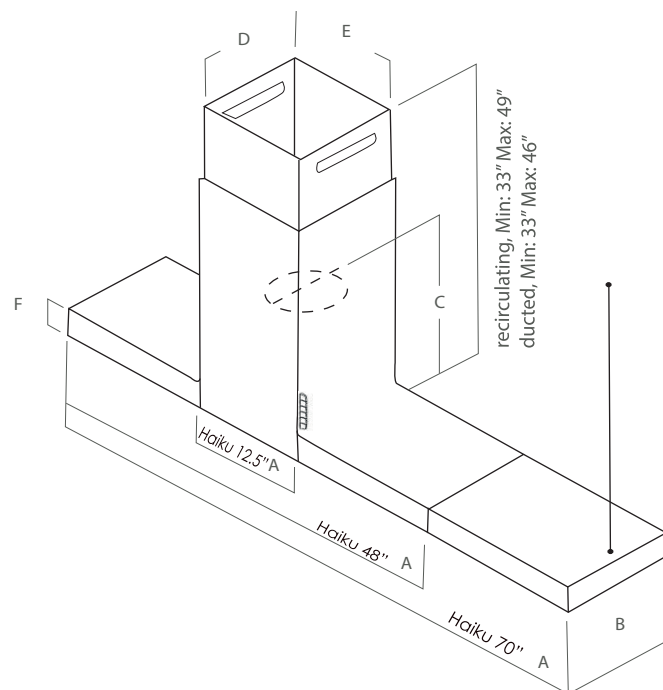
TOTAL INTEGRATION



DEEP SILENCE

ELICA'S EXCLUSIVE PLUS FEATURES

Shapes, materials and solutions. At Elica, our strong belief in research means that even the choice of materials becomes an essential element in the innovation process. With 3D Aluminum grids with cast iron effect, the grids are kept attached to the casting by means of magnets mounted on the hood. Therefore, the locking system prevents any accidental fall. Available in different sizes and different materials: full stainless steel, extra clear tempered glass with black screen printed and White Intense Krion.



A	12.5" 48" 70"
B	13"
C	19"
D	11 13/20"
E	12"
F	3 7/50"

ICONIC SERIES
HAIKU ISLAND



SPECIFICATIONS



	12.5" UNIT	48" UNIT	70" UNIT
Model:	EHI613SS	EHI648SS EHI648BL EHI648WH	EHI670SS
Dimensions:	12.5" x 12.5"	48" x 12.5"	70" x 12.5"
Blower type (internal):	600 CFM		
Blower performance:			
Speed 1	210 CFM		
Speed 2	340 CFM		
Speed 3	490 CFM		
Speed 4-Boost	550 CFM		
Noise (sones): At working speed	1.8		
Finish:	Stainless Steel	Stainless Steel, Black Glass, White Krypton®	Stainless Steel
Controls:	3S + 2B Touch Control		
Illumination:	Strip LED 1X7 W 3500 K		
Filter type:	6 layer mesh filter + sophisticated black iron grates		
Duct transition:	5"		
Installation type:	Duct out		
Electrical:			
KITS:			
Recirculating Kit:	CFC0141725AUL		

*Note: Reference image only. Check sizes and finishes availability.

PLUS FEATURES



Products designed in unique materials and finishes with great aesthetic impact but also with practical and durable characteristics, perfect for use in the kitchen.



LONG LIFE FILTER - One of a kind odour filter, capable of regenerating itself and of lasting up to 3 years. To maintain these characteristics, the filter only requires simple maintenance: wash every 2 or 3 months with hot water and mild soap (also in dishwasher at 65 degrees) and dry in the oven for ten minutes at 100 degrees.



TOTAL
INTEGRATION

The Total Integration products have been designed to be seamlessly integrated into the kitchen whilst maintaining harmony with the surroundings.



DEEP SILENCE

Haiku is equipped with Deep Silence noise abatement system that allows you to achieve high silence at all speeds thanks to the elimination of vortices and noise peaks.