

JB735SP/EP/FP/DP

GE® 30" Free-Standing Electric Convection Range with No Preheat Air Fry

DIMENSIONS AND INSTALLATION INFORMATION (IN INCHES)

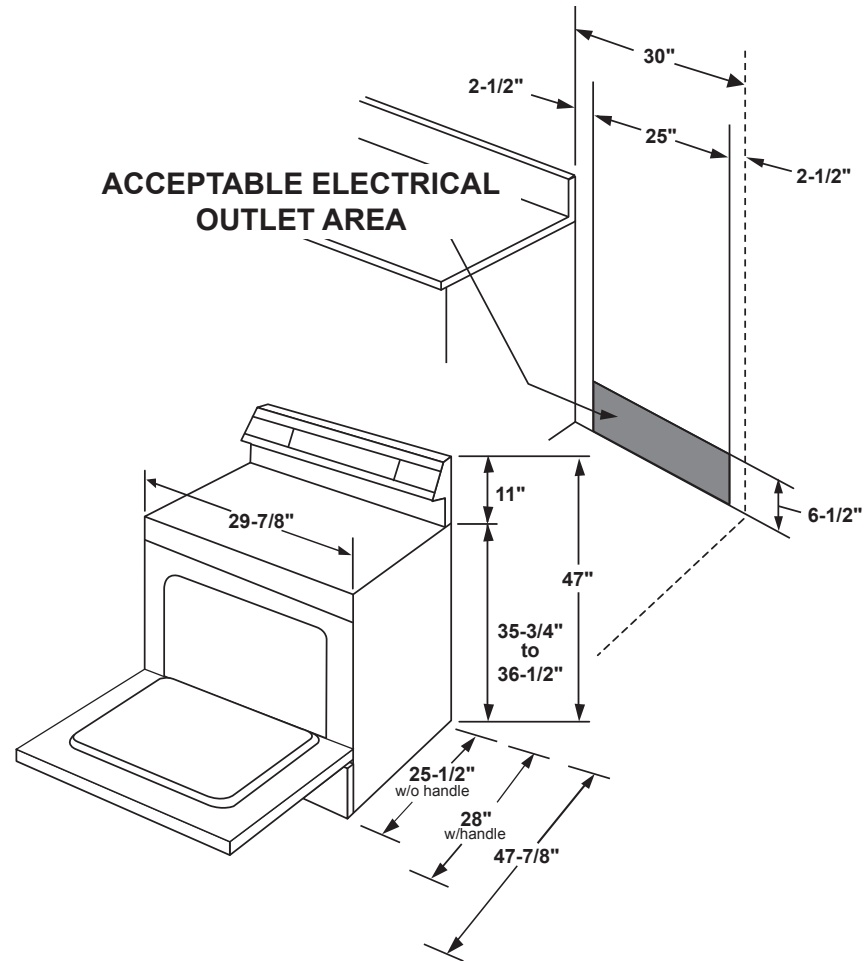
RECEPTACLE LOCATIONS: Locally approved flexible service cord or conduit must be used because terminals are not accessible after range installation. See shaded area in drawing for location of electrical outlet box. Recommended outlet locations allow range to be installed directly against wall.

NOTE: This appliance has been approved for 0" spacing to adjacent surfaces above the cooktop. However, a 6" minimum spacing to surfaces less than 15" above the cooktop and adjacent cabinet is recommended to reduce exposure to steam, grease splatter and heat.

INSTALLATION INFORMATION: Before installing, consult installation instructions for current dimensional data and additional requirements.

KW RATING	
240V	12.5
208V	9.4
BREAKER SIZE	
240V	40 Amps†
208V	40 Amps†

†NOTE: Check local codes for required breaker size.



For answers to your Monogram, GE Café™, GE Profile™ or GE Appliances product questions, visit our website at geappliances.com or call GE Answer Center® Service, 800.626.2000.



All GE Appliances ranges are equipped with an Anti-Tip device. The installation of this device is an important, required step in the installation of the range.



Specification Revised 7/20

JB735SP/EP/FP/DP

GE® 30" Free-Standing Electric Convection Range with No Preheat Air Fry

FEATURES AND BENEFITS

No Preheat Air Fry – With this air fryer right in the oven, you can cook healthier, crispier versions of your favorite foods. There's no preheat required and it shortens the cook time because every minute counts.

12"/9" Dual Element – A dual burner cooktop lets you choose between 12-inch and 9-inch electric elements for a more convenient cooking experience.

Convection – This convection oven cooks and browns more evenly, using a rear fan to circulate hot air.

Fast Preheat – Preheat the oven quickly and cut down on preheat time with a speedy preheat feature.

Fifth Element Warming Zone – A convenient low-heat warming zone provides even temperature control for foods on the cooktop.

Self-Clean with Steam Clean – This self-cleaning oven uses optional steam cleaning for light soils to clean the oven cavity with less heat and odor.

Hidden Bake Oven Interior – A clean and sleek interior that eliminates hard-to-reach areas and makes clean-up easier.

Black Gloss Oven Interior – A clean and sleek interior that is attractive and easy to maintain.

Delay Bake – Delay bake technology allows you to set up the oven to start preheating and baking at a later time.

Delay Clean – Program the oven to start a self-cleaning cycle at a later time.

Auto Temperature Conversion for Convection – Enjoy easy convection oven conversion by letting the oven automatically adjust the cooking temperature from standard settings to convection bake.

Model JB735SPSS – Stainless Steel

Model JB735EPES – Slate

Model JB735FPDS – Black Slate

Model JB735DPWW – White

Model JB735DPBB – Black

