

PROF30FDEXV

PROFESSIONAL SERIES

30" DOUBLE ELECTRIC CONVECTION OVEN SELF-CLEAN



Bring Italian design and precision into your kitchen with this Bertazzoni built-in double oven, engineered to install proud or flush in any type of kitchen cabinet.

Cook to perfection with Bertazzoni dual diagonal convection fans, providing best-in-class even heat throughout the extra large 4.1 cu.ft oven cavity.

Evenly bake large batches of cookies using all 7 levels of the oven.

Sear juicy steaks and broil delicate fish fillets under the full-width 8 pass broiler.

Enjoy the convenience of soft-motion balanced doors and no-fingerprint stainless steel.

Designed and manufactured with pride by Bertazzoni in Italy.

Industry leading 2 years parts and labor warranty.

PRODUCT FEATURES

| | |
|-------------------------------------|---|
| Oven type | Electric convection self-clean with electric broiler |
| Power rating (Rating at 240V) | Bake: 5400 W Broiler: 3400 W Convection: 3300 W |
| Oven Volume | 4.1 cu.ft. |
| Lower oven volume | 4.1 cu.ft. |
| Convection System | 2 Fans |
| User interface | Touch LED display |
| Cooking modes | Bake, Broil, Convection, Convection bake, Convection broil, Pizza |
| Special features | Defrost, Dehydrate, Fast preheat, Keep warm, Light, Proof, Self clean, Timer |
| Shelf levels | 7 |
| Door hinges | Soft-motion |
| Included accessories | 1 wire shelf flat + 1 wire shelf shaped 1 baking tray with roasting trivet |
| Included accessories (Lower cavity) | 1 wire shelf flat + 1 wire shelf shaped |

TECHNICAL SPECIFICATIONS

| | |
|---------------------------------|--|
| Electrical supply | 120/240 V 60 HZ - 11000 W 120/208 V 60HZ - 8800 W 50 Amp dedicated circuit |
| Power connection | Metal conduit with 59" power cord |
| Certification | CSA |
| Warranty | 2 years parts & labor |
| Packaging dimensions and weight | W 33 1/2" H 61" D 30" 412.5 lbs |

OPTIONAL ACCESSORIES

| | |
|--------|--|
| 901272 | Porcelain casserole dish |
| 901273 | Glass tray |
| 901511 | Telescopic glide set for 24" ranges and 30" wall ovens |

PROF30FDEXV

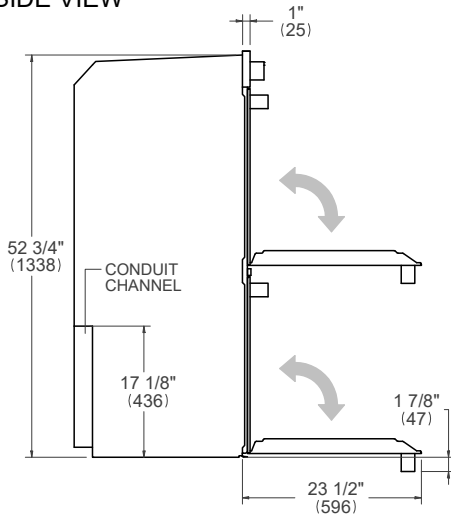
PROFESSIONAL SERIES

30" DOUBLE ELECTRIC CONVECTION OVEN SELF-CLEAN

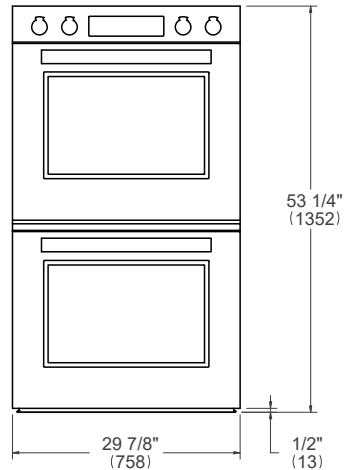


PRODUCT DIMENSIONS

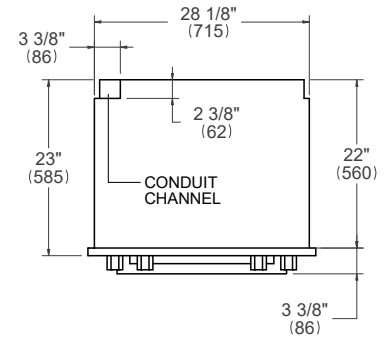
SIDE VIEW



FRONT VIEW

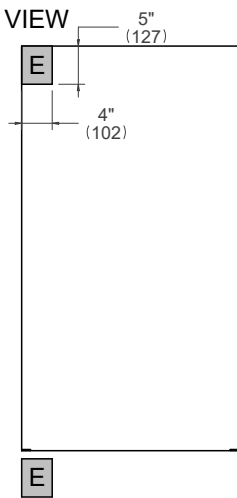


TOP VIEW



ELECTRICAL CONNECTION

FRONT VIEW



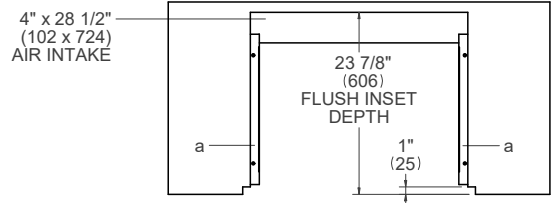
For single ovens installed into a wall cabinet, the electrical junction box may be located above, below to the left or right of the unit within reach of the power cord. Placement within the opening may require additional cabinet depth.

INSTALLATION REQUIREMENTS

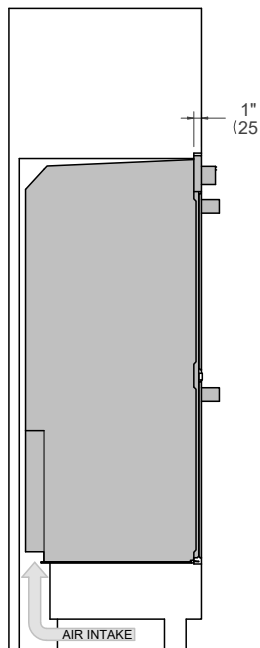
Minimum suggested load on cabinet base board is 440 lb (200 kg)

CUTOUT DIMENSIONS

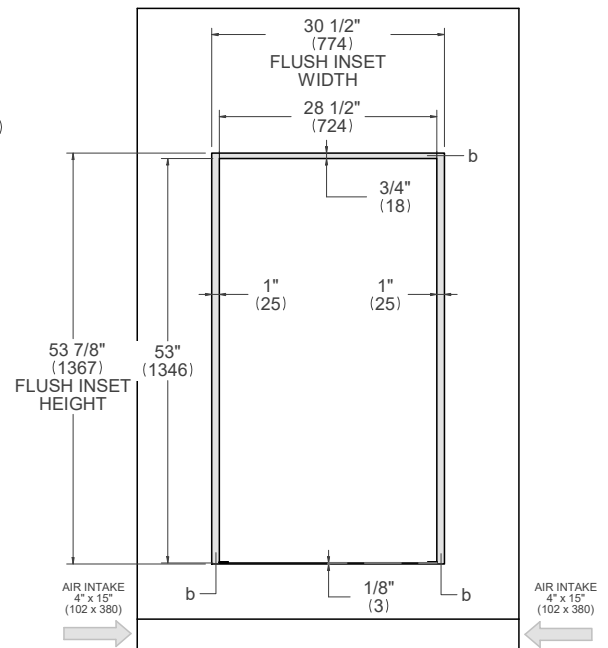
TOP VIEW



SIDE VIEW



FRONT VIEW



- (a) Spacers – Included with appliance
- (b) Visible Area – Match finish to outside cabinet panels

For installation of multiple products in combination, refer to the Design Guide at us.bertazzoni.com or ca.bertazzoni.com