
**BERTAZZONI
INSTALLATION MANUAL**

30" ELECTRIC DOUBLE BUILT-IN OVEN



TABLE OF CONTENTS

WARNINGS	4
DATA RATING LABEL	5
BEFORE INSTALLATION	6
Room ventilation	6
Cabinet requirement	6
Installing the oven in the unit	7
Important information	7
SPECIFICATIONS	8
Installing the oven in a tall appliance housing	8
Installation underneath a built-in hob	9
INSTALLATION REQUIREMENTS	10
Electrical	10
ELECTRICAL CONNECTION	10
WIRING DIAGRAM	12
INSTALLATION	14
Appliance installation	14
Removing the oven door	15
INSTALLATION CHECKLIST	16
FINAL PREPARATION	17
BERTAZZONI SERVICE	17

Models

PROF30FDEXT
PROF30FDEXV
MAST30FDEXT
MAST30FDEXV

Models

WARNINGS

To ensure proper and safe operation, the appliance must be properly installed and grounded by a qualified technician.

DO NOT attempt to adjust, repair, service, or replace any part of your appliance unless it is specifically recommended in this manual. All other servicing should be referred to a qualified servicer.

FOR THE INSTALLER: Before installing the Bertazzoni appliance, please read these instructions carefully. This appliance shall be installed in accordance with the manufacturer's installation instructions.

IMPORTANT: Leave these instructions with the owner, who should save them for local inspector's use and for future reference. DO NOT remove permanently affixed labels, warnings, or plates from product. This may void the warranty.

This user manual is an integral part of the appliance and must therefore be kept in its entirety in a place accessible to the user for the entire lifetime of the appliance.

Read this manual before using the appliance.

MANUFACTURER LIABILITY

The manufacturer shall bear no liability for property damage or personal injury due to:

- Use of the appliance other than that specified
- Failure to comply with the instructions in the user manual
- Tampering with/unauthorised modifications to any part of the appliance
- The use of non-original spare parts.
- This appliance is intended for cooking food in the home environment. Any other use shall be considered improper.
- The appliance is not designed to operate with external timers or with remote-control systems.

This appliance is NOT designed for installation in manufactured (mobile) homes or recreational park trailers.

DO NOT install this appliance outdoors.

This appliance must be properly grounded. Grounding reduces the risk of electric shock by providing a safe pathway for electric current in the event of a short circuit.

Warning!

To avoid risk of property damage, personal injury or death; follow information in this manual exactly to prevent a fire or explosion.

DANGER!!! ELECTRIC SHOCK HAZARD!!!

To avoid risk of electrical shock, personal injury or death, verify that the appliance has been properly grounded in accordance with local codes or in absence of codes, with the National Electrical Code (NEC). ANSI/NFPA 70- latest edition.

DO NOT lift the appliance by the oven door's handle, as this may damage the door hinges and cause the door to fit incorrectly.

DO NOT lift the appliance by the appliance's control panel.

The unit is heavy and should be handled accordingly. Proper safety equipment such as gloves and adequate manpower of at least two people must be used in moving the appliance to avoid injury and to avoid damage to the unit or the floor. Rings, watches, and any other loose items that may damage the unit or otherwise might become entangled with the unit should be removed.

Hidden surfaces may have sharp edges. Use caution when reaching behind or under appliance.

DO NOT use a hand truck or appliance dolly on the back or front of the unit. Handle from the side only.

Warning!

Disconnect the electrical supply prior to servicing or cleaning.



WARNING:

Cancer and Reproductiv Harm-
www.P65Warnings.ca.gov.

DATA RATING LABEL

The data rating label shows the model and serial number of the range. It is located under the control panel and in the last page of this manual

BEFORE INSTALLATION

- This appliance shall only be installed by an authorized professional.

If the installation requires alterations to the domestic electrical system, call a qualified electrician. The electrician should also check that the socket cable section is suitable for the electricity drawn by the oven.

- This appliance shall be installed in accordance with the manufacturer's installation instructions.
- This appliance must be installed in accordance with the norms & standards of the country where it will be installed.
- The installation of this appliance must conform to local codes and ordinances. In the absence of local codes, Installations must conform to American National Standards.
- Avoid any damage to oven vents. The vents need to be unobstructed and open to provide proper airflow for optimal oven performance.
-

All opening and holes in the wall and floor, back and under the appliance shall be sealed before installation of the appliance.

The installation, adjustments, transformations and maintenance listed in this section must only be performed by qualified technicians (in accordance with applicable legislation). Incorrect installation can cause property damage and injury to people or pets; the manufacturer shall not be held liable in this event. The appliance's automatic regulation or safety devices may only be modified by the manufacturer or a duly authorised technician during the appliance's lifetime.

Ensure all necessary PPE is used when carrying out the installation

ROOM VENTILATION

An exhaust fan may be used with the appliance; in each case it shall be installed in conformity with the appropriate national and local standards. Exhaust hood operation may affect other vented appliances; in each case it shall be installed in conformity with the appropriate national and local standards.

Do not use aerosol sprays in the vicinity of this appliance while it is in operation.

CABINET REQUIREMENT

To prevent possible damage to cabinets and cabinet finishes, use only materials and finishes that will not discolor or delaminate and will withstand temperatures up to 195°F (90°C). Heat resistant adhesive must be used if the product is to be installed in laminated cabinetry. Check with your builder or cabinet supplier to make sure that the materials meet these requirements.

Installation of the appliance must be performed in accordance with the provisions of applicable legislation.

- BE SURE that support for this appliance is perpendicular to the front facing of the wall or cabinet before you perform the installation. The cabinet base must be flat and capable of supporting the weight of the oven when in use.

Minimum Suggested Load on Cabinet Base Board

weight lb	weight kg
480	220

INSTALLING THE OVEN IN A CABINET

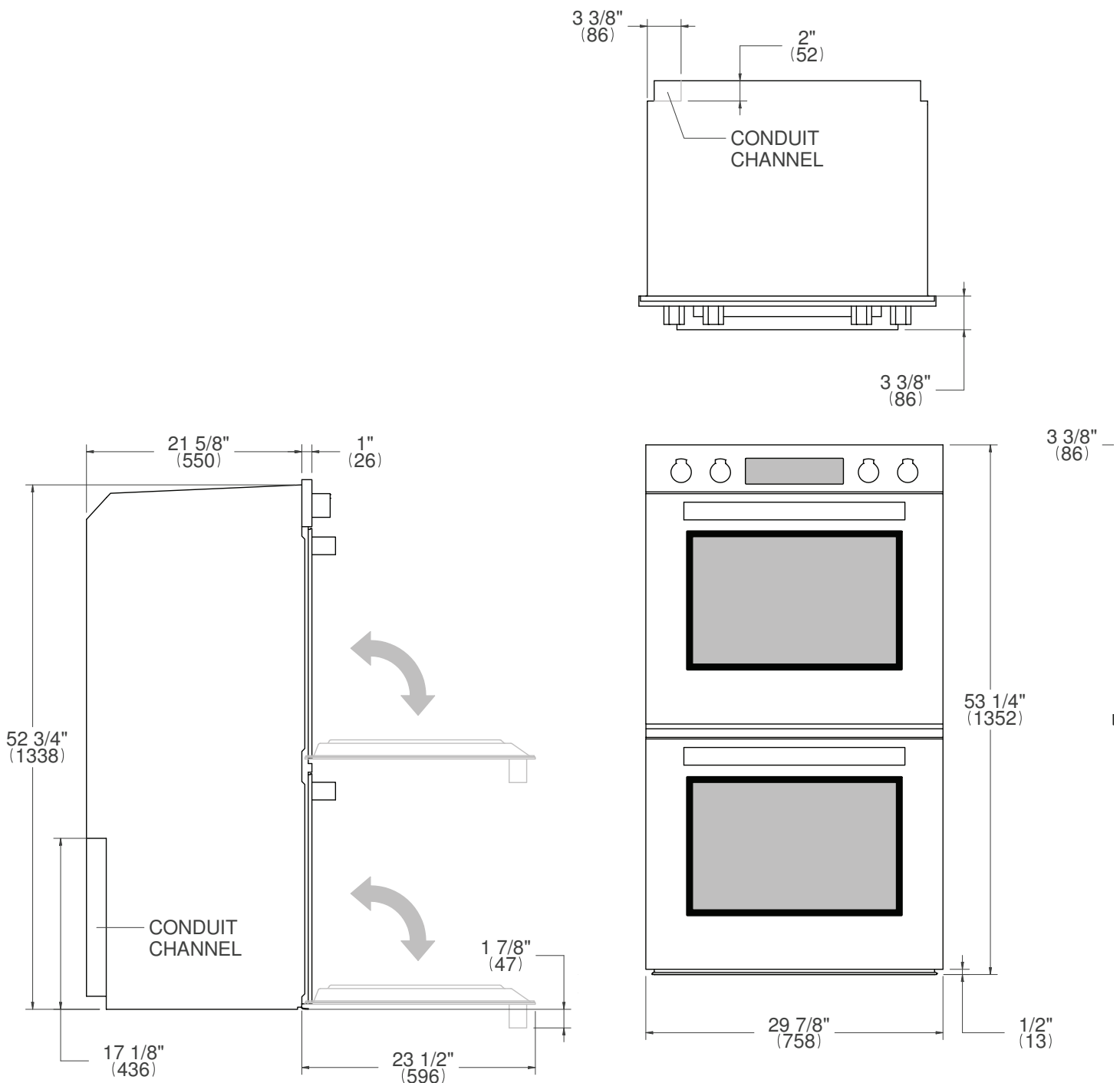
Ensure that the oven is fully present and undamaged after removing all loose parts from their inner and outer packaging. In the event of any uncertainty, do not use the appliance and contact technical support.

Check that the kitchen unit is suitable for installation of the oven, referring to the dimensions given in this guide.

IMPORTANT INFORMATION

Some environmental factors and cooking habits can cause condensation in and around the oven during use. To protect surrounding cabinetry from possible damage caused by frequent or excessive condensation, we recommend moisture-proofing the oven cavity.

SPECIFICATIONS



BEFORE INSTALLATION

INSTALLING THE OVEN IN A TALL APPLIANCE HOUSING

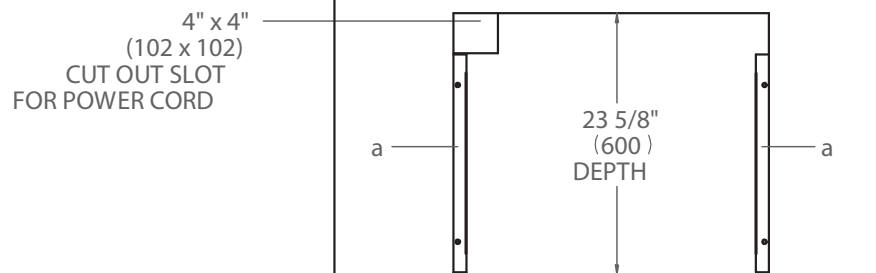
The oven can be installed in a standard or flush application.

Finish the edges of the opening because they may be visible when the door is open.

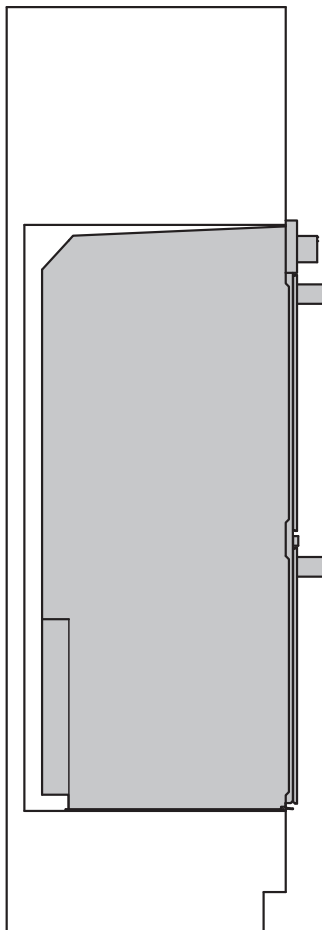
The clearance between the oven and the kitchen units must be enough to ensure sufficient ventilation and air discharge.

Standard installation

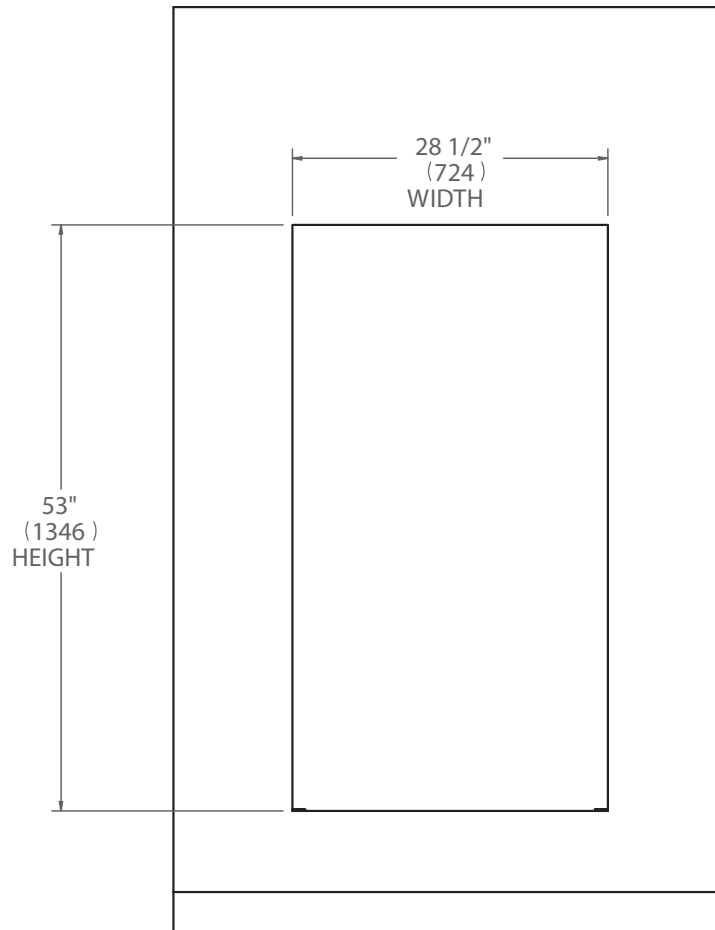
TOP VIEW



SIDE VIEW



FRONT VIEW

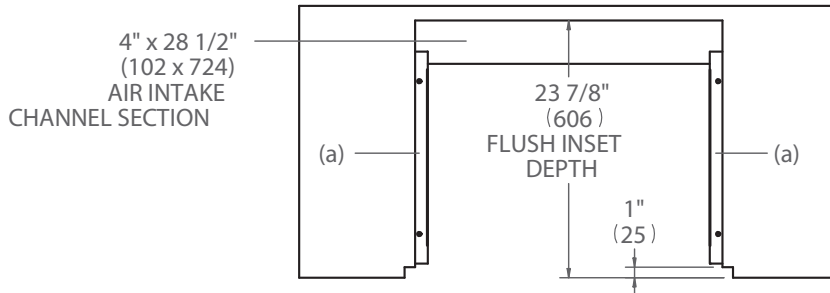


(a) Spacers – Included with appliance

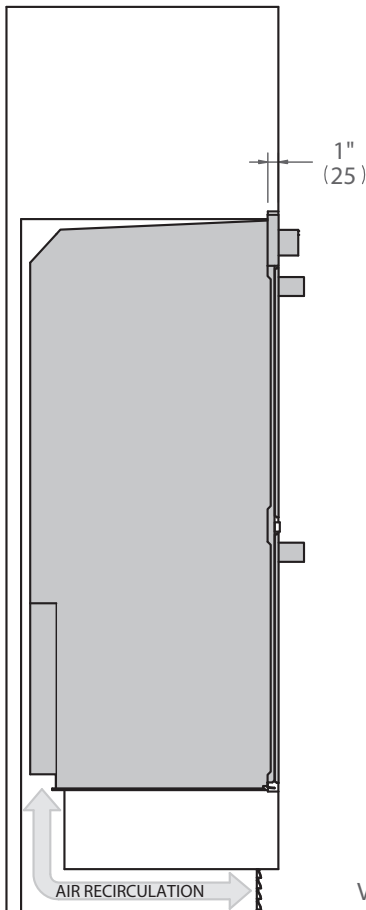
BEFORE INSTALLATION

Flush installation

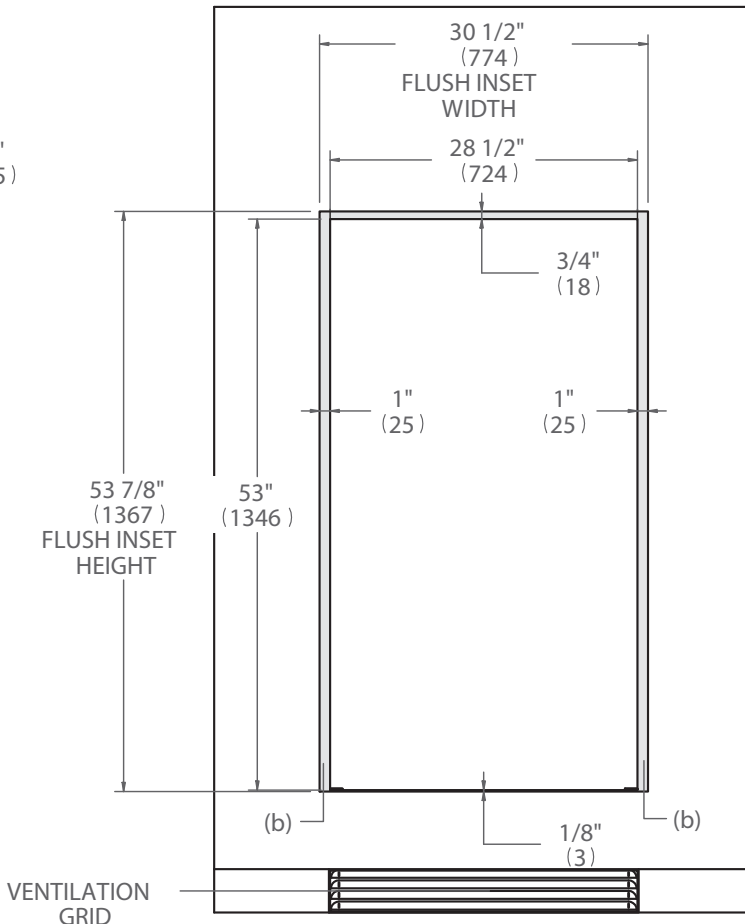
TOP VIEW



SIDE VIEW



FRONT VIEW



- (a) Spacers – Included with appliance
- (b) Visible Area – Match finish to outside cabinet panels

INSTALLATION REQUIREMENTS

ELECTRICAL

A properly-grounded horizontally-mounted electrical receptacle should be installed no higher than 3" (7.6 cm) above the floor, no less than 2" (5 cm) and no more than 8" (20,3 cm) from the left side (facing product).

Check all local code requirements.

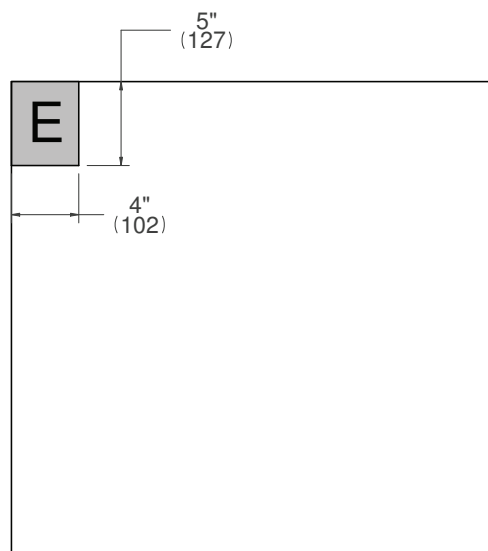
Verify that power is disconnected from the electrical box before proceeding.

If the electrical supply is located in the opening, electrical connection must be made prior to placing the oven in the opening. If the electrical supply is in an adjacent cabinet, the electrical connection can be made after placing the oven in the opening.

The installation must comply with all applicable electrical codes.

Locate the electrical supply flush with the back wall and within the shaded area shown in the illustrations on the following pages. For ease of installation, the electrical supply for the oven can be placed in an adjacent cabinet within reach of the conduit.

- A circuit breaker is recommended.



The electrical junction box may be located above, below to the left or right of the unit within reach of the power cord.

Placement within the opening may be require additional cabinet depth.

ELECTRICAL CONNECTION

Warning!

ELECTRICAL SHOCK HAZARD

Disconnect electrical power at the circuit breaker box or fuse box before installing the appliance.

Provide appropriate ground for the appliance.

Use copper conductors only.

Failure to follow these instructions could result in serious injury or death.

Warning!

Electrical grounding

This appliance is equipped with a 4 ft (1.2 m) flexible metal cable with 4 wires ready for connection to a dedicated 3 pole, 4 wires grounded power supply.

Caution

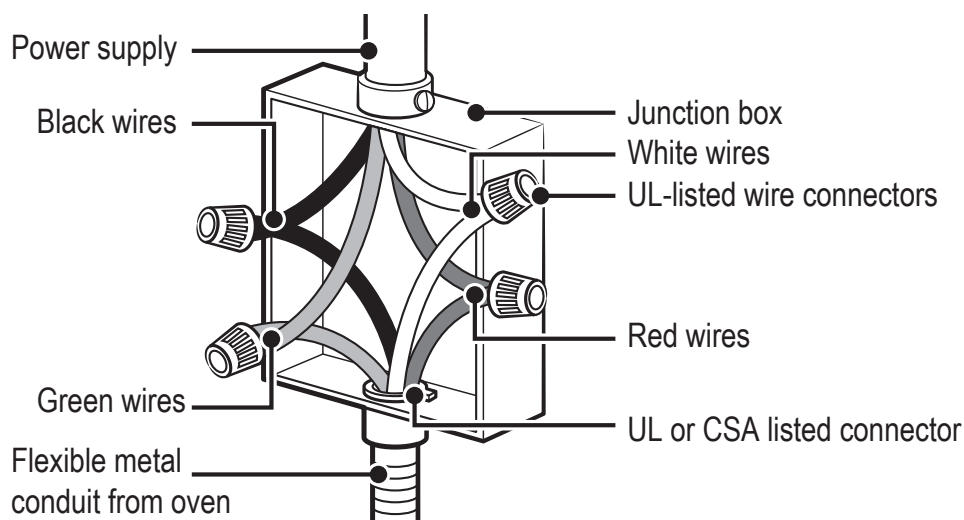
Label all wires prior to disconnecting when servicing controls. Wiring errors can cause improper and dangerous operation.

Verify proper operation after servicing.

The appliance shall be connected to a single phase electric line rated at 120/208Vac or 120/240Vac and 60Hz frequency.

Type	Voltage	Circuit rating	Electrical supply
30" FD	120/208V	8800W 42A	50A
	120/240V	11000W 48A	50A

FOUR-WIRE CONN.RECEPTACLE NEMA 14-50R



Check your local code for which of the options below should be used in grounding the receptacle power supply connections.

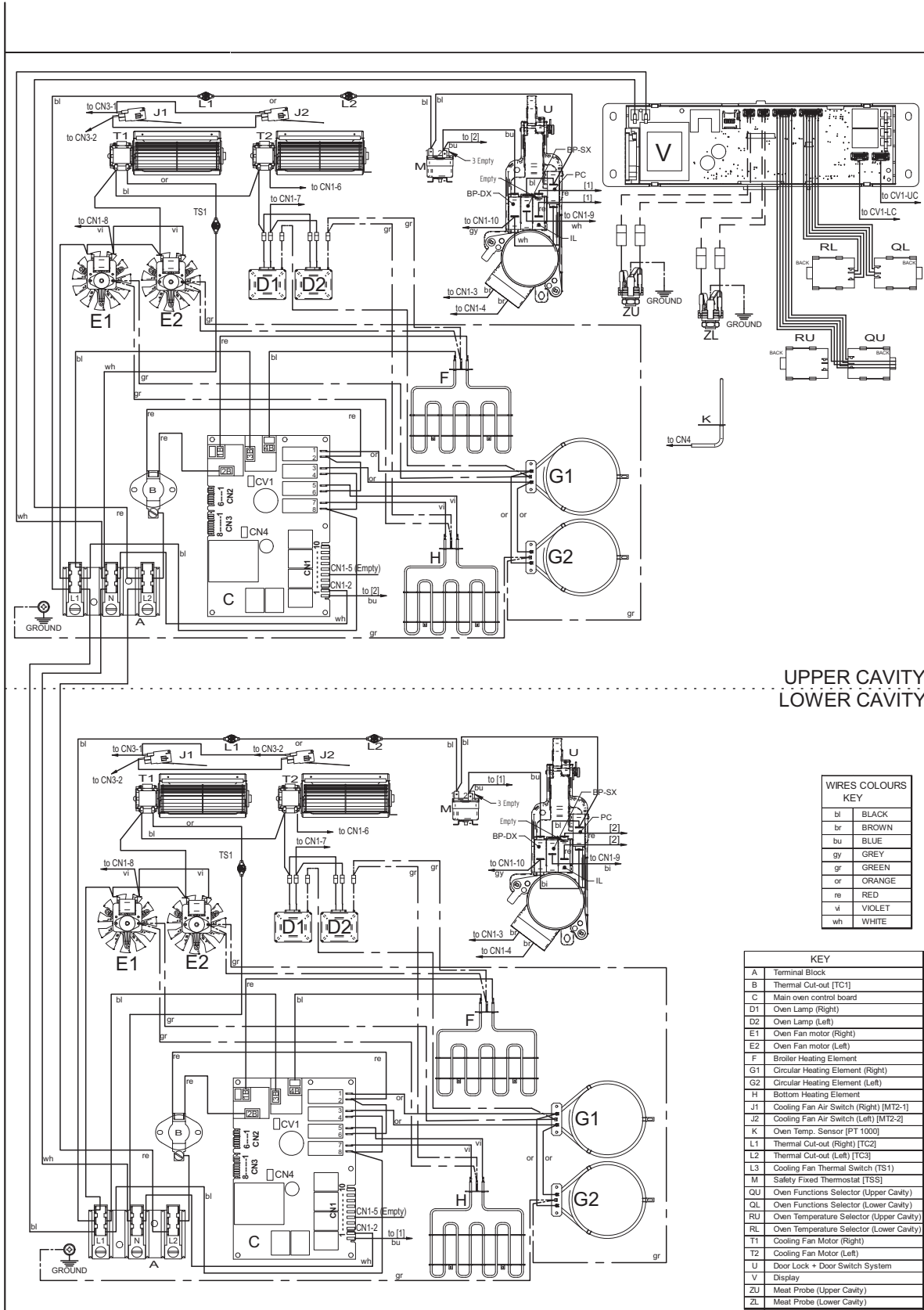
FOUR Wires connection:

- Connect the L1 receptacle terminal to the incoming BLACK electrical supply wire (L1-hot wire)
- Connect the L2 receptacle terminal to the incoming RED electrical supply wire (L2-hot wire)
- Connect the NEUTRAL receptacle terminal to the incoming NEUTRAL (WHITE) electrical supply wire
- Connect the GROUND receptacle terminal to the incoming GROUND (GREEN) electrical supply wire

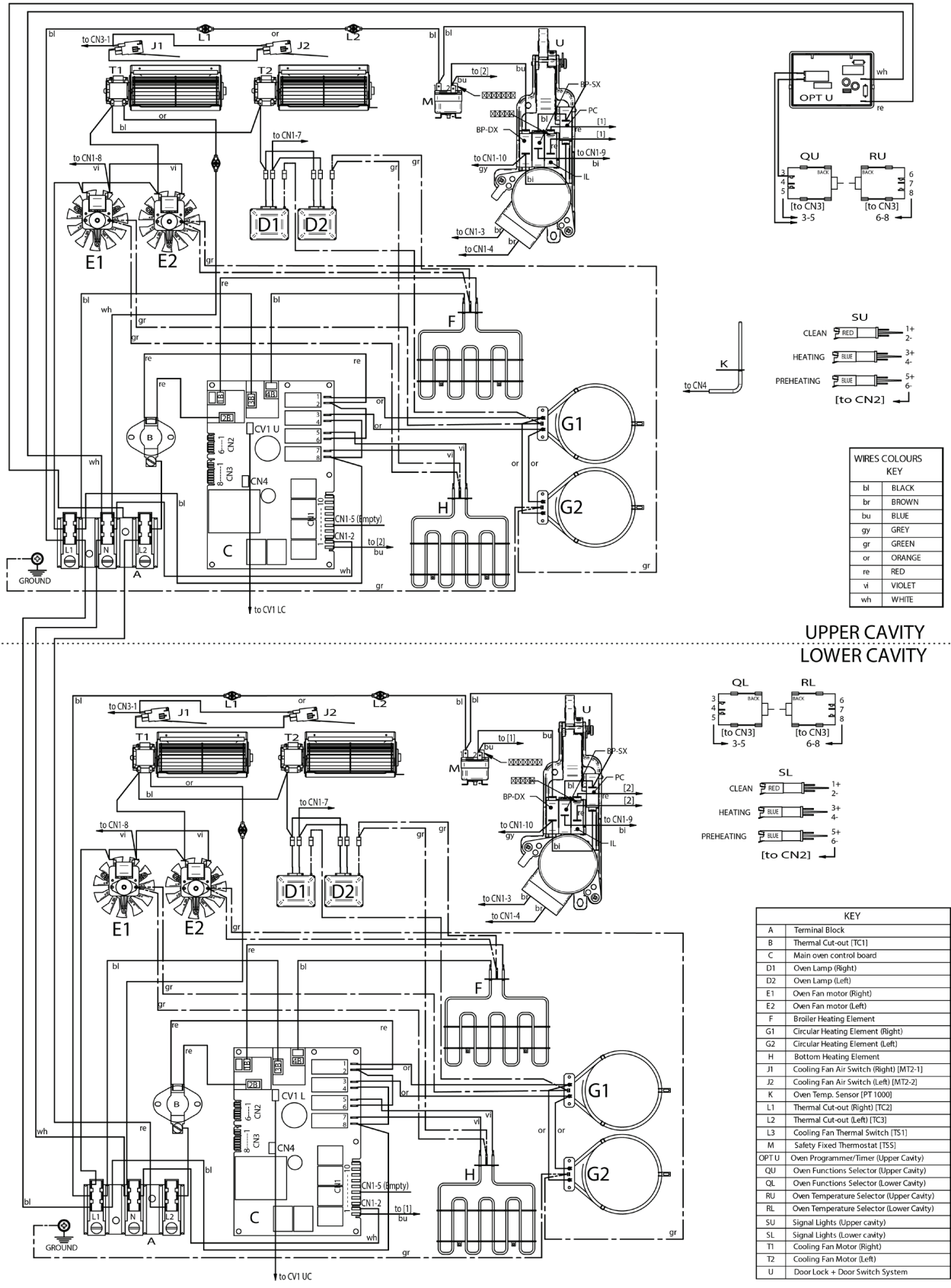
WIRING DIAGRAM

The electric wiring diagrams and schematics are attached behind the range, and should not be removed except by a service technician, then replaced after service.

30" XT



30" XV



WIRES COLOURS KEY

bl	BLACK
br	BROWN
bu	BLUE
gy	GREY
gr	GREEN
or	ORANGE
re	RED
vi	VIOLET
wh	WHITE

UPPER CAVITY
LOWER CAVITY

KEY

A	Terminal Block
B	Thermal Cut-out (TC1)
C	Main oven control board
D1	Oven Lamp (Right)
D2	Oven Lamp (Left)
E1	Oven Fan motor (Right)
E2	Oven Fan motor (Left)
F	Broiler Heating Element
G1	Circular Heating Element (Right)
G2	Circular Heating Element (Left)
H	Bottom Heating Element
J1	Cooling Fan Air Switch (Right) (MT2-1)
J2	Cooling Fan Air Switch (Left) (MT2-2)
K	Oven Temp. Sensor (PT 1000)
L1	Thermal Cut-out (Right) (TC2)
L2	Thermal Cut-out (Left) (TC3)
L3	Cooling Fan Thermal Switch (TS1)
M	Safety Fixed Thermostat (TSS)
OPT U	Oven Programmer/Timer (Upper Cavity)
QU	Oven Functions Selector (Upper Cavity)
QL	Oven Functions Selector (Lower Cavity)
RU	Oven Temperature Selector (Upper Cavity)
RL	Oven Temperature Selector (Lower Cavity)
SU	Signal Lights (Upper cavity)
SL	Signal Lights (Lower cavity)
T1	Cooling Fan Motor (Right)
T2	Cooling Fan Motor (Left)
U	Door Lock + Door Switch System

INSTALLATION

APPLIANCE INSTALLATION

Unpacking the oven

To avoid risk of severe personal injury and damage to the unit and flooring; this appliance requires two or more personnel while handling and moving. Possible use of appliance dollies moving devices is recommended

- Remove all packing materials from the shipping pallet but leave the adhesive-backed foam layer over brushed-metal surfaces to protect it from scratches until the range is installed in its final position.
- Examine the appliance after unpacking it. In the event of transport damage, do not plug it in. Take pictures of the damage and report it immediately to the freight forwarder.
- If the power supply cable is damaged, it must be replaced by the manufacturer, its service agent or similarly qualified person in order to avoid a safety hazard.
- Remove the oven door(s). This will reduce the weight of the appliance.
- The oven racks should be removed to facilitate handling.
- Before moving the appliance, protect the floor to prevent damage.
- Use an appliance dolly to move the oven near the opening. Place the appliance dolly on the side to prevent damage, do not use on front or rear.
- Use the supplied brackets to attach to the cabinet
- Place the oven in the opening and slide into position. To ensure adequate depth for proper installation, the conduit must fit into the recessed area along the rear edge of the oven.
- Lift the oven by the handle installed on the side panel.
- Shield the edge of the cabinet with a tape before insert the oven.
- Check that the oven is correctly aligned with the units.
- Locate the mounting hole in each side trim, and install screws, ensuring that the oven remains centered.
- Cover the screws with the caps.
- Remove and recycle packing materials including the white protective material behind each rack guide mounting location.

objects on the oven door, hanging off the handle, stepping or hitting on the door) can result in damage to the product and /or injuries.

DO NOT remove permanently affixed labels, warnings, or plates from product. This may void the warranty.

- DO NOT install two or more wall ovens single or double side-by-side or stacked on top of the other.

To prevent possible damage to cabinets and cabinet finishes, use only materials and finishes that will not discolor or delaminate and will withstand temperatures up to 195°F (90°C). Heat resistant adhesive must be used if the product is to be installed in laminated cabinetry. Check with your builder or cabinet supplier to make sure that the materials meet these requirements.

The misuse of the oven door (placing heavy

REMOVING THE OVEN DOOR

Prepare the door for removal. Flip up the locking clamps on each door hinge. Slowly shut the door until the protruding clamps stop the movement.

Pull oven door upwards and remove.

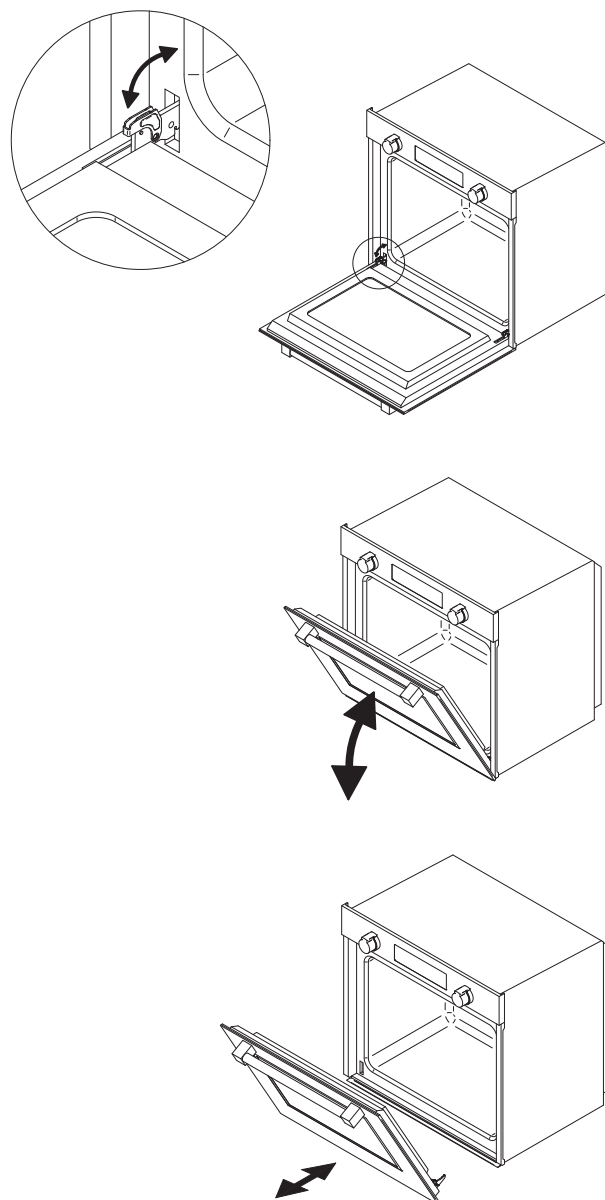
Do not lift or carry the oven door by its handle!
This may damage the hinges.

The oven door is heavy and fragile. Use both hands to remove the oven door. The door front includes glass components. Handle carefully to avoid breaking.

Grasp only the sides of the oven door. Do not grasp the handle as it may swing in your hand and cause damage or injury.

To avoid injury from hinge bracket snapping closed, be sure that both locking levers are securely in place before removing the door.

Do not lay the removed door on sharp or pointed objects as this could break the glass. Lay the door on a flat, smooth surface, positioned so that the door cannot fall over. Use a cloth to protect surfaces.



INSTALLATION CHECKLIST

A qualified installer should carry out the following checks:

Make sure the clearance to cabinet surfaces corresponds to manufacturers guidelines.

Make sure the oven is level and securely fitted to the cabinet.

Check that lower trim is undamaged.

Open the (lower) oven door slowly until it is fully open and check for adequate clearance between the bottom of the door and the lower trim.

Make sure any internal packaging has been removed from the oven cavity.

Make sure all oven vents and openings are clear and free of any obstruction or damage.

Turn the power to the oven on. The display will flash. Set the clock following the instructions.

Turn the oven function to CONVECTION BAKE. The oven should start heating at 300°F temperature. After five minutes, open the oven door: the air inside should feel warm and the convection fan should turn. Turn the oven function dial back to OFF.

Have you demonstrated the basic operation to the customer?

FINAL PREPARATION

- Before using the oven, remove any protective wrap from the stainless steel.
- All stainless steel parts should be wiped with hot, soapy water and with a liquid stainless steel cleanser.
- If buildup occurs, do not use steel wool, abrasive cloths, cleaners, or powders!
- If it is necessary to scrape stainless steel to remove encrusted materials, soak with hot, wet cloths to loosen the material, then use a wood or nylon scraper.
- Do not use a metal knife, spatula, or any other metal tool to scrape stainless steel! Scratches are almost impossible to remove.
- Before using the oven for food preparation, wash the cavity thoroughly with warm soap and water solution to remove film residue and any dust or debris from installation, then rinse and wipe dry.

WARNING

When using the oven for the first time it should be operated for 15-30 minutes at a temperature of about 500°F/260°C (main oven) or 440°F/227°C(auxiliary oven) without cooking anything inside in order to eliminate any moisture and odours from the internal insulation.

BERTAZZONI SERVICE

Bertazzoni is committed to providing the best customer and product service. We have a dedicated team of trained professionals to answer your needs.

If you own a Bertazzoni appliance and need service in the US or Canada please use the following contact information:

e-mail: aftersaleservice@bertazzoni.com

Telephone - Monday through Friday,
7.30am to 7.30pm EST (except US public holidays).

US	866-905-0010
WESTERN CANADA	866-905-0010 (BC,AB,SK,MB)
EASTERN CANADA	800-561-7265 (ON,QC,NL,NB,NS,PE)