



# 1.6 cu. ft. Countertop Microwave

WMC30516H



Fingerprint Resistant Stainless Steel  
WMC30516HZ

## Capacity

Total	1.6 cu. ft.
-------	-------------

## General Features & Properties

Microwave Presets

Microwave Built-In Trim Kit (Optional)

Electronic Touch Controls

Add 30 Seconds Option

Control Lock Mode

1.6 cu. ft. Capacity

Dishwasher-Safe Turntable Plate

## Electrical Details

Amps	15
------	----

Volts	120
-------	-----

## Technical Details

Microwave Type	Countertop
----------------	------------

Lighting Type	Incandescent
---------------	--------------

## Dimensions

Product Dimensions (H x W x D)	13" x 21-3/4" x 17-1/4"
--------------------------------	-------------------------

## Reference Material

[Install Guide](#)

[Use & Care Guide](#)

[Warranty](#)

### Also available in:

- White **WMC30516HW**
- Black **WMC30516HB**
- Stainless Steel **WMC30516HS**
- Black Stainless Steel **WMC30516HV**

## Key Features & Benefits

### Sensor Cooking

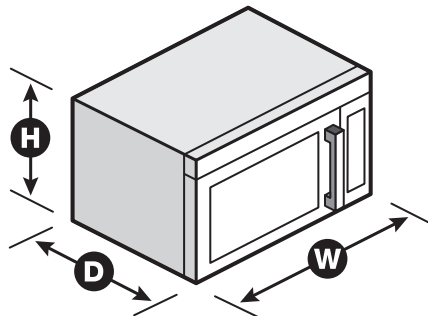
Automatically tracks the cooking progress of your food and adjusts the cook time as needed.

### 1,200-Watt Cooking Power

Get quick and even cooking with 1,200 watts of cooking power.

### Recessed Glass Turntable

Heat larger items like cooking bowls so you can prepare vegetables, party mix or soups in the microwave.



NOTE: Dimensions are for planning purposes only. For complete details, see Installation Instructions packed with product. Specifications subject to change without notice.

®/™ © 2020. All rights reserved. Printed in the U.S.A. D200104XXE. WMC30516HSpecSheetV01.