



1.9 cu. ft. Over-the-Range Microwave

WMH32519H



Fingerprint Resistant Stainless Steel
WMH32519HZ

Also available in:

- White **WMH32519HW**
- Black **WMH32519HB**
- Biscuit **WMH32519HT**
- Stainless Steel **WMH32519HS**
- Black Stainless Steel **WMH32519HV**

Capacity

Total 1.9 cu. ft.

General Features & Properties

Turntable On/Off Option

3-Speed, 300 CFM Motor Class

Fingerprint Resistant

Dishwasher-Safe Turntable Plate

Microwave Presets

Add 30 Seconds Option

Electronic Touch Controls

Adjustable Cooktop Lighting

Hidden Vent

Electrical Details

Amps 16

Volts 120

Technical Details

Microwave Type Over-the-Range

CFMs 300

Lighting Type Incandescent

Number of Speeds 3

Venting Type Updraft

Dimensions

Product Dimensions (H x W x D) 17-1/8" x 29-15/16" x 15-9/16"

Depth with Door Open 90° 39-3/8"

Cutout Dimensions (W x D) 30" x 12" minimum

Reference Material

[Dimension Guide](#)

[Install Guide](#)

[Use & Care Guide](#)

[Warranty](#)

Key Features & Benefits

CleanRelease® Non-Stick Interior

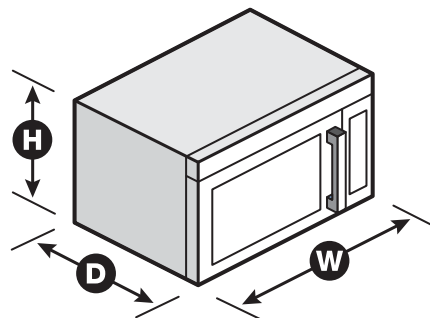
Quickly clean up spills with a damp wipe, no special cleaning solutions required.

Steam Cooking

Clear up cooktop space by steaming foods like rice, vegetables and fish right in the microwave. Steam accessory available separately.

Sensor Cooking

Automatically tracks the cooking progress of your food and adjusts the cook time as needed.



NOTE: Dimensions are for planning purposes only. For complete details, see Installation Instructions packed with product. Specifications subject to change without notice.

®/™ © 2020. All rights reserved. Printed in the U.S.A. D200104XXE. WMH32519HSpecSheetV01.