

# RF26J7510SR

SAMSUNG

26 cu. ft. Large Capacity 3-Door French Door Refrigerator with External Water & Ice Dispenser



## Signature Features

### SpaceMax™ Technology

Creates more room inside without increasing the outside dimensions or compromising energy efficiency.

### Fingerprint Resistant Finish

A finish that withstands everyday smudges, so you spend less time cleaning.

### Twin Cooling Plus®

Maintains a higher humidity level, to keep fruits and vegetables fresher longer.

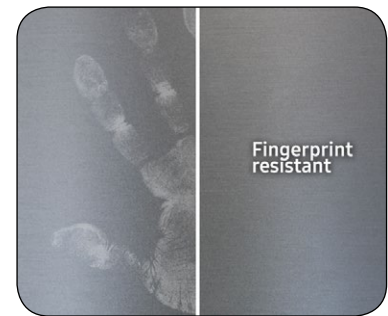
## Available Color



Fingerprint Resistant  
Stainless Steel (shown)



SpaceMax™ Technology



Fingerprint Resistant Finish

## Design

- Large Capacity of 26 cu. ft.
- SpaceMax™ Technology
- Fingerprint Resistant Finish
- LED Display with Water and Ice Dispenser
- High Efficiency LED Lighting

## Convenience

- EZ-Open Handle™
- Full-Width Internal CoolSelect Pantry™ Drawer
- Adjustable Spill-Proof Shelves
- Door Alarm
- Water Filter Indicator

## Performance

- Twin Cooling Plus®
- Ice Max Ice Maker:  
Produces up to 10 lbs of ice daily and stores 4.2 lbs

## Rating



ENERGY STAR® Rated:  
698 kWh/yr

# RF26J7510SR

SAMSUNG

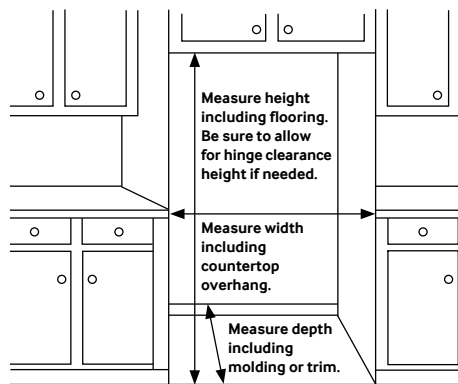
## 26 cu. ft. Large Capacity 3-Door French Door Refrigerator with External Water & Ice Dispenser

### Installation Specifications

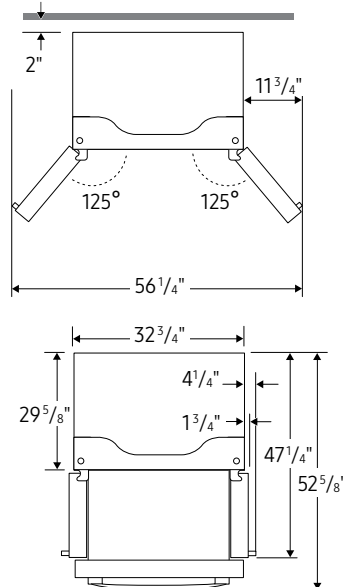
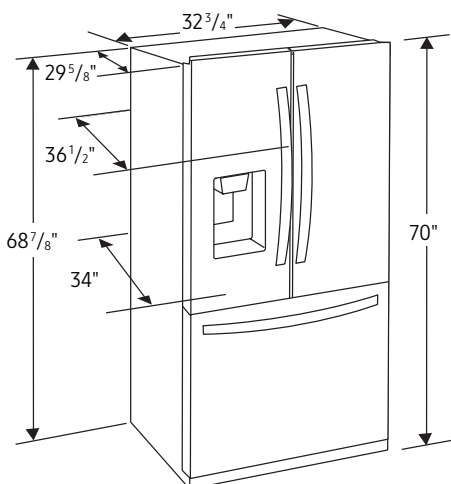
1. Measure the height, width and depth of the opening, making sure to include baseboards, molding tile, countertop overhang, etc. Check to be sure there is enough room to open the door (consider walls, islands or other obstacles when measuring).
2. Refer to illustration below to determine dimensions.
3. Allow 2.5" of clearance on hinge side of refrigerator when installing next to a wall where handle may make contact.
4. Allow 1" minimum clearance at rear for proper air circulation and water/electrical connections. Allow a 3/8" minimum clearance at sides and top for ease of installation.
5. Ensure each door and entryway in the home is wide enough for the refrigerator to be moved through easily.

For optimal usage and to be able to open refrigerator doors completely, do not install next to a wall.

Please note: The following dimension and cutout information is for planning purposes only. For complete installation details, consult manual packed with product, or download manual online at [samsung.com](http://samsung.com).



### Dimensions



**Total Capacity: 25.5 cu. ft.**

**Refrigerator: 17.8 cu. ft.**

- External Filtered Water and Ice Dispenser
  - Crushed or Cubed Ice
- CoolSelect Pantry™ Drawer
- 5 Tempered Glass Spill-Proof Shelves
- 2 Humidity-Controlled Crispers
- 6 Door Bins
  - Right Door: 3 Gallon Bins
  - Left Door: 3 Regular Bins
- Adjustable Shelves for Tall, Oversized Items
- High Efficiency LED Lighting

**Freezer: 7.7 cu. ft.**

- EZ-Open Handle™
- 1 Large Opaque Bin with 1 Divider
- Auto Pull-Out Upper Drawer
- High Efficiency LED Lighting

### Accessories

Water Filter: HAF-CIN/EXP (DA29-00020B)

### Warranty

One (1) Year Parts and Labor on Refrigerator  
Five (5) Years Parts and Labor on Sealed Refrigeration System Only\*  
Ten (10) Years Parts and Five (5) Years Labor on Digital Inverter Compressor

\*Compressor, evaporator, condenser, drier and connecting tubing.

### Product Dimensions & Weight

Dimensions (WxHxD with hinges, handles and doors):  
32 3/4" x 70" x 36 1/2"

Dimensions (WxHxD without hinges and door):  
32 3/4" x 68 7/8" x 29 5/8"

Dimensions (WxHxD with hinge and door, no handle):  
32 3/4" x 70" x 34"

Weight: 301 lbs

### Shipping Dimensions & Weight (WxHxD)

Dimensions: 34 5/8" x 77 3/8" x 36 3/16"

Weight: 313 lbs

### Color

Fingerprint Resistant  
Stainless Steel

### Model #

RF26J7510SR

### UPC Code

887276455150