

24" GAS RANGE



The Professional Plus series is directly inspired by the kitchens of the world's greatest chefs, borrowing materials used in their set-ups. Uncompromised in its design, it's built for the most demanding and skilled chef.

Fuel Type.....**Gas**
 Gas Type.....**Liquid Propane or Natural Gas**

OVEN COLORS



White



Stainless Steel

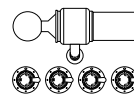


Glossy Black



Graphite Matte

TRIM*



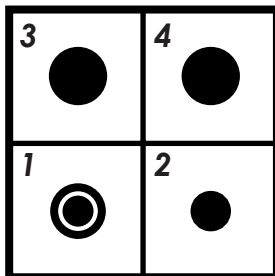
Chrome

**Trim colors are available for every oven color.*

FEATURES

Cooktop

Cooktop Surface.....Deep Recessed
 Number of Burners/Elements.....4
 Gas Heat Configuration.....Sealed Burners
 Burner/ Element Fuel.....Gas
 Grate Type.....Cast Iron
 Cooktop Control Type.....Knobs
 Cooktop Control Location.....Front
 Burner Output No. 1.....15,500 BTU / Dual Burner
 Burner Output No. 2.....7,000 BTU / Small Burner
 Burner Output No. 3.....10,500 BTU / Large Burner
 Burner Output No. 4.....10,500 BTU / Large Burner



Oven

Oven Fuel.....Gas
 Oven Door Type.....Triple Layer Glass Door
 Oven Type.....Convection
 Oven Cleaning Type.....Self-Clean Mode*
 Oven Control Type.....Knobs
 Oven Control Place.....Front
 Interior Oven Light(s).....2
 Interior Oven Light Type.....LED
 Number of Rack Placement.....5
 Soft Close Door.....No
 Display Type.....LED
 Broiler Type.....Gas
 Child Safety Lock.....No
 Timer.....Yes
 Built-in Thermostat.....Yes

**Protective Panel is required (sold separately)*

INCLUDED

Range Hood.....No	Oven Racks.....2
Power Cord.....Yes	Oven Trays.....1
Grate.....Yes	Rotisserie.....0
Griddle.....No	Gas Regulator.....1
Legs.....4	Manual.....Yes
Backsplash.....1	
Conversion Kit.....Yes	

POWER

Voltage.....220 v
 Amperage.....30 amps
 Hertz.....60 (Hz)
 Power Cord Length.....45 11/16" / 116 cm
 Power Cord Type.....Plug in

RECOMMENDED ACCESSORIES

Toe Kick.....APZ60140*	Steam Cooker Basins.....G00202
Wok Ring.....A09234	Pizza Plate.....A41800

MISCELLANEOUS

Warranty Length.....2 years
 Warranty Type.....Limited
 Actual Weight.....187 lbs / 85 kg
 Product Material.....Stainless Steel

Available in all colors.

DIMENSIONS

RANGE

Range Width.....	23 10/16" / 60 cm
Range Height without legs.....	27 15/16" / 71 cm
Range Min. Height with legs.....	34 1/16" / 86.5 cm
Range Max Height with legs.....	38" / 96.5 cm
Range Depth.....	21 10/16" / 55 cm
Backsplash Width.....	23 10/16" / 60 cm
Backsplash Height.....	5 14/16" / 15 cm
Backsplash Depth.....	11 1/16" / 1.7 cm
Backsplash Lip.....	11 1/16" / 1.7 cm
Top Handle Length.....	20 14/16" / 53 cm
Main Oven Handle Length.....	20 14/16" / 53 cm
Top Handle Depth over Range.....	2 6/16" / 6 cm
Oven Handle Depth over Range.....	2 6/16" / 6 cm
Power from bottom.....	9 1/16" / 23 cm
Power from left side.....	6 11/16" / 17 cm
Gas connector from top.....	3 4/16" / 9 cm
Gas connector from right side.....	8 11/16" / 22 cm

COOKTOP

Cooktop Width.....	23 10/16" / 60 cm
Cooktop Depth.....	23 10/16" / 60 cm
Cooktop Height.....	1 9/16" / 4 cm
Cooktop Front Lip Depth over Range.....	9/16" / 1.5 cm
Cooktop Back Lip Depth over Range.....	1 6/16" / 3.5 cm

OVEN

Oven Capacity.....	2.44 cu. ft.
Oven Depth with Door Open 90°.....	15 6/16" / 39 cm
Oven Interior Width (Actual).....	17 5/16" / 44 cm
Oven Interior Height (Actual).....	10 7/16" / 26.5 cm
Oven Interior Depth (Actual).....	17 5/16" / 44 cm
Oven Interior Width (Usable).....	15 9/16" / 39.5 cm
Oven Interior Height (Usable).....	10 7/16" / 26.5 cm
Oven Interior Depth (Usable).....	17 5/16" / 44 cm
Height between Rack Plates.....	1 9/16" / 4 cm
Height between lowest & highest rack.....	5 14/16" / 15 cm

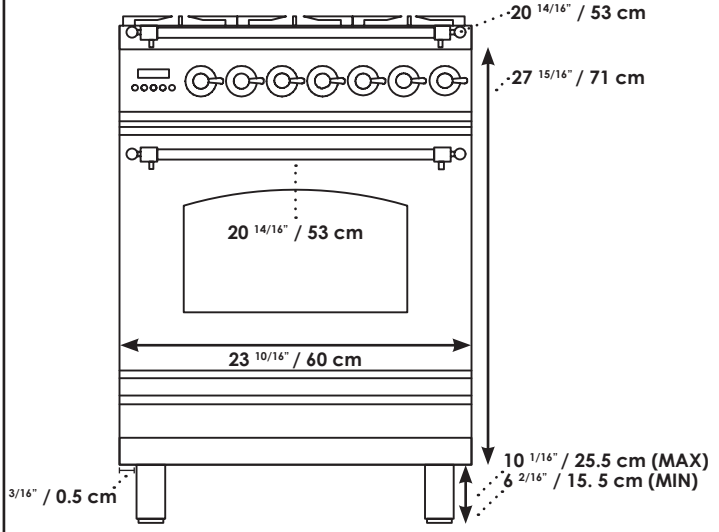
STORAGE

Type.....	Storage
Width.....	17 15/16" / 45.5 cm
Height.....	1 15/16" / 5 cm
Depth.....	16 2/16" / 41 cm

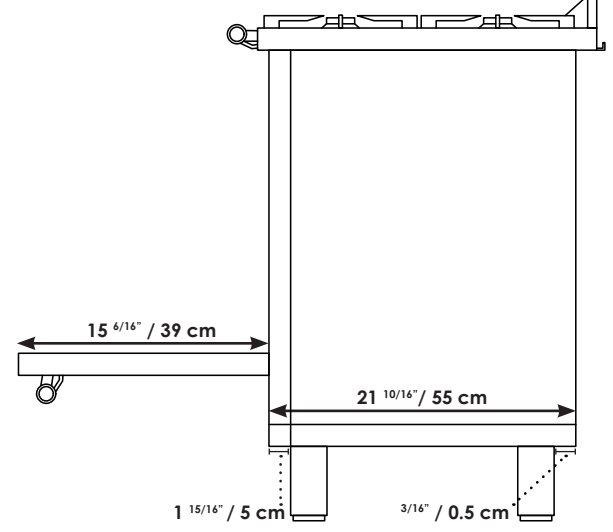
LEGS

Range Leg Type.....	Cylinder
Range Leg Number.....	4
Adjustable Range Legs.....	Yes
Levelable Range Legs.....	Yes
Range Leg Min. Height.....	6 2/16" / 15.5 cm
Range Leg Max. Height.....	10 1/16" / 25.5 cm
Space Between Leg & Range (Side).....	3/16" / 0.5 cm
Space Between Leg & Range (Front).....	1 15/16" / 5 cm
Space Between Leg & Range (Back).....	3/16" / 0.5 cm

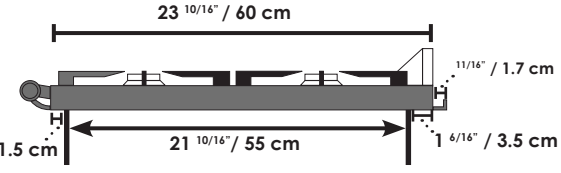
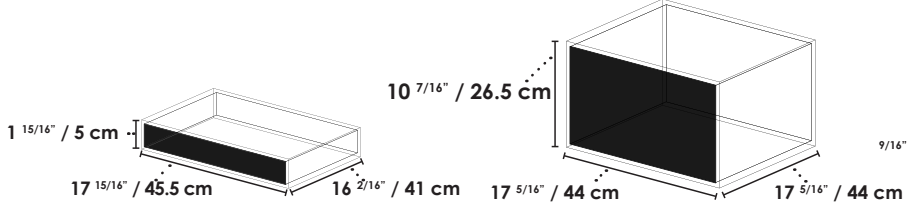
RANGE FRONT



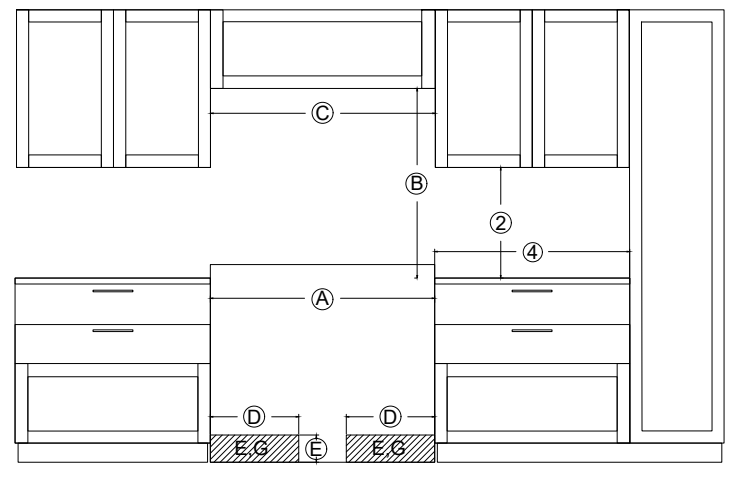
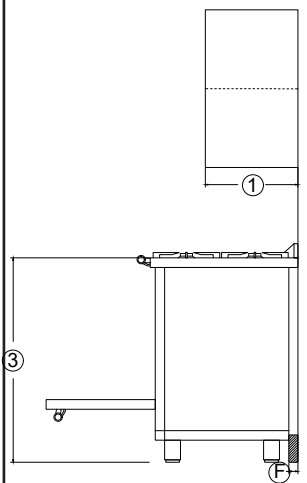
RANGE SIDE



Oven Capacity: 2.44 cu. ft.*



*Usable space differs from Actual space due to the rack placements and rotisserie.
*Oven Capacity's cubic feet is manufacturer's measurement prior to installation of broiler, oven racks, and convection fan.



THE SHADED AREA REPRESENTS THE INSTALLATION AREA FOR THE CONNECTIONS
E ; ELECTRIC CONNECTION
G ; GAS

Position	Dimensions	Description
1	13" (330 mm)	Maximum depth of top cabinet
2	18" (547 mm)	Minimum distance to bottom edge of top cabinet
3	35 1/2"-37" (901-940 mm)	Distance from the floor to cooktop surface
4	12"	Minimum distance from cooktop surface
A	23 10/16" (60 cm)	Width of cabinet opening
B	30" (762mm)	Minimum distance between the top of the cooking area and bottom of an unprotected combustible surface
C	23 10/16" (60 cm)	Width of the hood area
D	Approx. 10 13/16" (274mm)	Maximum connection with right and left
E	Approx. 4 1/8" (115mm)	Maximum connection height
F	Approx. 2 13/16" (72mm)	Maximum connection depth

