

# JGSS86SP

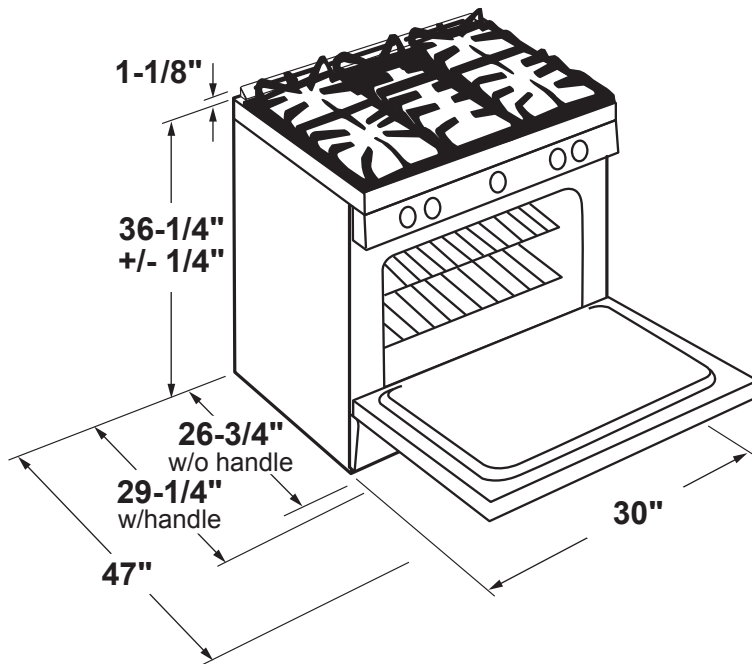
## GE® 30" Slide-In Front Control Gas Double Oven Range

**NOTE:** Door handle protrudes 3" from door face. Cabinets and drawers on adjacent 45° and 90° walls should be placed to avoid interference with the handle.

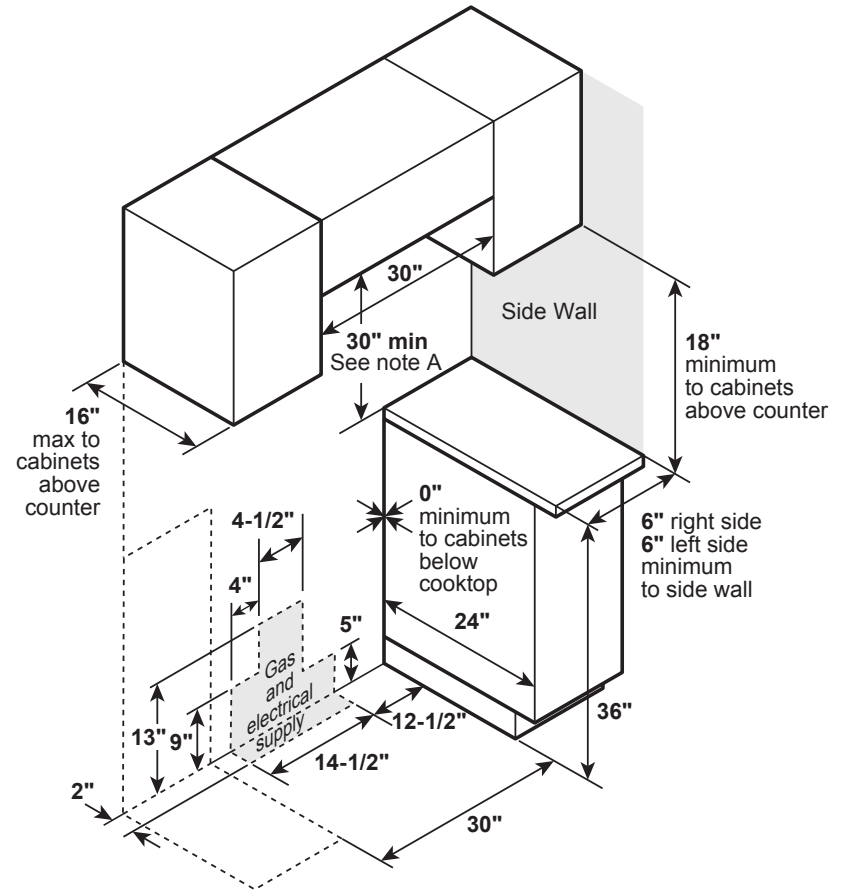
**NOTE:** Cabinets installed adjacent to slide-in ranges must have an adhesion spec of at least 194° temperature rating.

**INSTALLATION INFORMATION:** Before installing, consult installation instructions packed with product for current dimensional data.

For all installations, install the required rear trim to back of range with 4 screws provided.



### GAS PIPE AND ELECTRICAL OUTLET LOCATIONS



Note A: 30" Minimum to bare cabinet, see installation instructions heights less than 30"



For answers to your Monogram, GE Café™, GE Profile™ or GE Appliances product questions, visit our website at [geappliances.com](http://geappliances.com) or call GE Answer Center® Service, 800.626.2000.



All GE ranges are equipped with an Anti-Tip device. The installation of this device is an important, required step in the installation of the range.

# JGSS86SP

## GE® 30" Slide-In Front Control Gas Double Oven Range

### FEATURES AND BENEFITS

**Fit Guarantee** – This gas range will fit your existing 30" cut-out, or GE Appliances will help pay for modifications up to \$300.

**Edge-to-Edge Cooktop** – Continuous, edge-to-edge cooktop give you a large cooking space and can handle any cookware.

**Powerful Burner Options** – Cook meals of all sizes thanks to one 18,000-BTU burner for larger cookware and one 15,000-BTU burner for medium-sized pots and pans.

**Integrated Griddle** – This integrated non-stick griddle leads the industry in size and quality, so you can cook a lot of food at once.

**Center Oval Burner** – This center oval burner gives you a fifth burner and the perfect place to use griddles or odd-size cookware.

**Steam Clean** – A steam cleaning option cleans the oven cavity in a 30-minute cycle with less odor and heat.

**In-Oven Broil** – An in-oven broiler makes broiler cooking hassle-free.

**Large Capacity Double Oven** – Cook an entire meal at once with a 6.7 cubic foot total capacity double oven which provides enough room for multiple dishes.

**True Convection** – Enjoy consistent baking thanks to an advanced convection system that pairs a third heating element with a rear fan for a high level of precision.

Model JGSS86SPSS – Stainless Steel



Visit [geappliances.com](http://geappliances.com) for more info

