

# SOFIA PROFESSIONAL 48"

48" ALL GAS PROFESSIONAL RANGE



CODE ID



**F6PGR486GS2**



- Heavy Duty Grates
- Continuous Grate Surface
- Dual Crescendo Burner
- Trilaminar Stainless Steel Griddle
- Dual Convection (main oven)
- Convection (accessory oven)
- Soft Closing Door
- Nova Broiler System
- Multi-level cooking
- 1 Telescopic Rack
- Cool Touch Door
- Digital Controls

## COLOR KIT

	STAINLESS STEEL
	MATTE BLACK RAL 9004
	GLOSSY BLACK RAL 9004
	GLOSSY RED RAL 3003
	GLOSSY WHITE RAL 9016
	MATTE WHITE RAL 9016
	MATTE GREY RAL 9007

## OPTIONAL ACCESSORIES

PDRKIT48 ...	Colour kit
FMWOK	Wok ring
FMSIM	Simmer plate
F6BG48BCI	Island trim
F6BG48STD	Standard trim
F6BG48HBT	High back trim
FMTRP30	Griddle
FMTRP18	Telescopic rack

## COOKING SURFACE

3 Heavy Duty, continuous cast iron grates  
Trilaminar Stainless Steel Griddle with  
Tubular Gas Burner  
11,500 BTU high / 2,000 BTU low  
Matte finish porcelain burner bowl  
6 Dual-Flame Crescendo Burners  
2 X 20,000 BTU max (NG)  
4 X 18,000 BTU max (NG)  
Natural Gas (LP convertible)

## OVENS

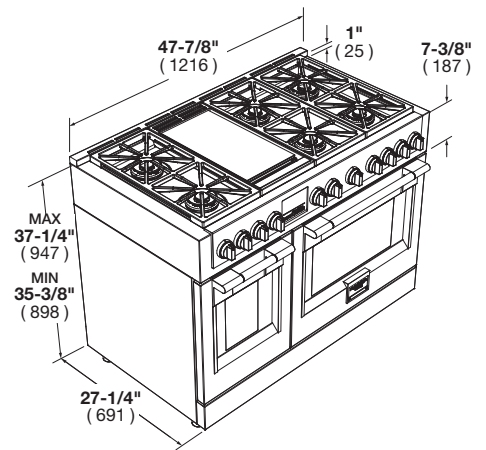
Dual Convection in main oven and  
Convection in accessory oven  
Black Porcelain enamel interior  
Cool to the touch, soft closing door  
Extra-large baking cavity and viewing area  
3 Halogen lights on main oven  
2 Halogen light on convenience oven  
Gross capacity 4.4 cu. ft. and 2.7 cu. ft.  
2 chromed racks  
1 telescopic rack per oven

## OVEN FUNCTIONS

Bake  
Broil  
Convection  
True Convection  
Sabbath Mode

# SOFIA

48" ALL GAS PROFESSIONAL RANGE



CODE ID	F6PGR486GS2 - 48" ALL GAS PROFESSIONAL RANGE			
Series and Finish	600 Series - Professional Design - Stainless Steel			
<b>CONTROL PANEL</b>				
Control Type	11 Heavy Duty Knobs			
Oven Programming	Electronic with 6 Touch Keys			
Display: Clock - Temperature - Function	English language - White LED			
<b>COOKTOP</b>				
Type	GAS (NG or LP)			
Cooking Surface	Matte Black Enamel			
<b>GAS COOKTOP FEATURES</b>				
	Electric Re-ignition system	Dual Crown Burners (Brass or Alluminum)		
	Flame-out sensing	Griddle (flat or with rack)		
	Top Mount Injectors	Pressure Regulator		
	L.P. Conversion Kit	3 Heavy Duty Cast Iron Grates		
Cooking Zones	6 Burner + Griddle			
Burners types	All Dual Flame/Simmer Burner			
Front-L/Front-R - Pwr (Max/Min) G20-5" / G31-10"	20000 (BTU/h) - 5850W / 750 (BTU/h) - 220W	15000 (BTU/h) - 4400W / 750 (BTU/h) - 220W		
Rear-L/Front Center "Right"/Rear Center "Right"/Rear-R - Power (Max/Min) G20 - 5" / G31 - 10"	18000 (BTU/h) - 5300W / 750 (BTU/h) - 220W	15000 (BTU/h) - 4400W / 750 (BTU/h) - 220W		
Griddle Burner (Center "Left") Power (Max/Min) G20 - 5" / G31 - 10"	Thermostat Control Griddle Burner - 11500 (BTU/h) - 3370W / 2000 (BTU/h) - 590W			
<b>OVEN</b>	18" (Accessory Oven)		30" (Main Oven)	
Type	Multifunction with Single Fan		Multifunction with Dual Convection	
Temperature Regulation	Glow wire		Electronic probe with glow wire	
<b>OVEN FUNCTIONS</b>				
	Down Bake	Broil	Down Bake	Broil "Super Nova"
	Dehydrate	Convection Roast	Dehydrate	Convection Roast
			Pizza (Lower Convection)	
<b>ELECTRIC OVEN FEATURES</b>				
	Electric Flame Ignition	Flame out sensing	Electric Flame Ignition	Flame out sensing
	Gas safety devices	12 Hour Clock Formats	Gas safety devices	Timing Cooking Functions
	L.P. Conversion Kit		L.P.: Conversion Kit	12 Hour Clock Formats
			Sabbath Mode	Pizza Function
<b>OVEN DOOR(S)</b>				
Oven Glass Window	Deep Embossed Window - Soft Closing System		Deep Embossed Window - Soft Closing System	
Door Cooling System	4 Pane Heat Resistant Glasses		4 Pane Heat Resistant Glasses	
Door Hinges - Soft-closing System	Heavy Duty Steady Tilt		Heavy Duty Steady Tilt	
Handle Style	Stainless Steel Tube Ø30mm, Metal terminals		Stainless Steel Tube Ø30mm, Metal terminals	
<b>OVEN CAVITY</b>				
Gross Capacity (cbft)	2.7		4.4	
Usable Capacity (cbft)	2.4		4.1	
Cavity Enamel Colour	Black		Black	
Rack Positions	6		6	
Oven Lights	2x20W Halogen		3x20W Halogen	
<b>BROIL BURNER</b>				
Power Natural Gas	8000 (BTU/h) - 2300W		14000 (BTU/h) - 4102W	
Power Propane	8000 (BTU/h) - 2300W		13000 (BTU/h) - 3800W	
<b>BAKE BURNER</b>				
Power Natural Gas	9500 (BTU/h) - 2800W		18000 (BTU/h) - 5300W	
Power Propane	9500 (BTU/h) - 2800W		16000 (BTU/h) - 4700	
<b>OVEN ACCESSORIES</b>				
Chromed Racks	2		2	
Enameled Grill set ( basin + anti splash )	-		1	
Telescopic Chromed Rack	1		1	
<b>DIMENSIONS/WEIGHT</b>				
Overall dim - Width	47 - 3/4" (1216 mm)			
Overall dim - Height (min - max)	35 3/8" (898mm) / 37 1/4" (947mm)			
Overall dim - Depth	29 - 3/4" (756 mm)			
<b>POWER / RATINGS (208/240 V, 60 HZ)</b>				
kW / Amps rating at 120-240V, 60Hz	300W - 2.5A			
Cable + Plug	Nema 5-15P			
<b>INSTRUCTIONS FOR USE</b>				
Use & Care Manual / Installation Manual	English / French / Spanish			