

True RESIDENTIAL UNDERCOUNTER FREEZERS

24 Inch Undercounter Freezers

Adding even more flexibility to your space, True Undercounter Freezers provide a way to store your frozen items where you need them. Both door and drawer models are UL-rated for outdoor use making these units the ideal addition to your home, both indoor and out.

24 Inch Undercounter Freezers (Right-Hinged Shown on Door Models)



Stainless Steel

TUF-24-R/L-SS-B



Overlay Panel

TUF-24-R/L-OP-B



Stainless Steel

TUF-24D-SS-B



Overlay Panel

TUF-24D-OP-B

EXCEPTIONAL FEATURES

Industry exclusive, 300-series stainless steel interior and exterior.

4.2 Cubic capacity.

Zero-clearance hinging allows for integrated installation.

Patented TruLumina® LED lighting gently illuminates your product and allows you to choose from 14 different color options with the push of a button.

True Precision Control® with steel touch technology and readout provides digital accuracy.

Freezer door model offers 2 adjustable, durable, polished stainless steel shelves.

Freezer drawer model offers exclusive True-Glide soft-close feature.

Temperature as low as -4°F.

UL rated for outdoor use.

Frost free.

NOTE: Overlay models have 300-series stainless steel interiors and black vinyl coated steel exteriors.

OPTIONAL FINISHES

FINISH	MODEL
UNDERCOUNTER FREEZER	
Stainless solid door right-hinged	TUF-24-R-SS-B
Stainless solid door left-hinged	TUF-24-L-SS-B
Overlay solid right-hinged	TUF-24-R-OP-B
Overlay solid left-hinged	TUF-24-L-OP-B
UNDERCOUNTER FREEZER DRAWERS	
Stainless solid drawer	TUF-24D-SS-B
Overlay solid drawer	TUF-24D-OP-B

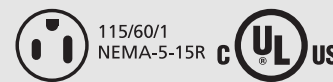
ELECTRICAL SPECIFICATIONS

Voltage: 115/60/1

Amps: 1.8

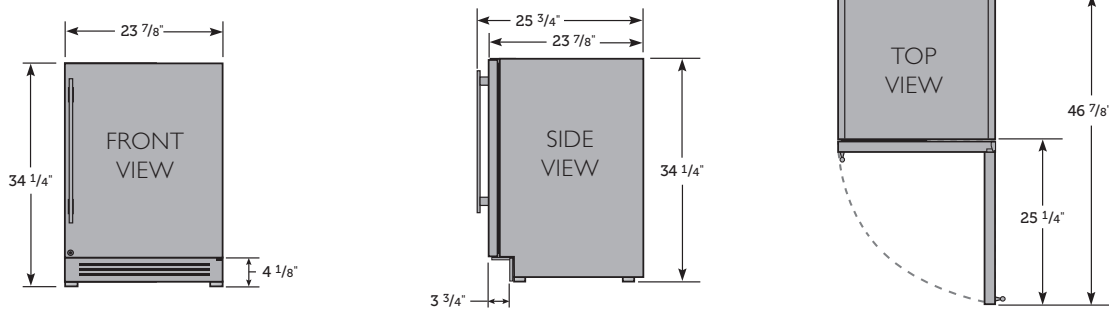
Power Cord Length: 8'

Annual kWh Consumption: 385

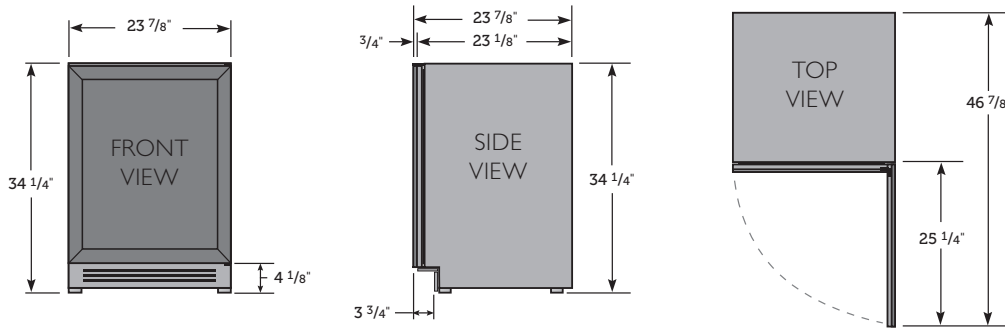


PLAN VIEWS

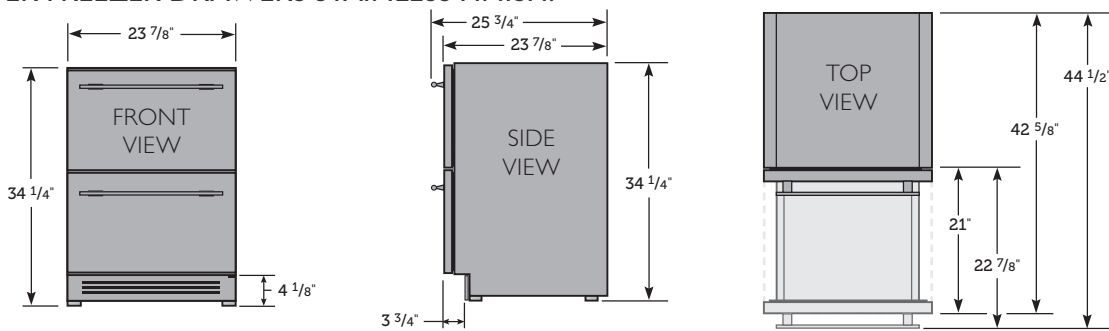
UNDERCOUNTER DOOR FREEZER STAINLESS FINISH:



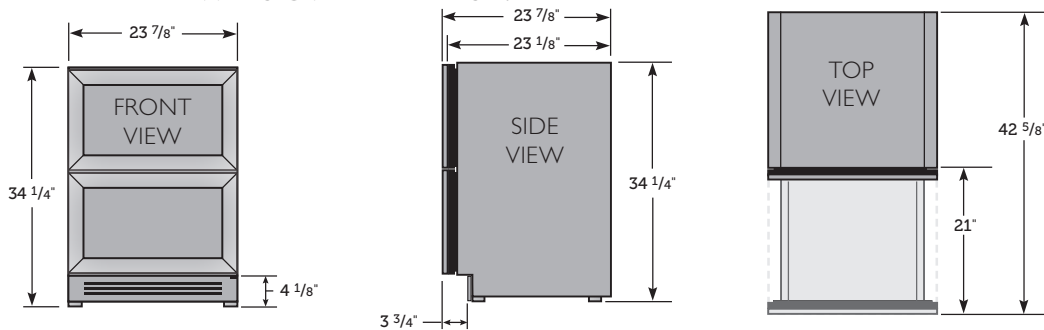
UNDERCOUNTER DOOR FREEZER OVERLAY FINISH: Shown with 3/4" Panel



UNDERCOUNTER FREEZER DRAWERS STAINLESS FINISH:



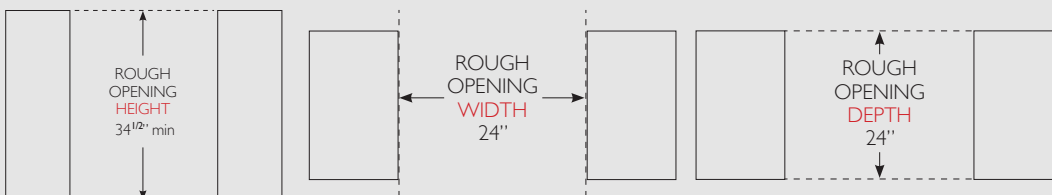
UNDERCOUNTER FREEZER DRAWERS OVERLAY FINISH:



Dimensions may vary by ± 1/8"

OPENING DIMENSIONS

Width	Depth†	Height
24"	24"	34 1/2"



SPECIFICATIONS

Width	23 7/8
Depth†	23 7/8
Height	34 1/4
Shelves (Door Models)	2 adjustable, durable, polished stainless steel shelves
Drawers (Drawer Models)	2
Opening Width	24"
Opening Depth	24"
Opening Height	34 1/2"
Crated Weight (Door Models)	185
Crated Weight (Drawer Models)	195

†Depth does not include 1 7/8" for door/drawer handle.