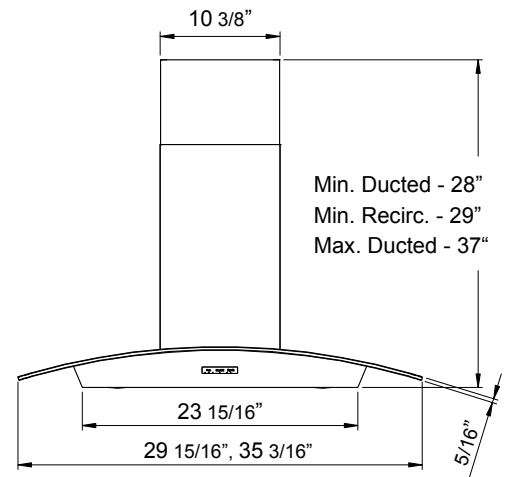
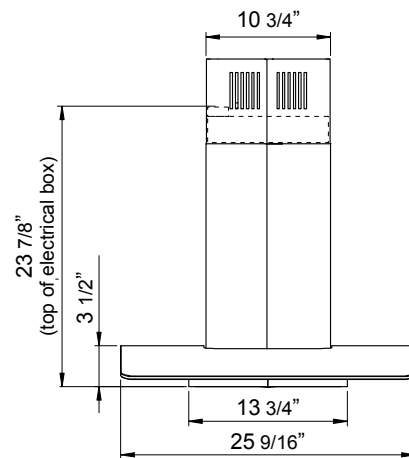


Brisas BML

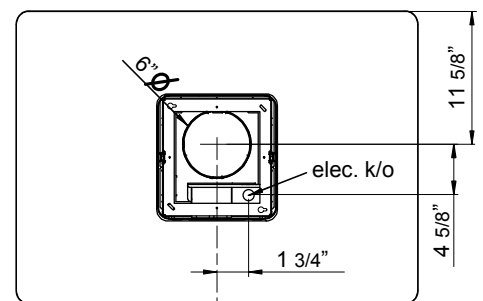
Designed with our unique 3-step installation system, Brisas BML can be installed in as little as 20 minutes! Broken down into 3 easy steps we've even added an installation template to help you align your ceiling marks without the guesswork. One look at the classic European design and gentle clear-glass curved canopy will have you sold. Love at first sight? Yes. It's possible.



FRONT



SIDE



TOP

Brisas BML

MODEL	BML-E30BG	BML-E36BG
Stainless Steel w/ Glass		
Size	30"	36"
Blower CFM	600	600
Sones	6	6
ACT 390 CFM	Yes	Yes
ACT 290 CFM	Yes	Yes
FEATURES		
ACT™ Technology	Yes	Yes
Controls	Capacitive Touch	Capacitive Touch
Speed Levels	3	3
Auto Delay-Off	Yes	Yes
Lighting	LED Light Strip, 5W x2	LED Light Strip, 5W x2
Dual-Level Lighting	Yes	Yes
Filters	Aluminum Mesh	Aluminum Mesh
3-Step Installation System	Yes	Yes
Recirculating Option	Yes	Yes
Extension Duct Cover Option	Yes, Up to 12' Ceiling	Yes, Up to 12' Ceiling
DUCT SPECIFICATIONS		
Vertical Internal Blower	6" Round	6" Round
Horizontal Internal Blower	NA	NA
AC POWER	325W, 2.7A	325W, 2.7A
AC POWER INPUT	120V - 60Hz	120V - 60Hz
OPTIONAL ACCESSORIES		
Recirculating Kit	BRC-0007	BRC-0007
Extension Duct Cover	B1C-00ML	B1C-00ML
MOUNTING HEIGHT RANGE*	24" - 34"	24" - 34"
WARRANTY	1 year parts, 1 year labor	1 year parts, 1 year labor

AIRFLOW CONTROL TECHNOLOGY™ (ACT™) is an exclusive feature built into the hood which can limit the maximum blower CFM to meet local code requirements.

*Mounting height refers to distance between top of a 36" tall cooking surface and bottom of hood.

MAY19.0101

